

# S300 EVO



**NEW S300 Evo: the fully hydraulic  
"contactless" tyre changer from Sice**



**Super-automatic tyre changer with NEW  
AUTOMATISMS for wheels from 14" to 35"**

The **new S 300 EVO** is new in **aesthetics** and in its **control console**, offering new features that will further enhance everyday work actions.

**Best tyre demounting and mounting technique** and **greater operating speed**.

**S 300 EVO** can work with extreme ease on any type of tyre, from **Runflat/UHP** tyres to **4WD extreme duty** tyres to softer tyres in sizes from **14" to 35"**.

Sice's experience and continuous research have made it possible to offer the **EVOLUTION of the S 300**.

- **New tool unit** in line with the top-of-the-range S 1000 model.
- **New working position**, much more ergonomic like the new control console.
- **New bead pressing tool**, now with its own structure connected to the solid casing, which makes it even more efficient and precise in the working stages.
- **New wheel lifter position**, in line with the best ergonomics the S 300 EVO has to offer.
- **New rapid tool arm disengagement** for faster operation and more space to manoeuvre.

The **S 300 EVO** will give you great satisfaction.

## DETAILS

### NEW TOOL UNIT

in line with the top-of-the-range Sice model. Top-class performance. The addition of the bead pressing roller streamlines the structure and speeds up the mounting phase.



The tool arm now features a **new quick release**, allowing it to be opened optimally for improved comfort and greater speed during operation.



### NEW BEAD PRESSING TOOL

Released from the shifting beam and with its own structure connected to the solid casing, it is irreplaceable, perfect and easy to use, capable of guaranteeing greater precision during work.

### LASER POINTER

The laser pointer helps increase positioning precision and repetitiveness, providing safety and making work faster



### NEW WORK POSITION,

It is in **Sice's DNA** to evolve its tyre changers while focusing on ergonomics and safeguarding the daily efforts of its customers.

The design of the new workspace allows for comfortable and effortless operation with no need to move around. **You will have all the controls at your fingertips.**

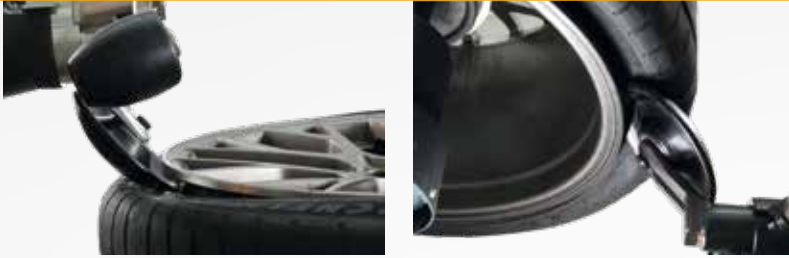
### CONTROL CONSOLE

We have dedicated a **TOTAL RESTYLING** to the control console, because Sice products have always been in step with the times. Furthermore, it is our belief that having state-of-the-art equipment increases the prestige of our customers' workshops.

You will find many compartments where you can conveniently store various accessories.



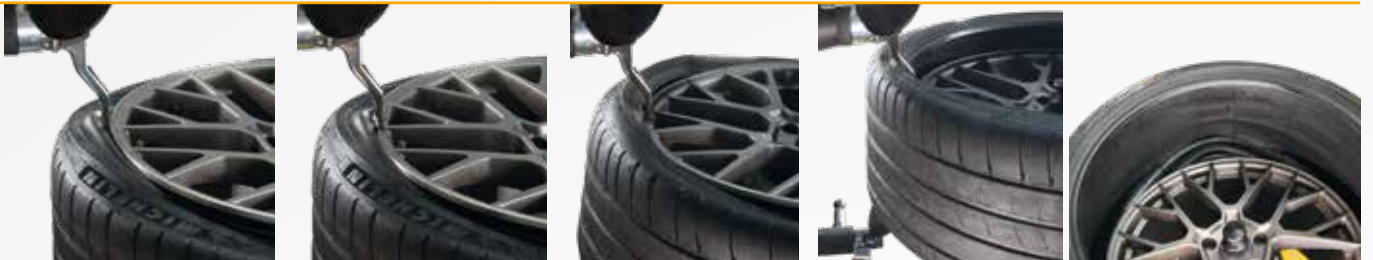
## BEAD BREAKING



## DEMOUNTING



## DEMOUNTING



## MOUNTING



The new **S 300 EVO** is available in 2 versions: **TOP version** and **M version**.

- 1 • increase in maximum rim size from 34" to **35"**
- 2 • reinforced horizontal guides for improved stability and rigidity of the tool holder column
- 3 • new hydraulic unit & double carriage transfer speed

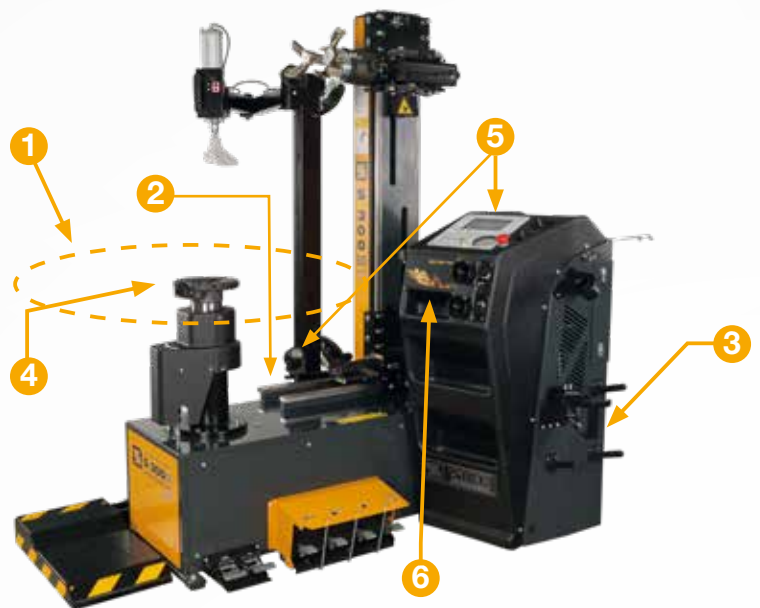
### AUTOMATISMS - TOP VERSION

- Control for deep bead breaking. The disc approaches the bead seat on the rim.
- "Bead engagement" control, the demounting tool head moves towards the rim.
- Rim shoulder overlap control for easier demounting of the tyre from the rim.

4 • Hydraulic clamping **chuck**

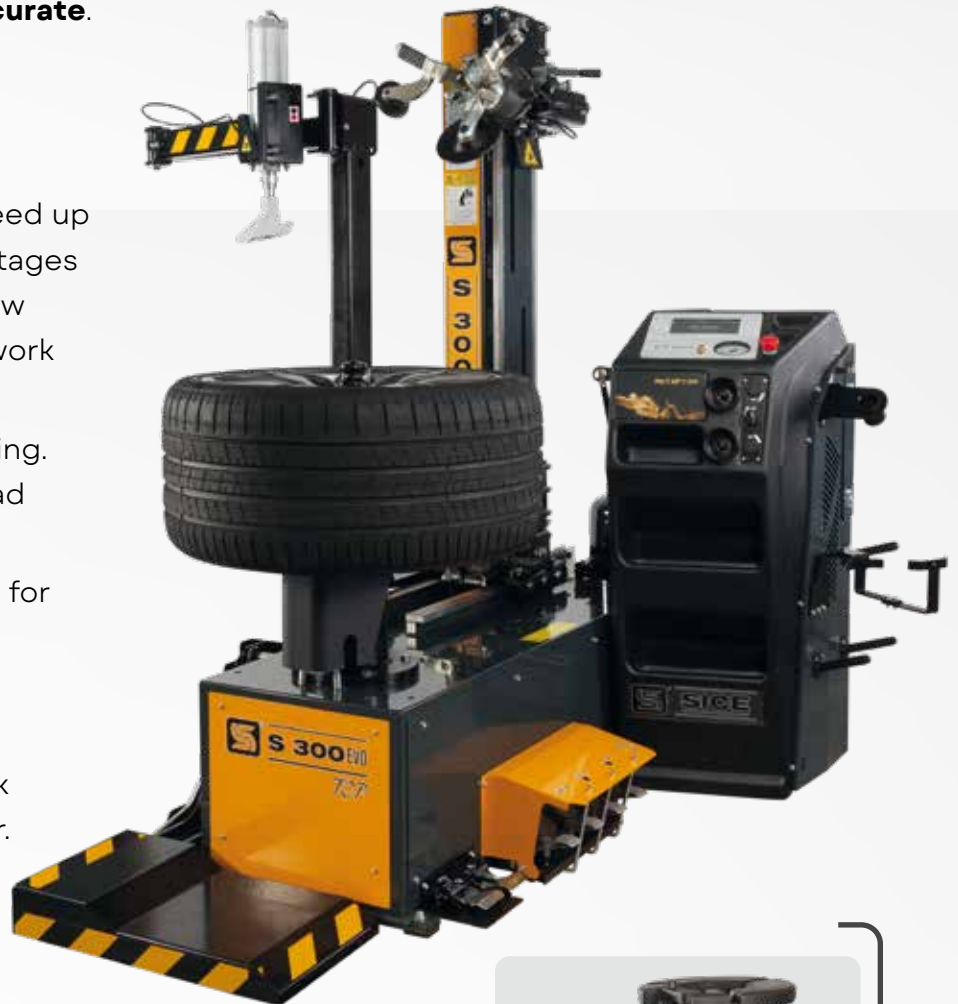
5 • **Camera** and **touch-screen display**

6 • **Inflatron**



## TOP VERSION

- New hydraulically operated wheel clamping. **Fast, reliable and accurate.**
- Two tool unit transfer speeds
- Laser pointer
- **New automatism** have been introduced to facilitate and speed up the most critical and delicate stages of wheel demounting. These new "skills" support the operator's work perfectly and without risk.
  - a) Control for deep bead breaking. The disc approaches the bead seat on the rim.
  - b) Rim shoulder overlap control for tyre demounting.
- Console dashboard with 7" **colour touchscreen Display**
- Camera to easily display all work steps on the lower rim shoulder.



- **Inflatron** electronic inflation device (standard)
- Pneumatic bead pressing tool (standard)
- Front wheel lifter (optional)
- **GT EVO** tubeless tyre inflation system (optional)



## M VERSION

- Manual wheel clamping
- Two tool unit transfer speeds
- Laser pointer
- Variable wheel lifting height.  
Thanks to the 2 working positions the S 300 EVO now offers unrivalled working comfort.
- Essential and ergonomic console dashboard.
- Pneumatic bead pressing tool (standard)
- Front wheel lifter (optional)
- GT EVO tubeless tyre inflation system (optional)



### **WHEEL LIFTER** (optional)

**New position** of the wheel lifter, in line with the new work ergonomics.

The new frontal position allows comfortable operation while keeping everything under control.

### **NEW RAPID GP EVO TUBELESS INFLATION SYSTEM** (optional)

It can be operated with just one hand.



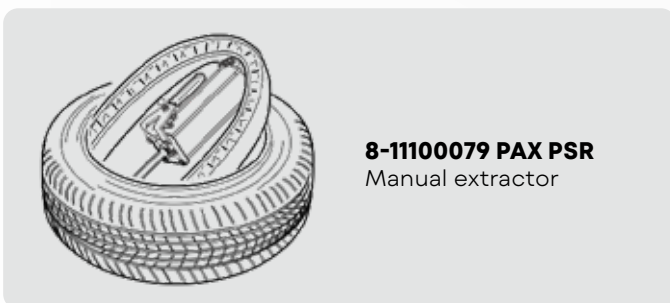
## STANDARD SUPPLY



## RECOMMENDED ACCESSORIES



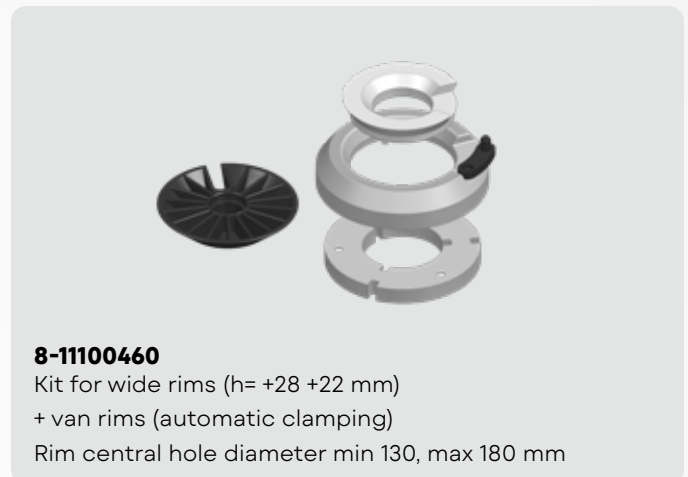
**8-11400199 KPX300**  
Pax wheel kit.



**8-11100079 PAX PSR**  
Manual extractor



**8-11100473 WL80 Evo**  
Front wheel lifter



**8-11100460**  
Kit for wide rims (h= +28 +22 mm)  
+ van rims (automatic clamping)  
Rim central hole diameter min 130, max 180 mm

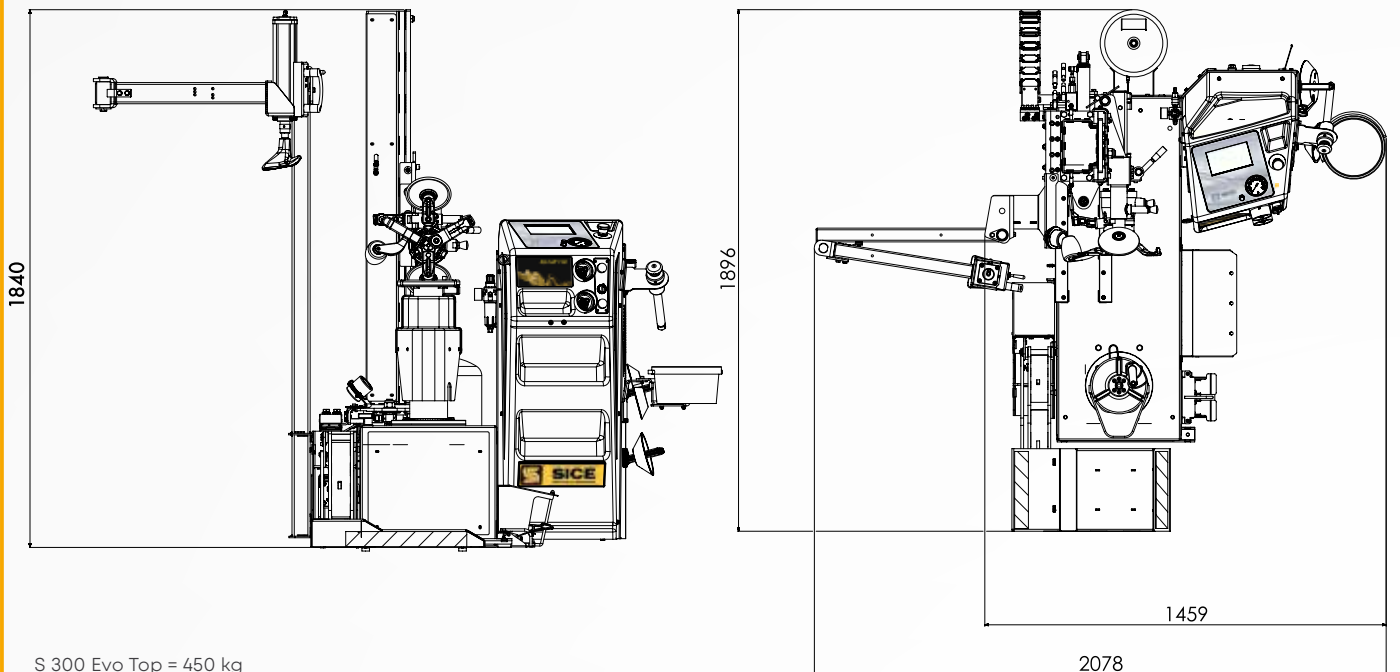


**8-11100474 GT EVO**  
Tubeless inflation.

## TECHNICAL DATA

Maximum wheel diameter	1250 mm (49")
Maximum wheel width	420 mm (16.5")
Rim diameter	14" ÷ 35"
Bead breaking force	9000 N
<b>Electro-hydraulic self-centering chuck</b>	
Clamping	automatic hydraulic (TOP) / manual (M)
Rotation torque	1200 Nm
Inverter motor drive	2V
Rotation speed	7-18 rpm
<b>Wheel lifter</b>	80 kg
<b>Power supply</b>	
Hydraulic control unit	230V-1Ph -0.75 kW 50Hz/60 Hz Inverter motor
Wheel rotation	230V-1Ph -0.75 kW 50Hz/60 Hz Inverter motor
Operating pneumatic pressure	8-10 bar
Operating hydraulic pressure	120 bar
Weighted sound pressure level	A (LpA) < 70 dB(A)
Power supply	200/230V - 1Ph - 50/60Hz IM

## OVERALL SIZE



The manufacturer reserves the right to modify the features of its products at any time.