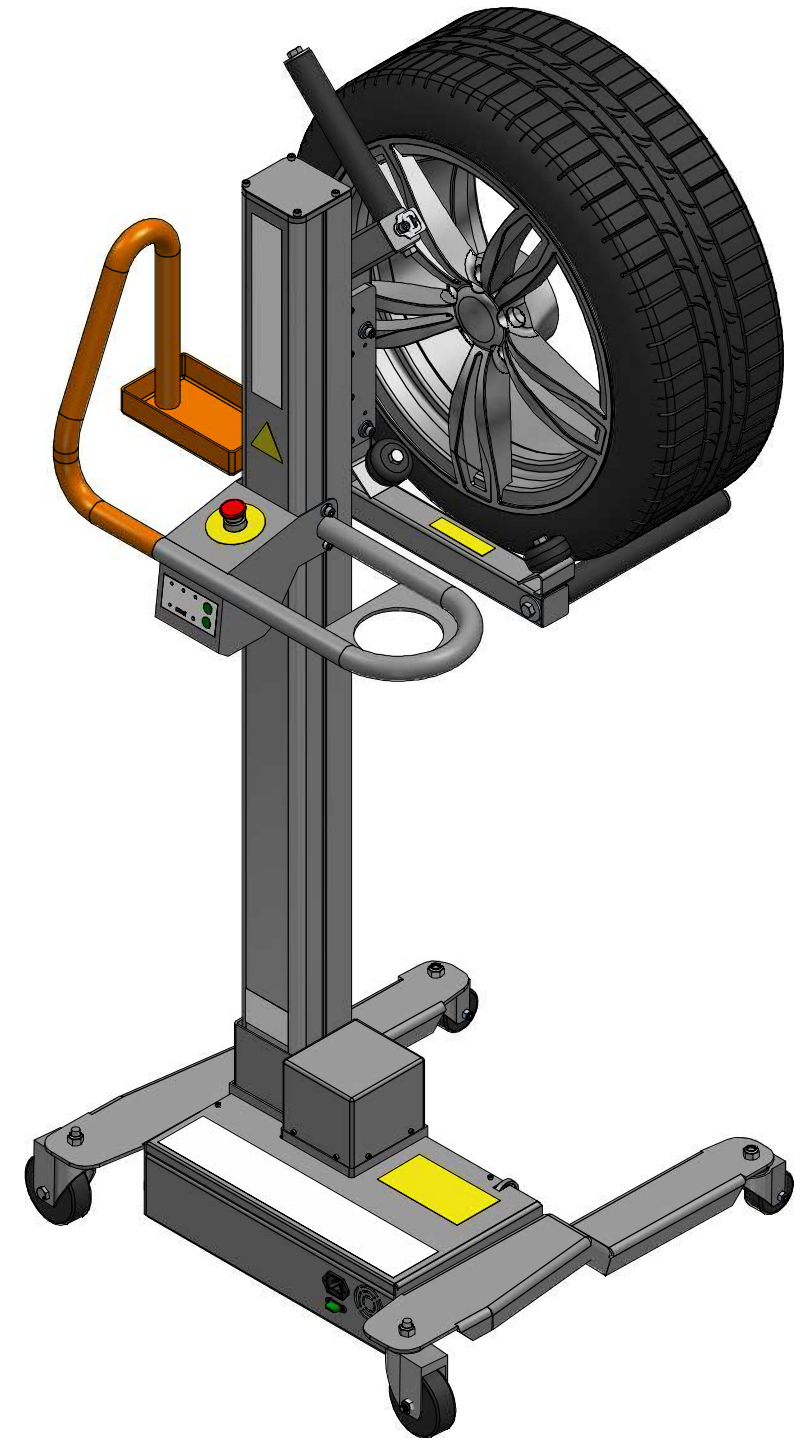
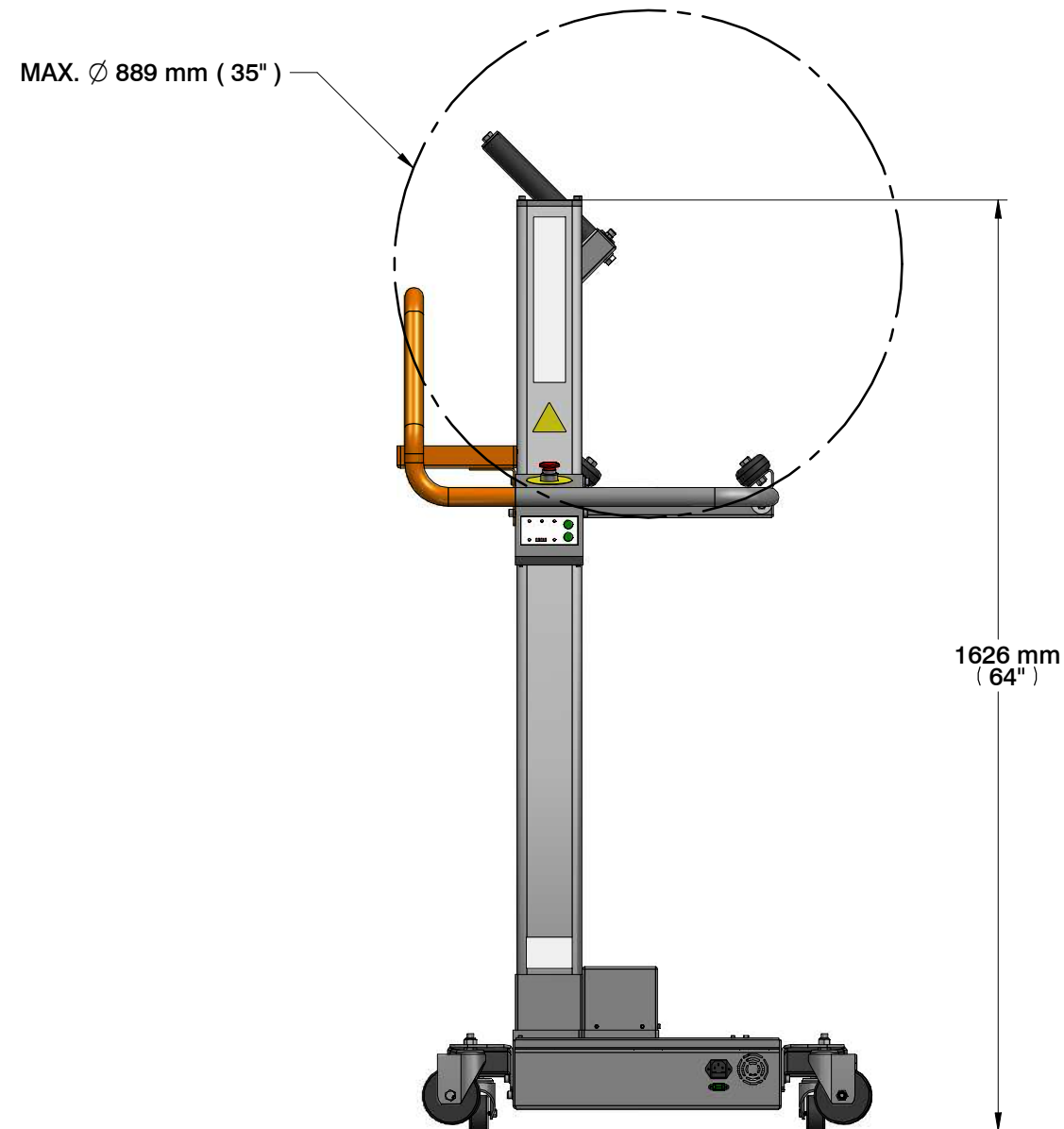
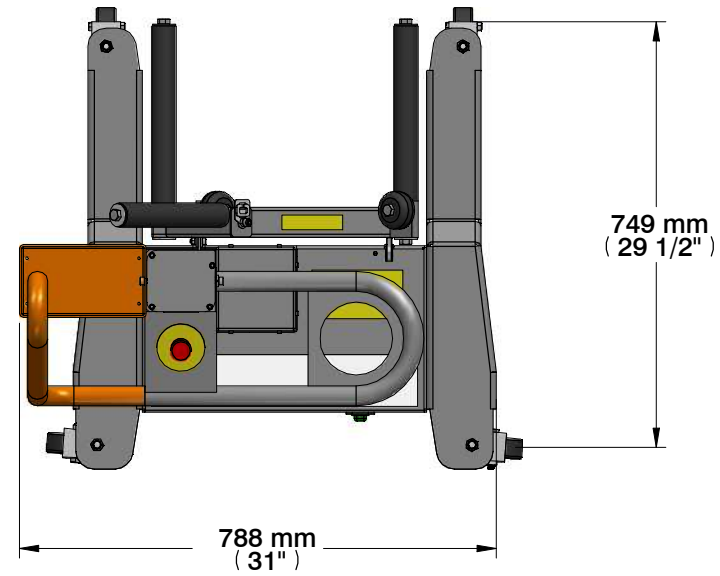
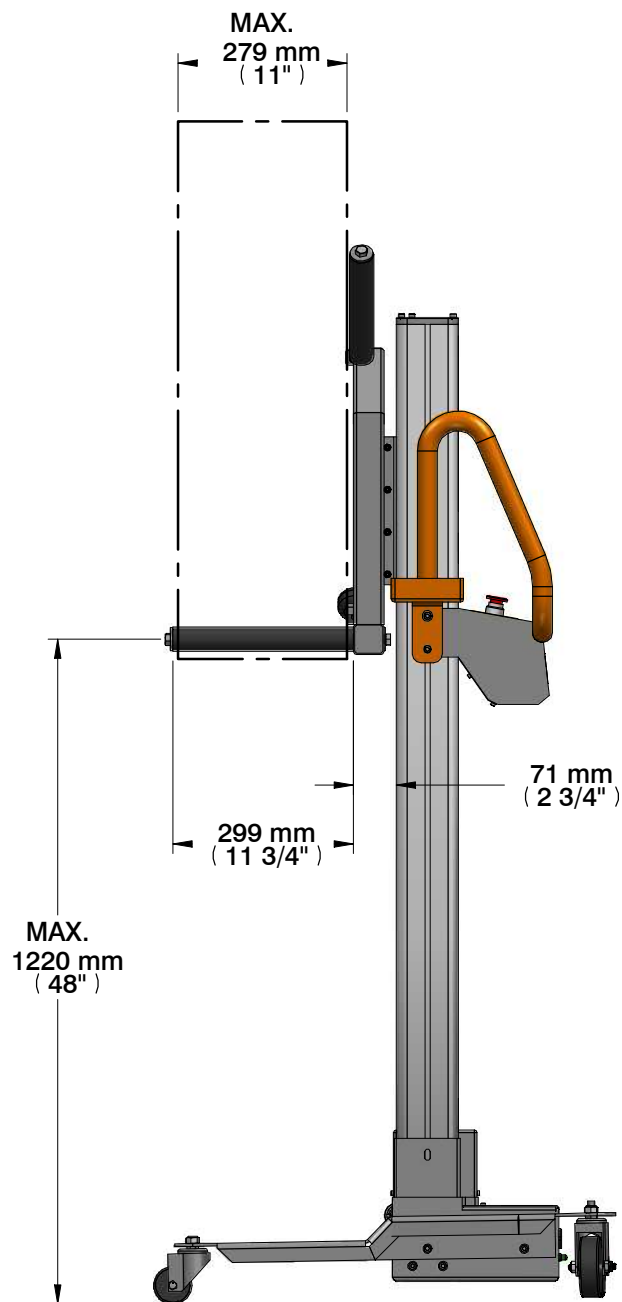


WEIGHT	67 kg / 147 lb
TIRES CAPACITY	1
LOAD CAPACITY	65 kg / 143 lb

THIS DRAWING AND THE INFORMATION CONTAINED IN THIS DOCUMENT IS THE PROPERTY OF INDUSTRIES MARTINS INC. AND SHALL NOT BE REPRODUCED, COPIED, MODIFIED, OR USED WITHOUT THE WRITTEN PERMISSION OF INDUSTRIES MARTINS INC.



WEIGHT	67 kg / 147 lb
TIRES CAPACITY	1
LOAD CAPACITY	65 kg / 143 lb

THIS DRAWING AND THE INFORMATION CONTAINED IN THIS DOCUMENT IS THE PROPERTY OF INDUSTRIES MARTINS INC. AND SHALL NOT BE REPRODUCED, COPIED, MODIFIED, OR USED WITHOUT THE WRITTEN PERMISSION OF INDUSTRIES MARTINS INC.

