

PQC 50 CT LT

*Lista Componenti*  
*List of components*  
*Ersatzteilliste*  
*Lista de lo Componentes*



**SICE**  
AUTOMOTIVE EQUIPMENT

Ed. 05/2017

F

Dans ce document, les pièces de rechange préconisées sont soulignées en gris, tandis que les références différentes par rapport à la version précédente du 09/13 sont en gras

I

Sul presente documento sono stati evidenziati con colore grigio i ricambi consigliati e indicati in grassetto i codici che sono variati rispetto a quelli riportati nella precedente versione del 09/13

E

En este documento se nos ha puesto de manifiesto con la recomendada de color gris y piezas de repuesto se indica en negrita códigos que son variados con respecto a los reportados en la versión anterior del 09/13

En

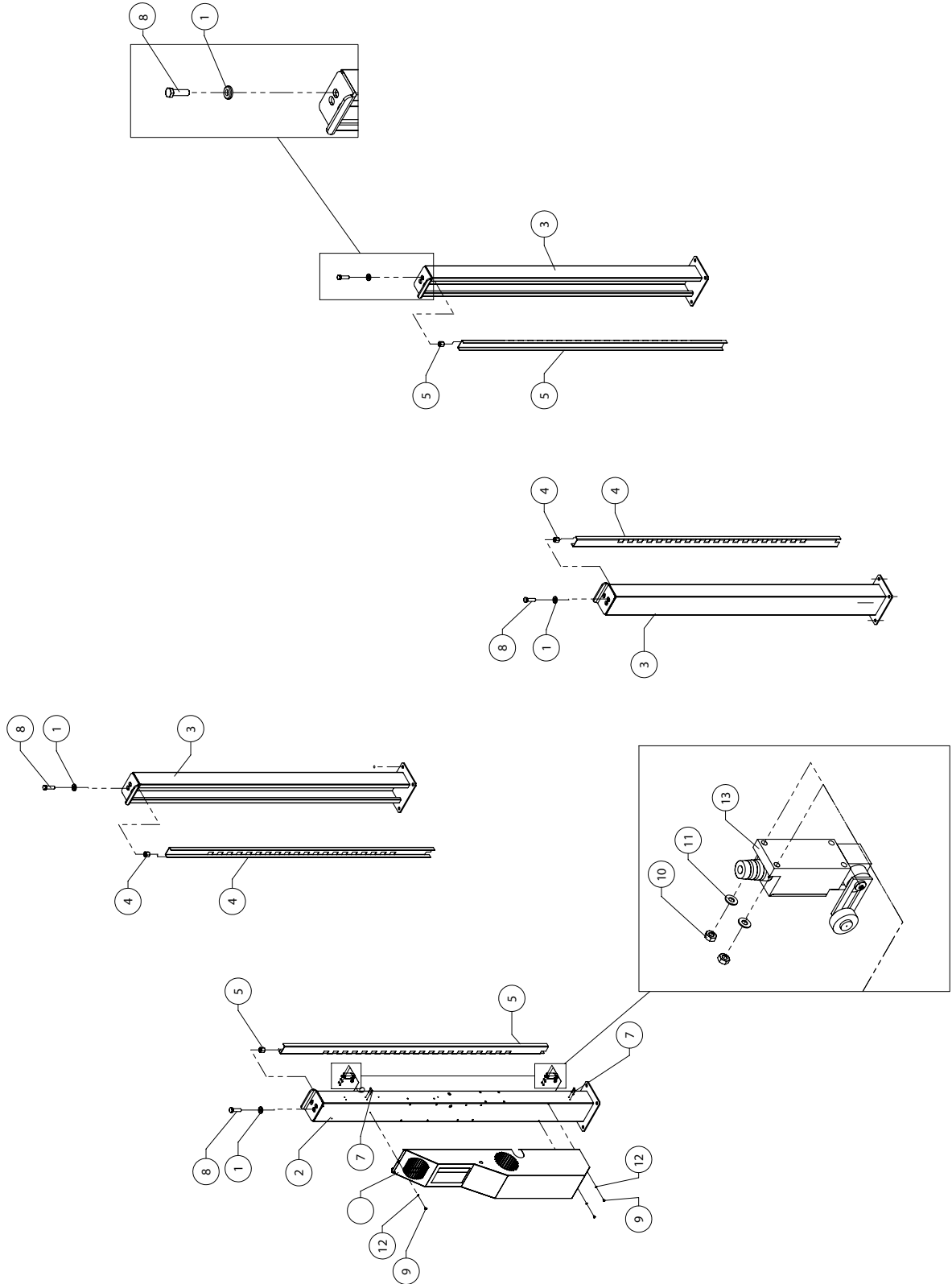
In this document, the recommended spare parts have been highlighted in gray, while in bold you find those codes which are different if compared with the previous version dated 09/13

De

Im vorliegenden Dokument wurden die empfohlenen Ersatzteile in grauer Farbe hervorgehoben; die Teilenummern in Fettdruck haben sich beziehend auf die vorherige Version vom 09/13 geändert.

P

No presente documento, foram destacadas com cor cinza recomendado peças de reposição e indicou em códigos ousadas que são variados com relação aos relatados na versão anterior do 09/13



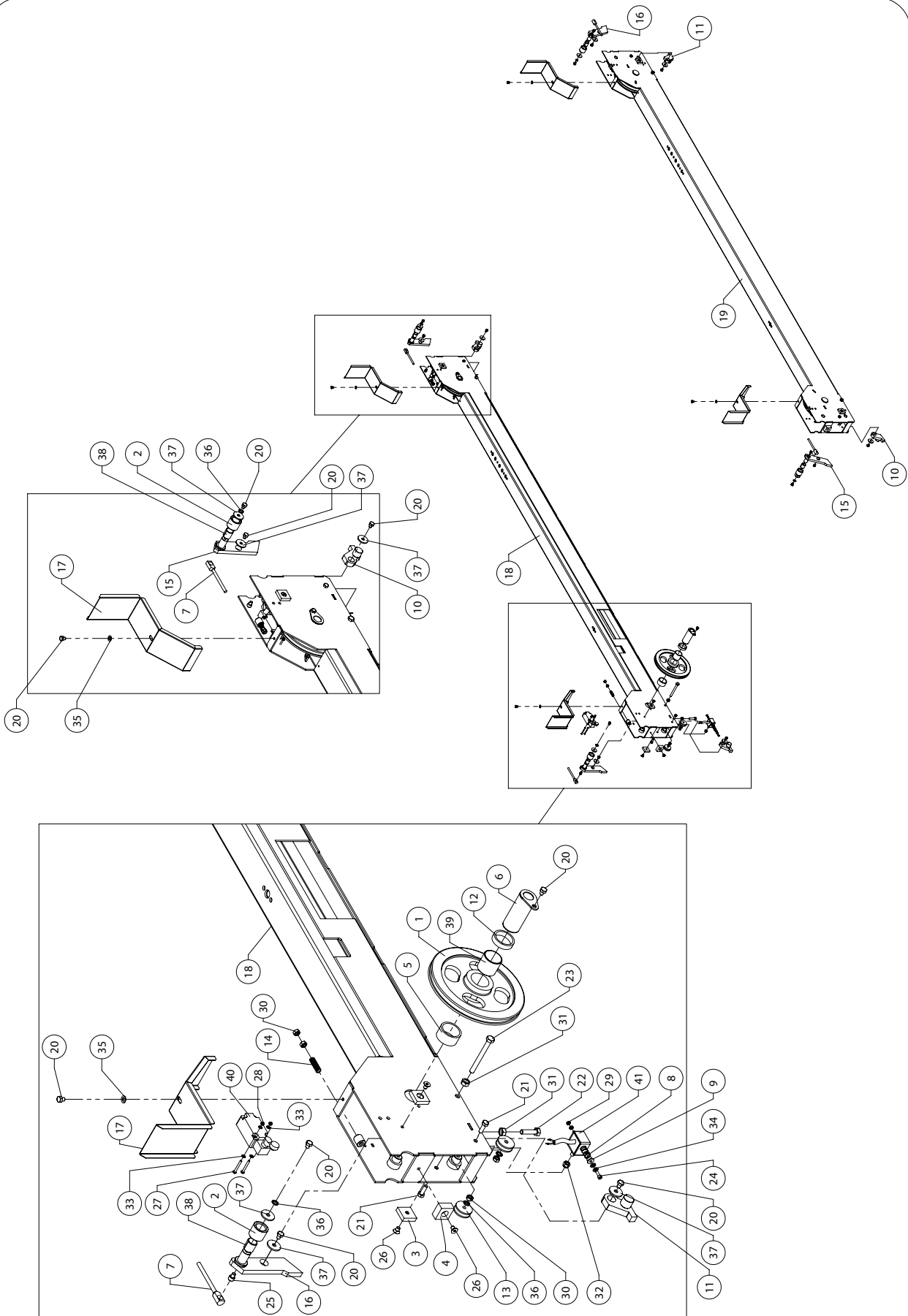


**PQC 50 CT LT**

**08/11**

**COLONNE  
COLUMNS**

1	4-111674	RONDELLA	WASHER
2	4-111689	COLONNA	PILLAR
3	4-111698	COLONNA	PILLAR
4	4-111702	ASTA	ROD
5	4-111708	ASTA	ROD
6	4-115520	CARTER	COVER
7	4-111713	VITE	SCREW
8	4-111723	VITE	SCREW
9	4-115709	VITE	SCREW
10	4-111460	DADO	NUT
11	4-111465	RONDELLA	WASHER
12	4-111728	RONDELLA	WASHER
13	4-111675	MICROINTERRUTTORE	MICROSWITCH



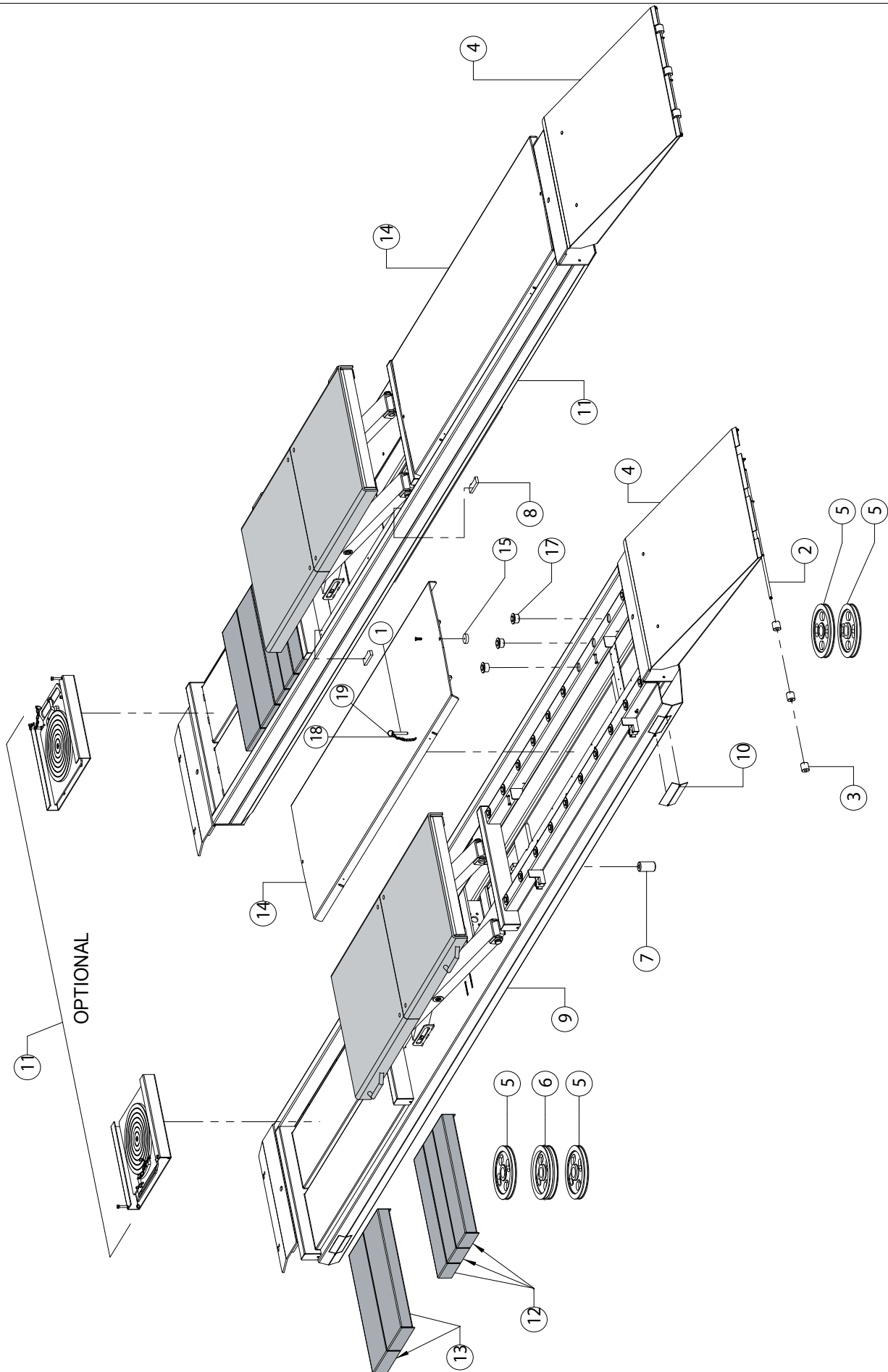


PQC 50 CT LT

08/11

TRAVERSE  
CROSSBARS

1	4-112256	PULEGGIA	PULLEY
2	4-112257	RULLO	ROLLER
3	4-112297	PATTINO	SLIDING BLOCK
4	4-112258	PATTINO	SLIDING BLOCK
5	4-112280	DISTANZIALE	SPACER
6	4-112259	PERNO	PIN
7	4-112260	TIRANTE	TIE
8	4-112261	MOLLA	SPRING
9	4-112262	PORTAMOLLA	SPRING SUPPORT
10	4-112263	SICURA	SAFETY
11	4-112264	SICURA	SAFETY
12	4-112268	DISTANZIALE	SPACER
13	4-112269	TONDO	ROUND STEEL
14	4-112270	MOLLA	SPRING
15	4-112271	LEVA	CRANK
16	4-112272	LEVA	CRANK
17	4-115515	CARTER	COVER
18	4-115528	TRAVERSA	TRAVERSE
19	4-115534	TRAVERSA	TRAVERSE
20	4-111871	VITE	SCREW
21	4-111822	VITE	SCREW
22	4-112138	VITE	SCREW
23	4-112273	VITE	SCREW
24	4-112274	VITE	SCREW
25	4-111709	VITE	SCREW
26	4-112275	VITE	SCREW
27	4-111914	VITE	SCREW
28	4-111460	DADO	NUT
29	4-111461	DADO	NUT
30	4-111462	DADO	NUT
31	4-111463	DADO	NUT
32	4-112277	DADO	NUT
33	4-111465	RONDELLA	WASHER
34	4-111728	RONDELLA	WASHER
35	4-111466	RONDELLA	WASHER
36	4-111467	RONDELLA	WASHER
37	4-111472	RONDELLA	WASHER
38	4-112278	BUSSOLA	BUSH
39	4-112317	BUSSOLA	BUSH
40	4-111838	MICROINTERRUPTORE	MICROSWITCH
41	4-112238	ELETTROMAGNETE	ELECTROMAGNET





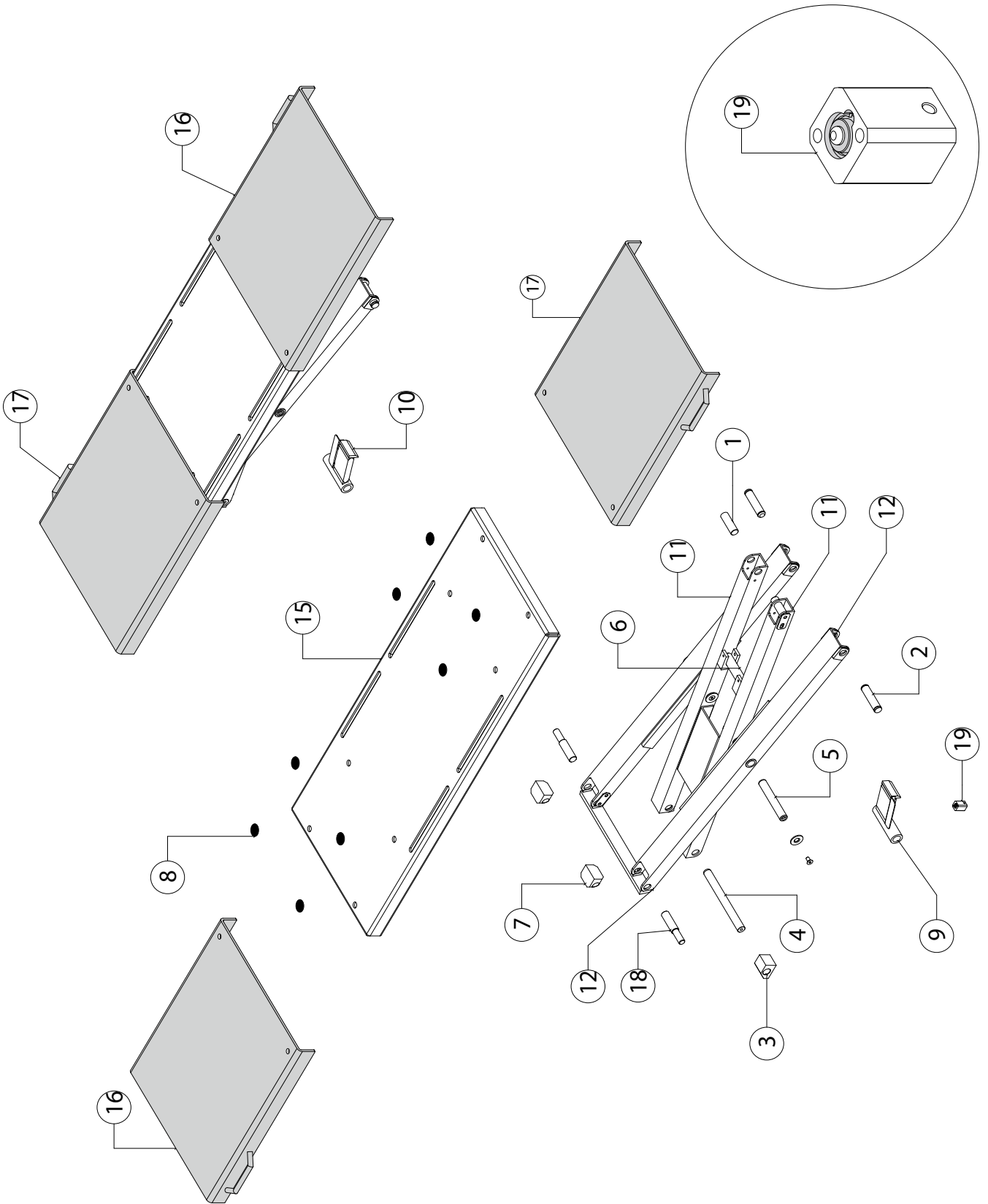
PQC 50 CT LT

09/13

PEDANE  
PLATES

1	4-130536	PERNO	PIN
2	4-130537	PERNO	PIN
3	4-130538	RULLO	ROLLER
4	4100780	RAMPA	RAMP
5	4-111683	PULEGGIA	PULLEY
6	4-111684	PULEGGIA	PULLEY
7	4-115513	BUSSOLA	
8	4-117937	PATTINO	SLIDING BLOCK
9	4-115542	PEDANA	PLATFORM
10	4-115846	PIASTRINA	PLATE
11	4-115576	PEDANA	PLATFORM
12	4-117935	COPERTURA	COVER
13	4-117936	COPERTURA	COVER
14	4-115624	PIANO OSCILLANTE	FLOATING FLOOR
15	4-115629	DISCO	DISK
16	8-33100102	SET PIATTO ROTANTE	SET ROTATING PLATES
17	4-114892	SFERA PORTANTE	BALL BEARING
18	4-111724	CATENA	CHAIN
19	4-111727	ANELLO	RING





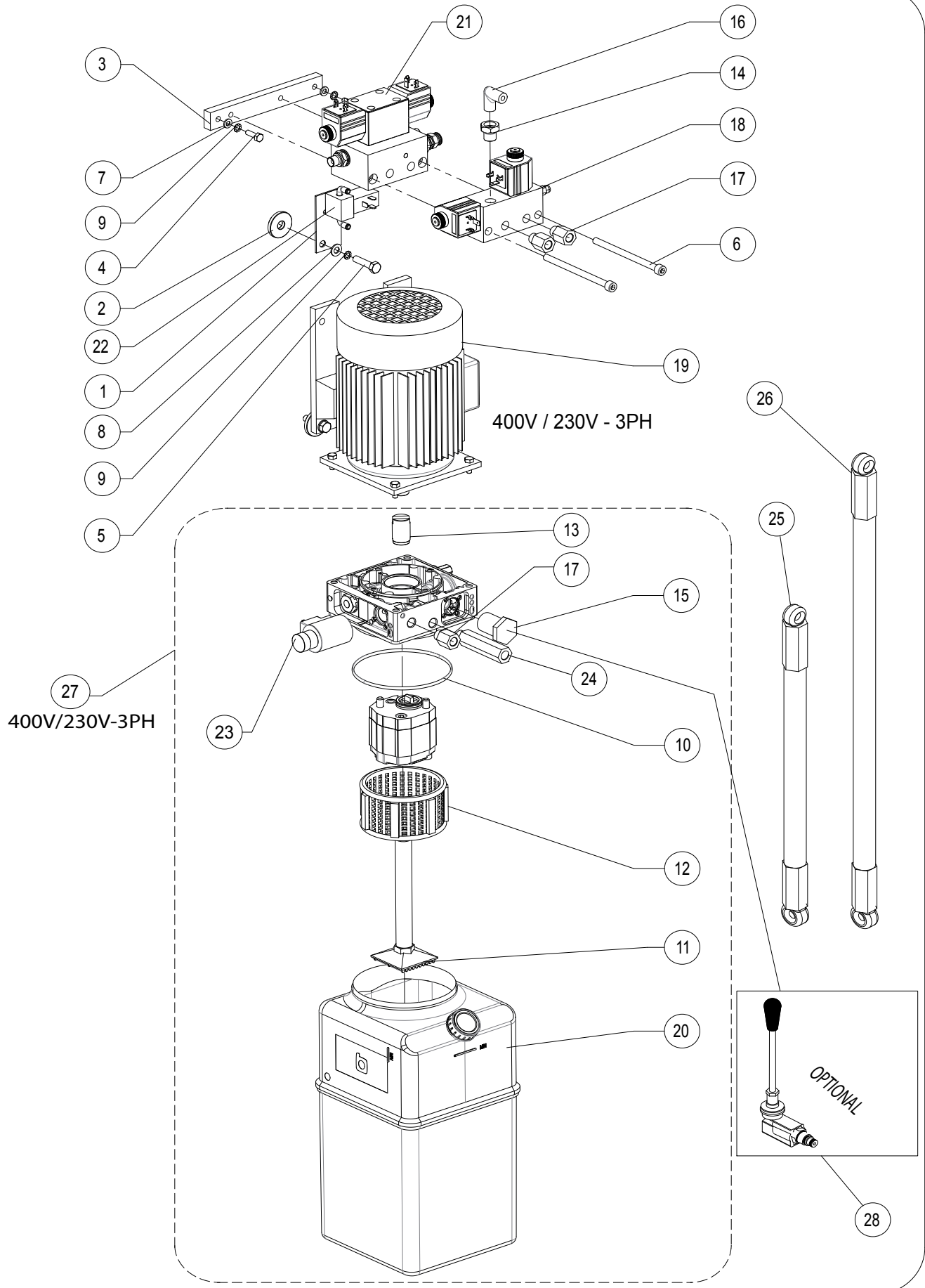


PQC 50 CT LT

01/17

TORRETTE  
LIFT TABLE

1	4-111396	PIASTRA	PLATE
2	4-130540	PERNO	PIN
3	4-115521	ATTACCO MOBILE	MOBILE ATTACK
4	4-115522	PERNO	PIN
5	4-115523	PERNO	PIN
6	4-115526	PERNO	PIN
7	4-117778	ATTACCO MOBILE	MOBILE ATTACK
8	4-117779	PATTINO	SLIDING BLOCK
9	<b>4-121753</b>	SICURA TORRETTA P1	SAFE TOWER P1
10	<b>4-121754</b>	SICURA TORRETTA P2	SAFE TOWER P2
11	4-115602	SALDATO BIELLA INTERNA	INSIDE WELDED ROD
12	4-115612	SALDATO BIELLA ESTERNA	EXTERNAL WELDED ROD
13	4-117780	RINFORZO	REINFORCEMENT
14	4-115614	SALDATO BIELLA	WELDED ROD
15	4-117781	PEDANA TORRETTA	PLATE LIFT TABLE
16	4-117782	ESTENSIONE DX	EXTENSION DX
17	4-117783	ESTENSIONE SX	EXTENSION SX
18	4-117784	ANTI RIBALTAMENTO	ANTI TIPPING
19	4-117785	CILINDRO	CYLINDER



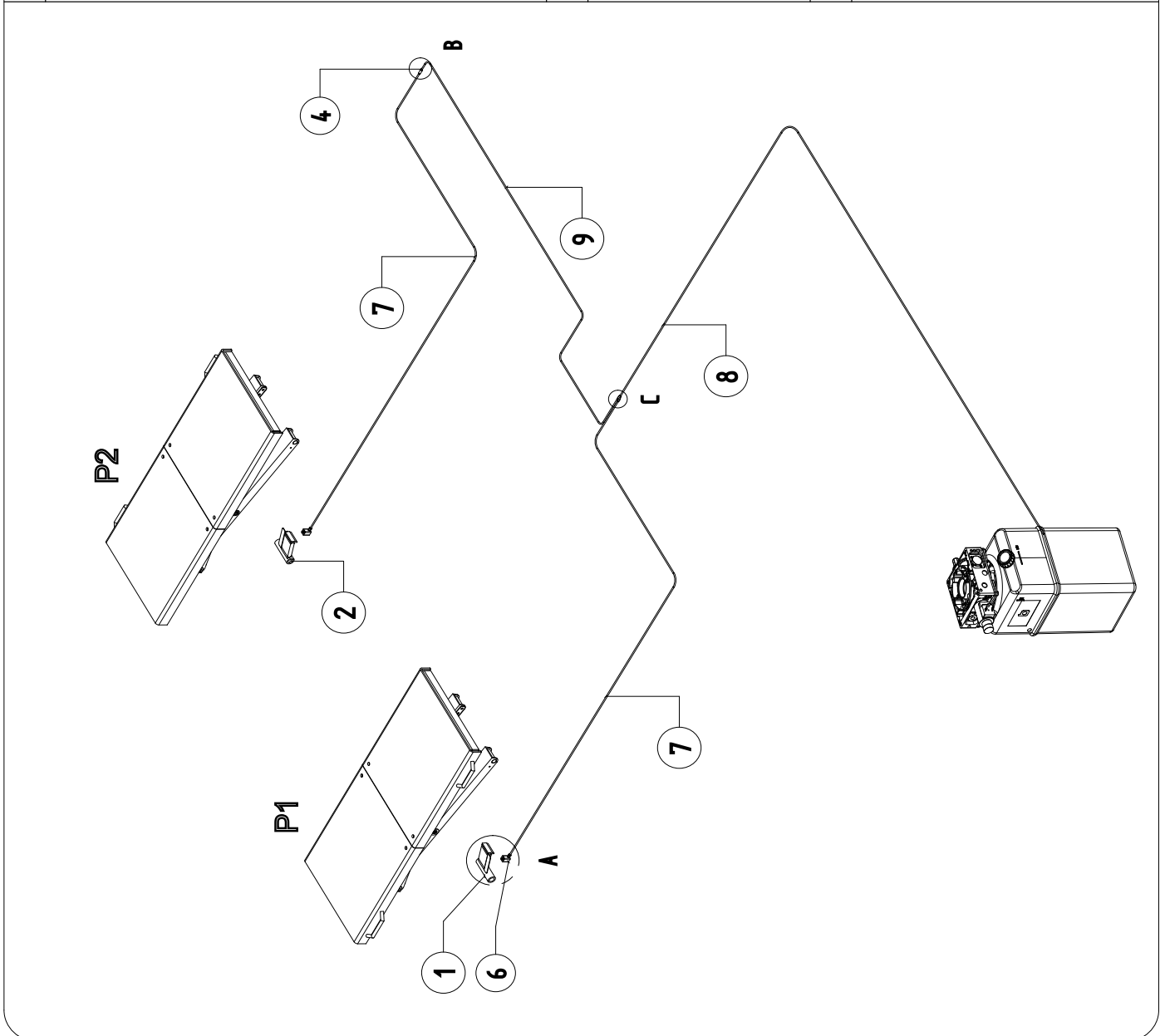
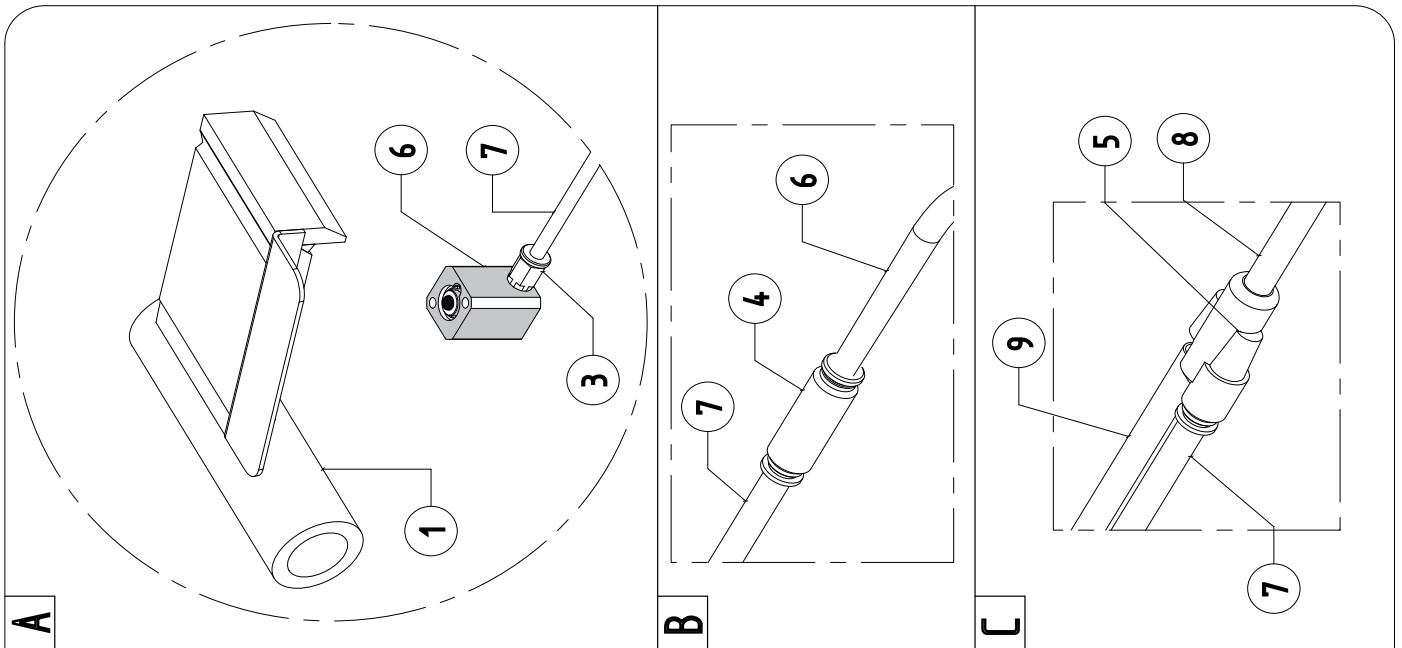


PQC 50 CT LT

03/13

MOTORE  
MOTOR

1	4-111984	PIASTRA	PLATE
2	4-111437	RONDELLA	SPACER
3	4-115517	STAFFA	BRACKET
4	4-115698	VITE	SCREW
5	4-111451	VITE	SCREW
6	4-115850	VITE	SCREW
7	4-111728	RONDELLA	WASHER
8	4-111466	RONDELLA	WASHER
9	4-111885	RONDELLA	WASHER
10	4-111962	GUARNIZIONE	GASKET
11	4-111952	FILTRO	FILTER
12	4-111953	FILTRO	FILTER
13	4-111960	GIUNTO	JOINT
14	4-114915	RIDUZ. M3/8-F1/4	REDUCTION. M3/8-F1/4
15	4-111900	TAPPO	CAP
16	4-111874	ADATTATORE	ADAPTER
17	4-112015	PROLUNGA	EXTENSION
18	4-115751	BLOCCO	BLOCK
19	4-111500	MOTORE	MOTOR
20	4-111889	SERBATOIO	RESERVOIR
21	4-115758	BLOCCO CETOP	BLOCK CETOP
22	4-111502	ELETTROVALVOLA	PNEUMATIC VALVE
23	4-111963	KIT ELETTROVALVOLE	SOLENOID VALVE KIT
24	4-111732	COLONNETTA	PILLAR
25	4-117790	TUBO	PIPE
26	4-117791	TUBO	PIPE
27	4-111499	CENTRALINA 400V-230V/3PH	POWER PACK 400V-230V/3PH
28	4-111989	POMPA MANUALE	MANUAL PUMP





PQC 50 CT LT

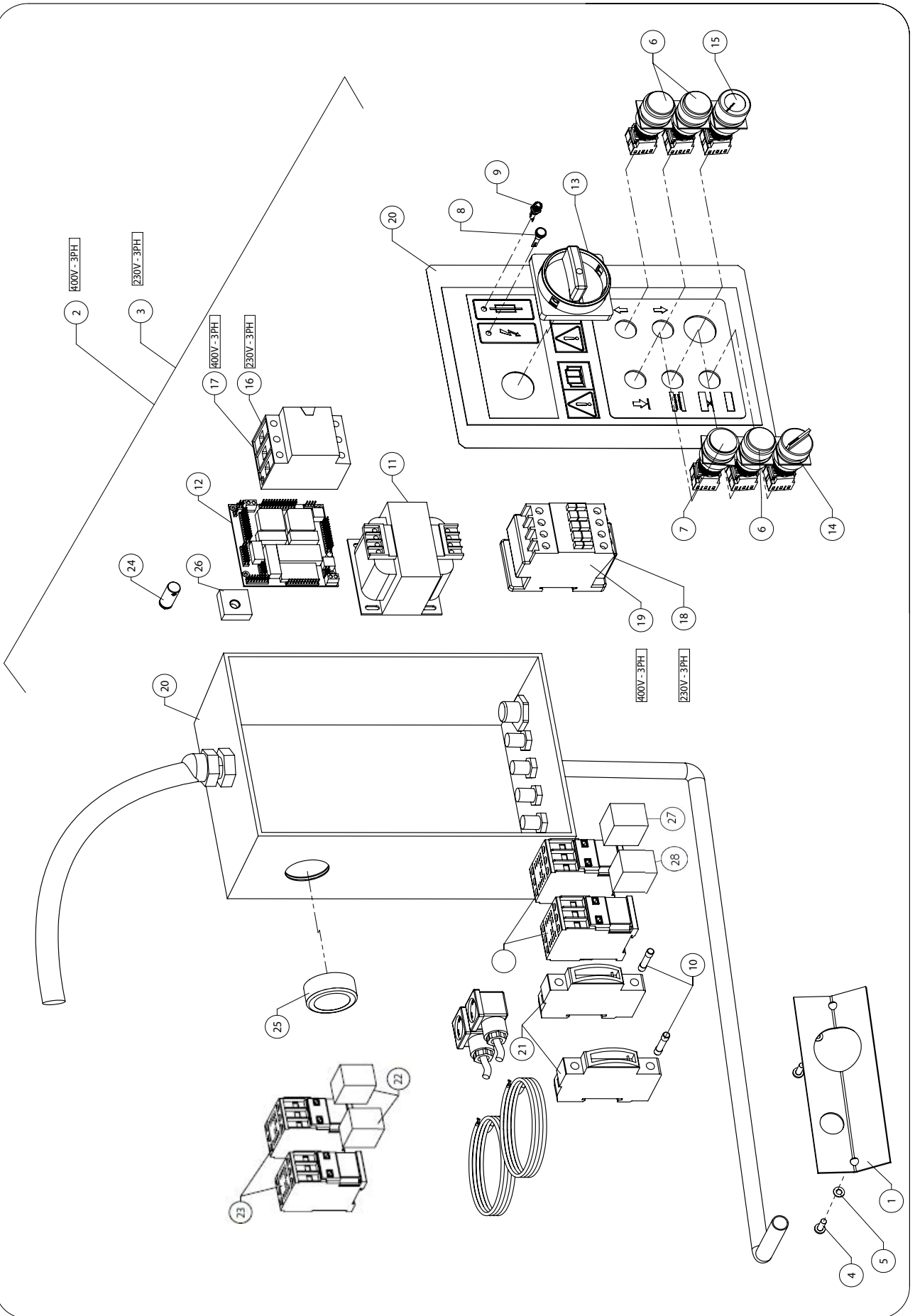
01/17

SET  
PNEUMATICO  
PNEUMATIC  
SET

1	4-121753	SICURA TORRETTA P1	SAFE TOWER P1
2	4-121754	SICURA TORRETTA P2	SAFE TOWER P2
3	4-117786	RACCORDO	CONNECTOR
4	4-112169	RACCORDO	CONNECTOR
5	4-112470	RACCORDO	CONNECTOR
6	4-117785	CILINDRO	CYLINDER
7	4-114513	TUBO	PIPE
8	4-115739	TUBO RYLSAN	PIPE RYLSAN
9	4-115740	TUBO RYLSAN	PIPE RYLSAN

Ed. 01/17

QUADRO ELETRICO





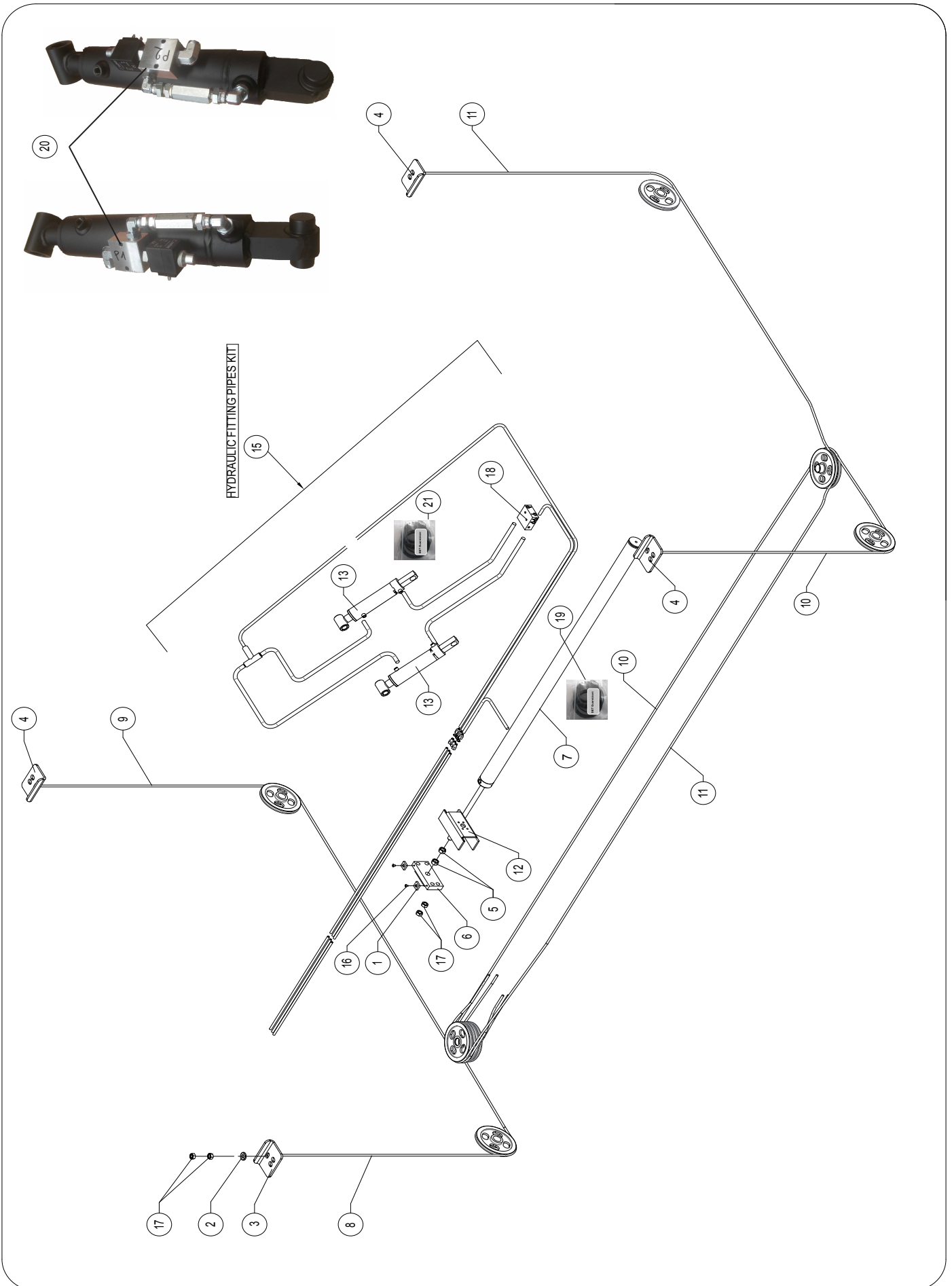
PQC 50 CT LT

01/17

QUADRO  
ELECTRICAL  
CONTROL  
PANEL

1	4-115569	PIASTRA	PLATE
2	4-115631	QUADRO	ELECTRICAL CONTROL
3	4-115632	QUADRO	PANEL
4	4-111750	VITE	ELECTRICAL CONTROL
5	4-111834	RONDELLA	PANEL
6	4-112060	PULSANTE	SCREW
7	4-112243	PULSANTE	WASHER
8	4-111971	LAMPADA	PUSH BUTTON
9	4-112065	FUSIBILE	BUTTON
10	4-112245	FUSIBILE	PRESENCE LIGHT
11	4-112246	TRASFORMATORE	FUSE
12	4-115757	SCHEDA	FUSE
13	4-111786	MANIGLIA	TRANSFORMER
14	4-115761	SELETTORE	BOARD
15	4-115762	SELETTORE	HANDLE
16	4-111794	MAGNETOTERMICO	SELECTOR
17	4-111972	MAGNETOTERMICO	SELECTOR
18	4-111940	CONTATTORE	BREAKER
19	4-112247	CONTATTORE	BREAKER
20	4-115765	SCATOLA	CONTACTOR
21	4-111788	PORTAFUSIBILE	CONTACTOR
22	4-112249	RELE	BOX
23	4-112250	ZOCCOLO	RELAIS
24	4-112251	CONDENSATORE	BASE
25	4-112252 NO LT 4-112089 X LT	CICALINO	CAPACITOR
26	4-112253	PONTE	BUZZER
27	<b>3-02806</b>	RELE	RECTIFIER
28	<b>3-03594</b>	RELE	RELAIS







PQC 50 CT LT

01/17

KIT  
OLEODINAMICO  
OLEODINAMIC  
KIT

1	4-112297	PATTINO	SLIDING BLOCK
2	4-111674	RONDELLA	WASHER
3	4-111689	COLONNA	PILLAR
4	4-111698	COLONNA	PILLAR
5	4-111679	DADO	NUT
6	4-111739	PIASTRA	PLATE
7	4-111740	CILINDRO	CYLINDER
8	4-114065	FUNE	ROPE
9	4-114066	FUNE	ROPE
10	4-114067	FUNE	ROPE
11	4-114068	FUNE	ROPE
12	4-115558	ATTACCO CILINDRO	MOUNT CYLINDER LT
13	4-115617	CILINDRO LT	CYLINDER
15	4-115851	KIT RACCORDI	UNIONS KIT
16	4-112275	VITE	SCREW
17	4-111682	DADO	NUT
18	4-114195	DIVISORE	DIVIDER
<b>19</b>	<b>4-111678</b>	SET GUARNIZIONI pos.7	GASKET SET pos.7
20	M9411019	BLOCCO+ELETTROVALV.	BLOCK+SOLENOID VALVE
<b>21</b>	<b>M9914205</b>	SET GUARNIZIONI pos.13	GASKET SET pos.13

A large rectangular area containing 20 horizontal dotted lines, spaced evenly down the page, intended for writing or drawing.



**SICE**  
AUTOMOTIVE EQUIPMENT

**Nexion Engineering Srl**

Via Modena, 34 - 42015 CORREGGIO (R.E.) - ITALY

Tel. (0522) 693640

Fax (0522) 642882

E-mail: [sice@sice.it](mailto:sice@sice.it)

Internet: <http://www.sice.it>