

# S300

## MANUALE PER IL PERSONALE TECNICO TECHNICAL MANUAL

### Comprende:

- Esploso con elenco ricambi
- Schema elettrico
- Schema pneumatico
- Schema oleodinamico

### *Includes:*

- *Exploded view with spare parts list*
- *Wire diagram*
- *Pneumatic diagram*
- *Oleodynamic diagram*



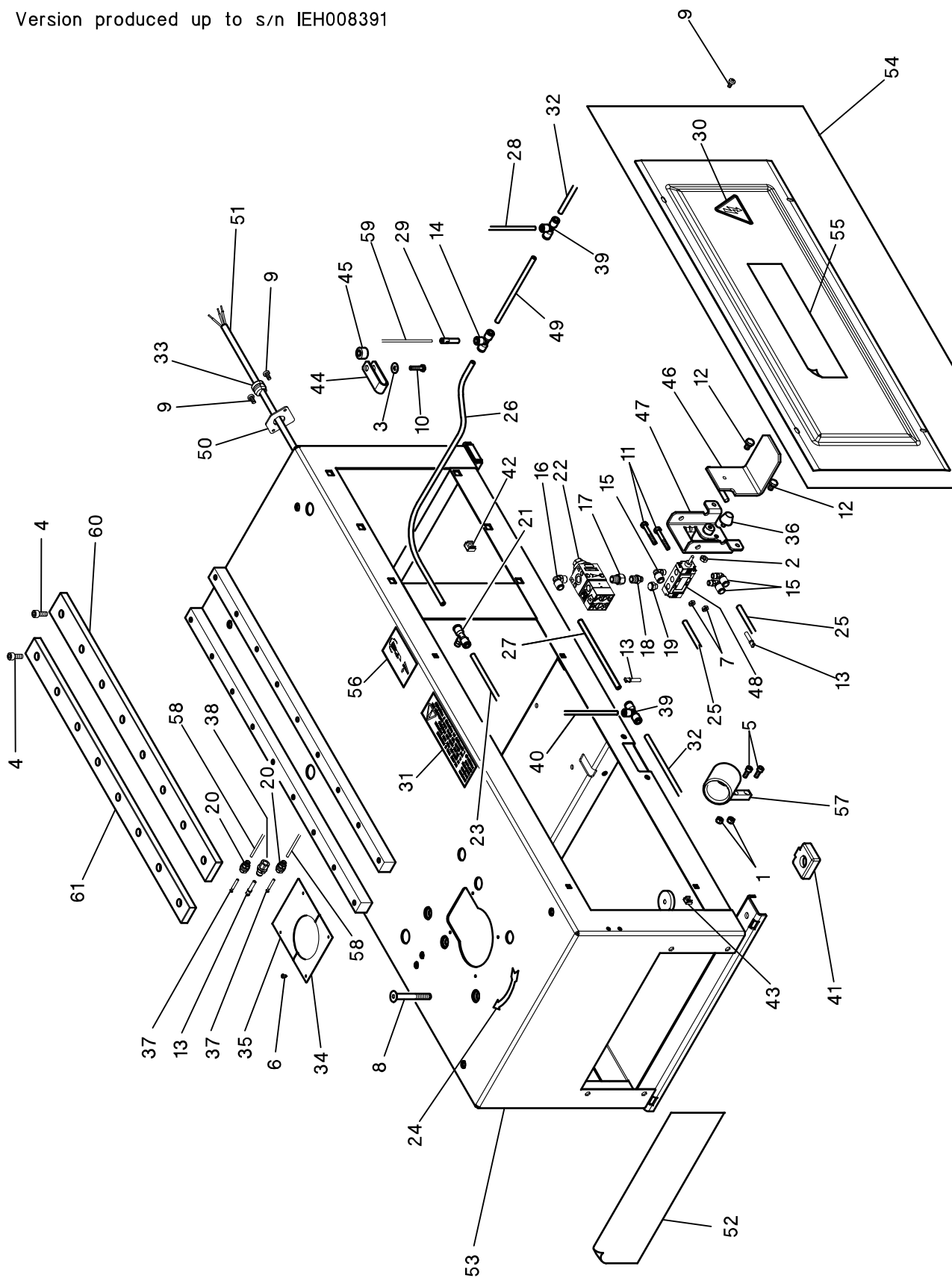
**SICE**  
AUTOMOTIVE EQUIPMENT

Ed 07/2012

# S 300

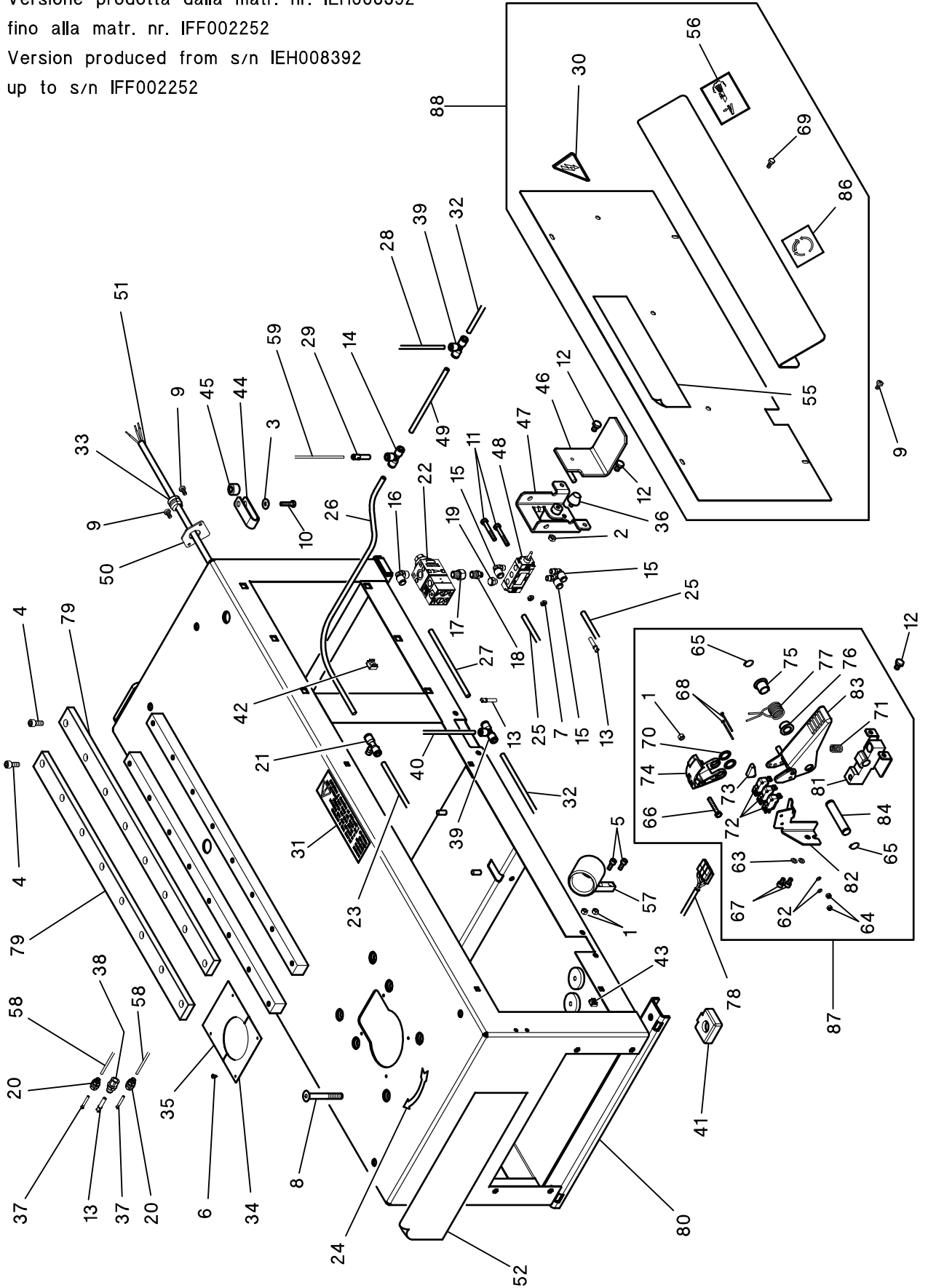
Versione prodotta fino alla matr. nr. IEH008391

Version produced up to s/n IEH008391



# S 300

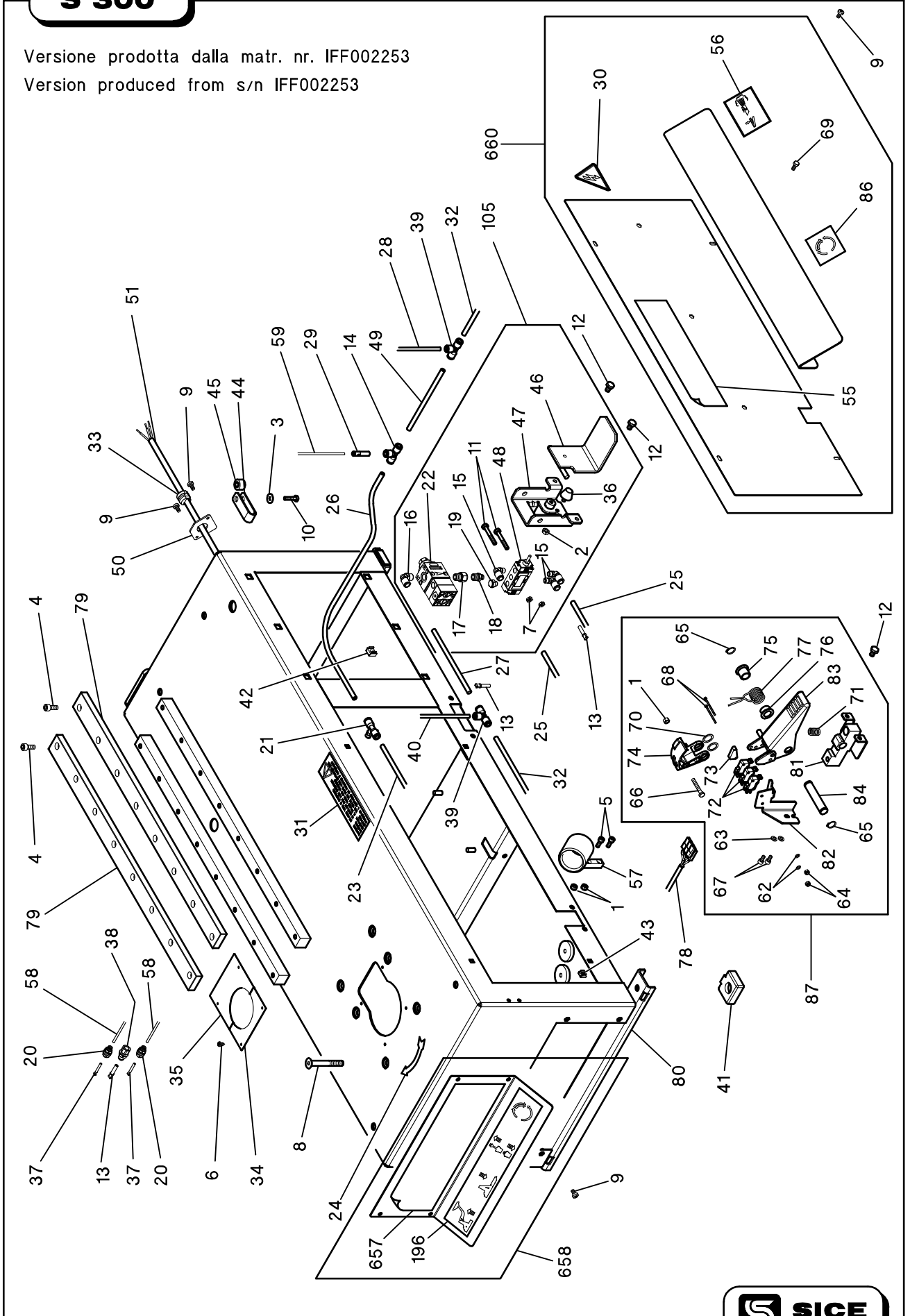
Versione prodotta dalla matr. nr. IEH008392  
fino alla matr. nr. IFF002252  
Version produced from s/n IEH008392  
up to s/n IFF002252



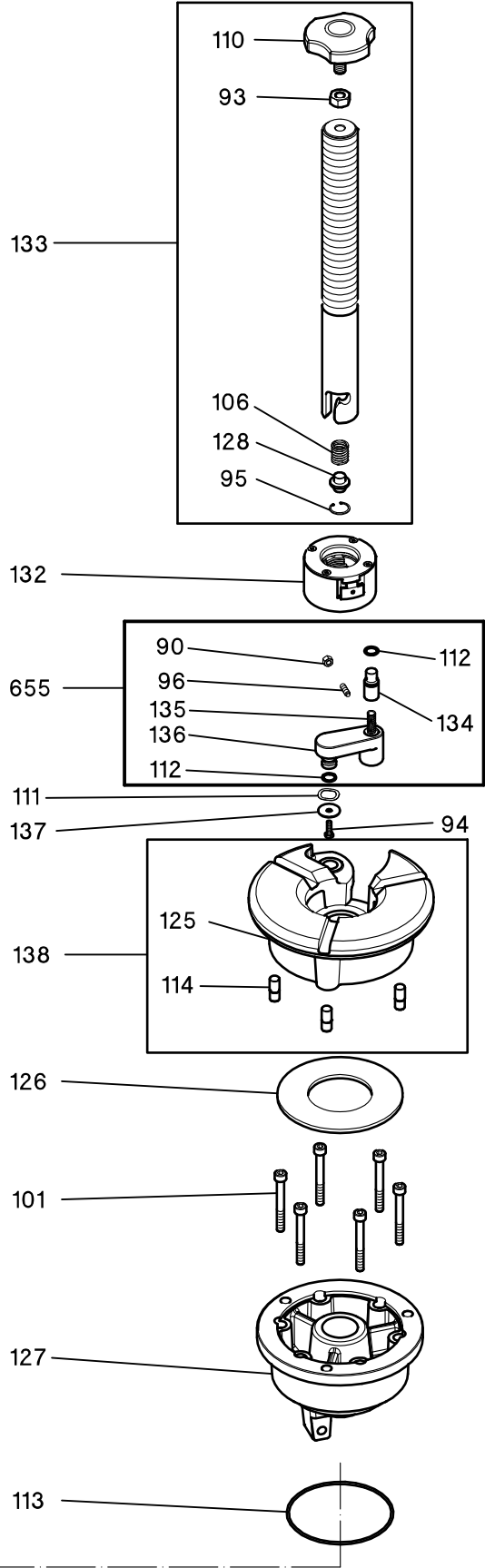
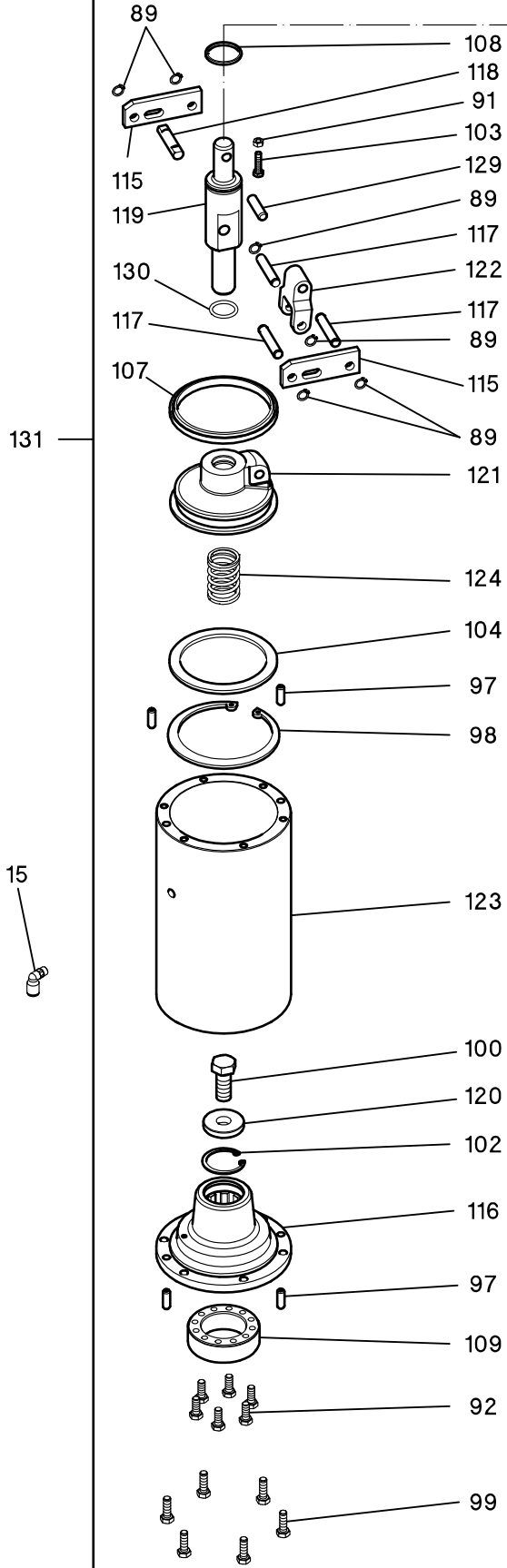
# S 300

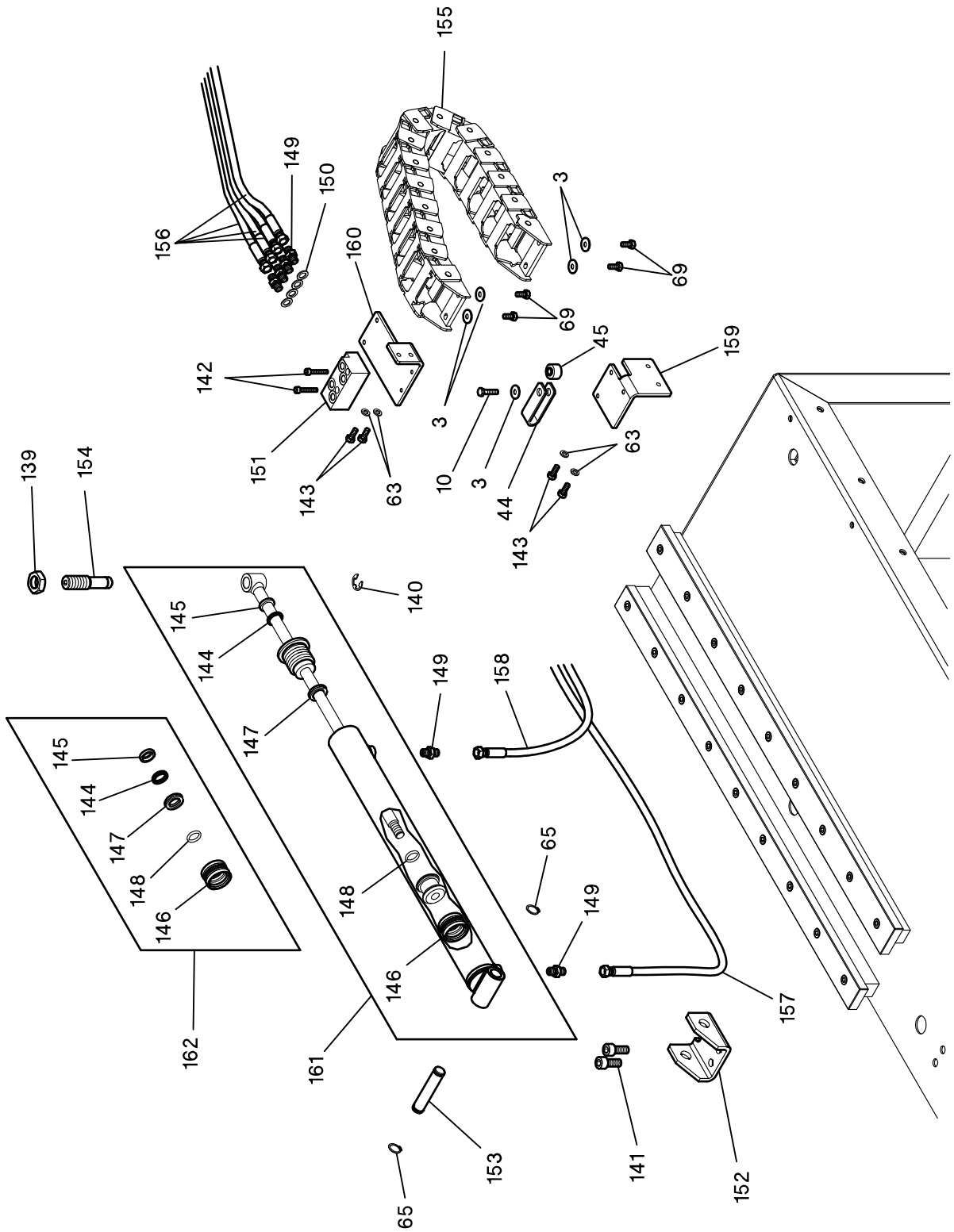
Versione prodotta dalla matr. nr. IFF002253

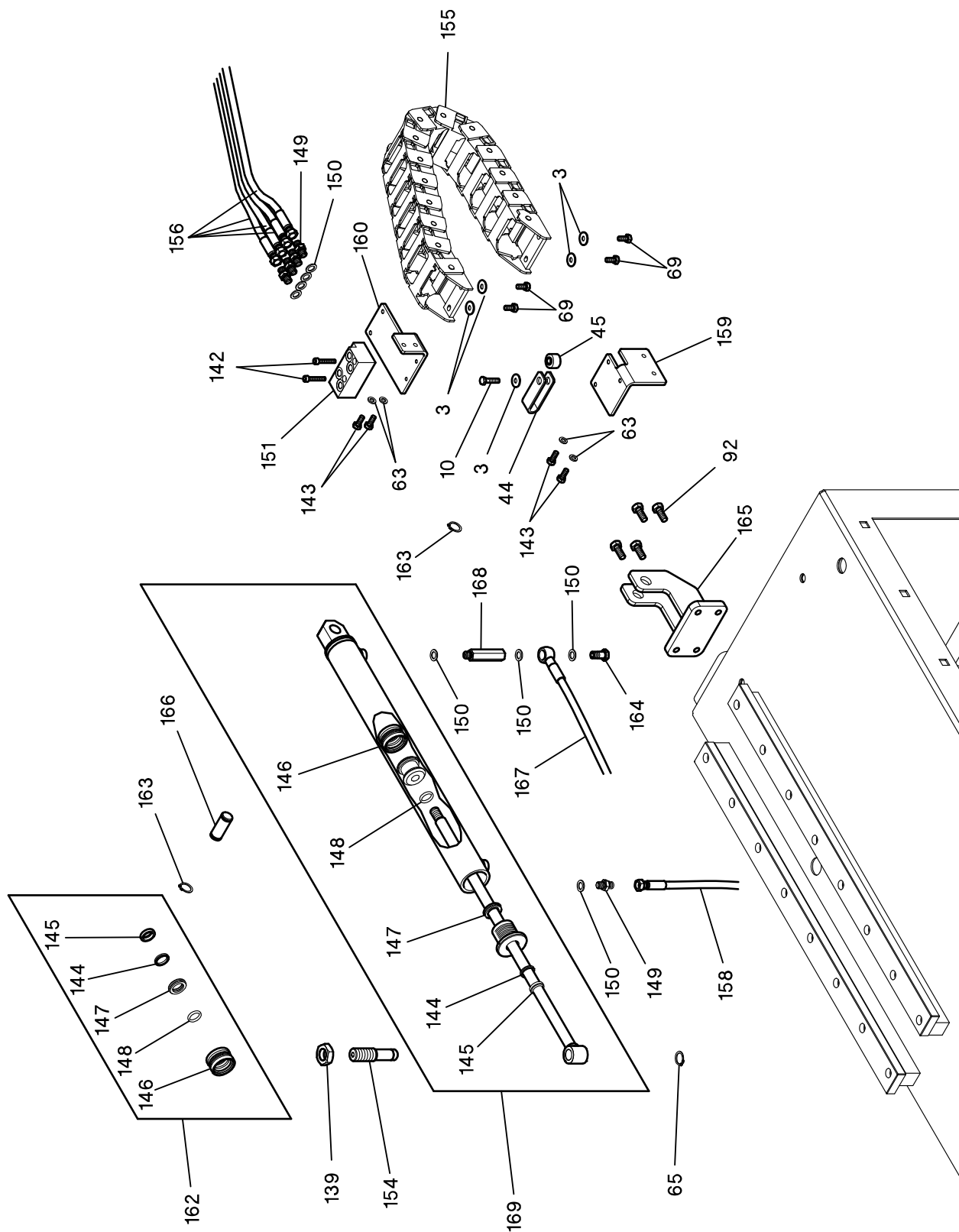
Version produced from s/n IFF002253



# S 300



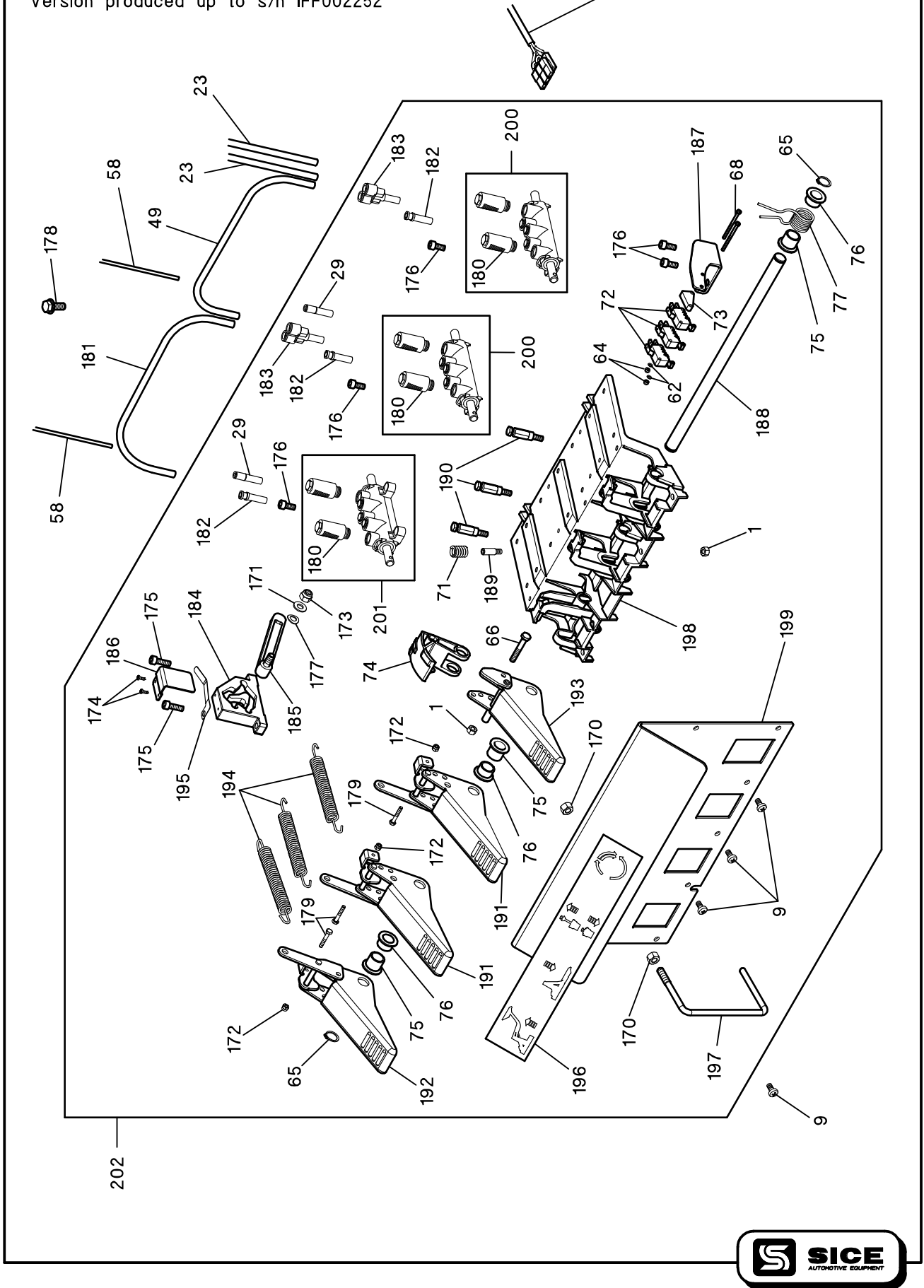




# S 300

Versione prodotta fino alla matr. nr. IFF002252

Version produced up to s/n IFF002252

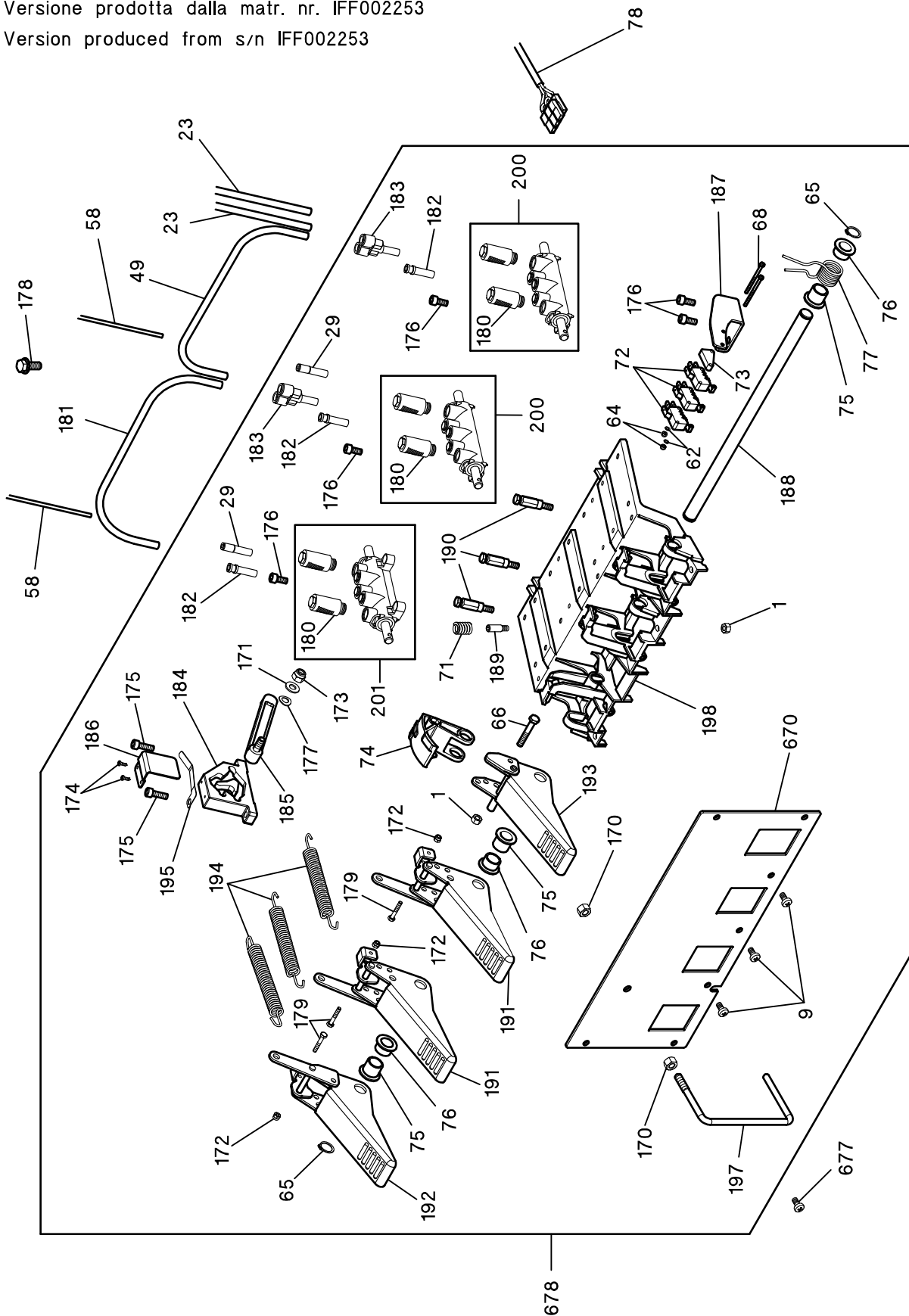




# S 300

Versione prodotta dalla matr. nr. IFF002253

Version produced from s/n IFF002253



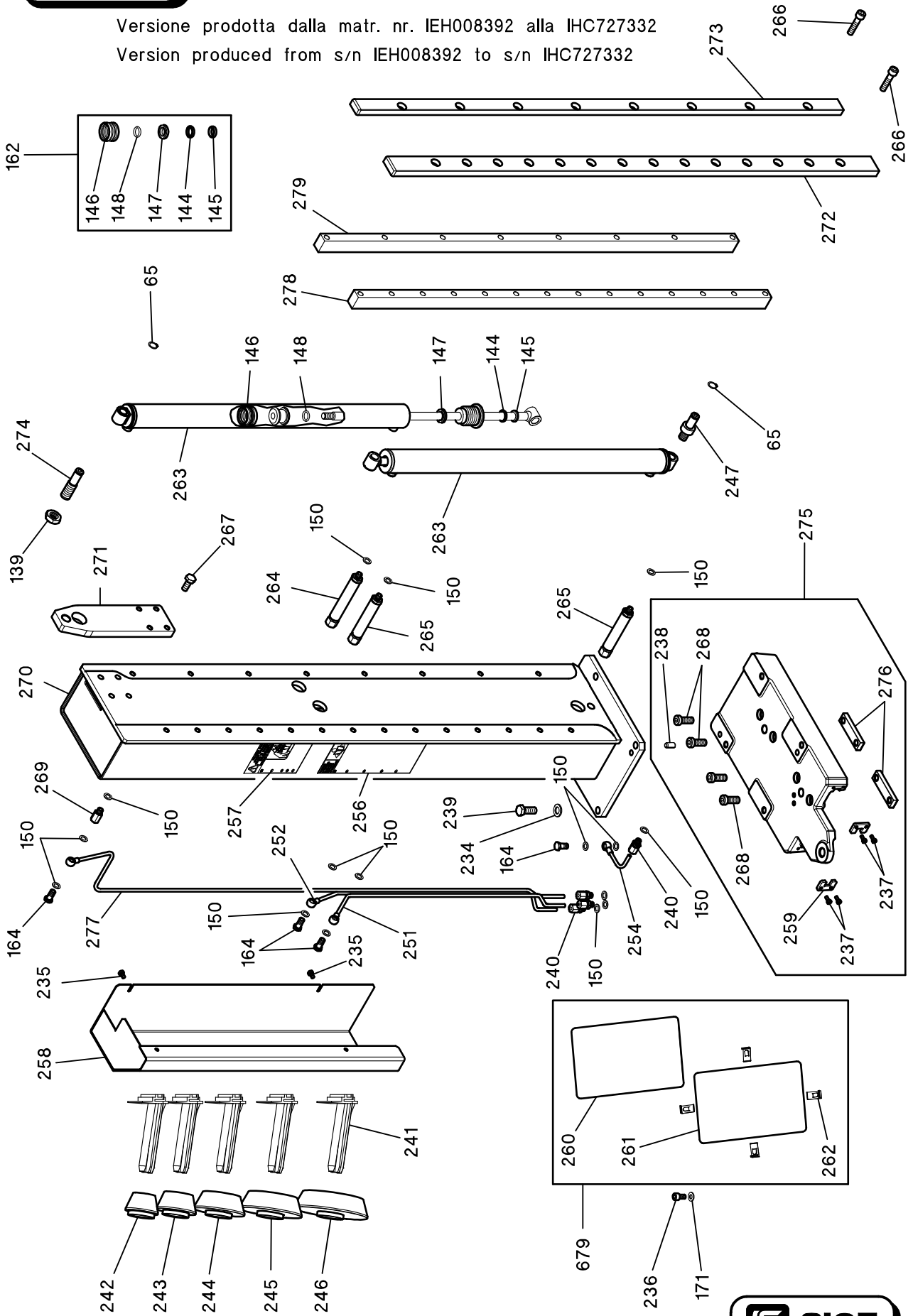




# S 300

Versione prodotta dalla matr. nr. IEH008392 alla IHC727332

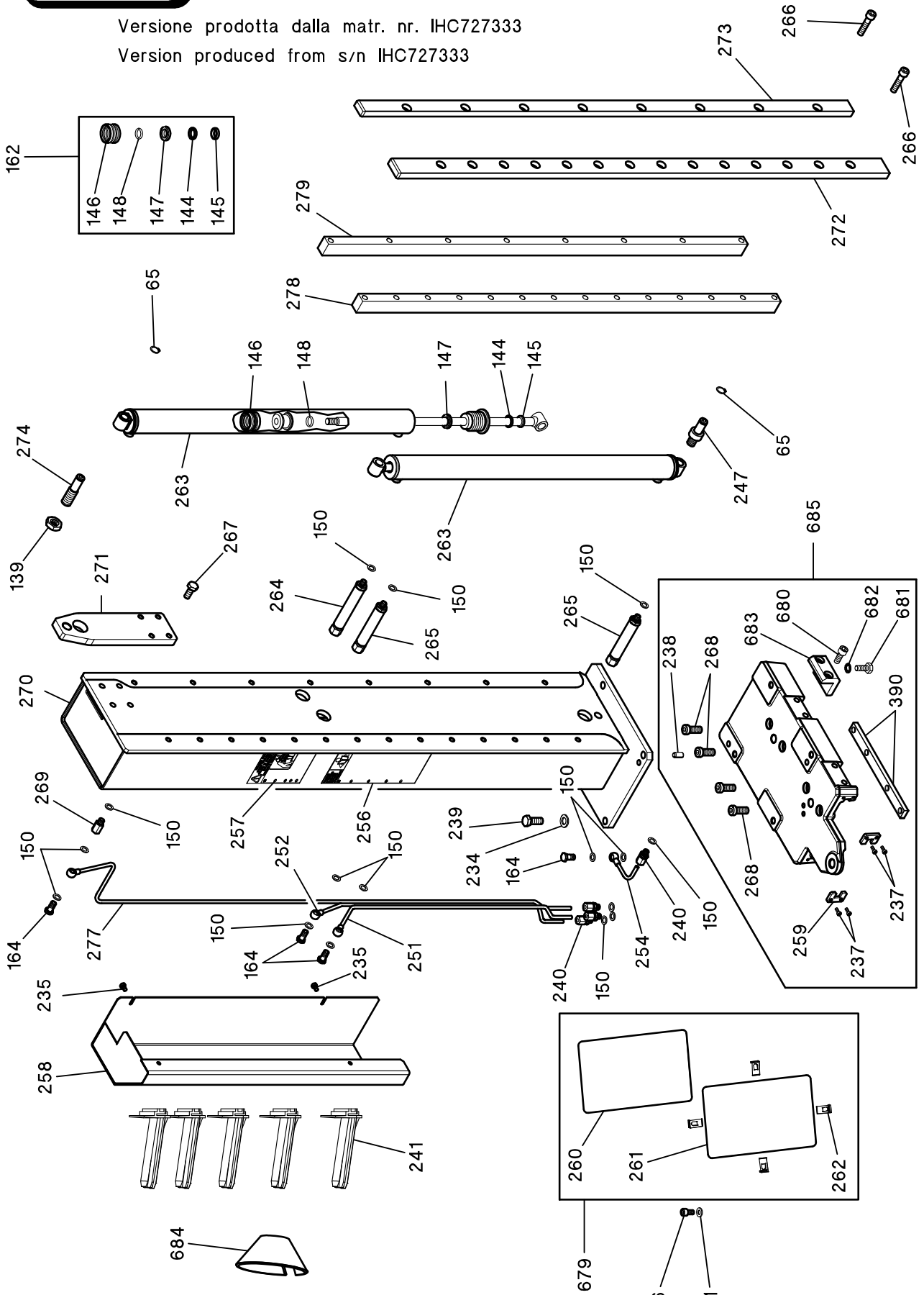
Version produced from s/n IEH008392 to s/n IHC727332



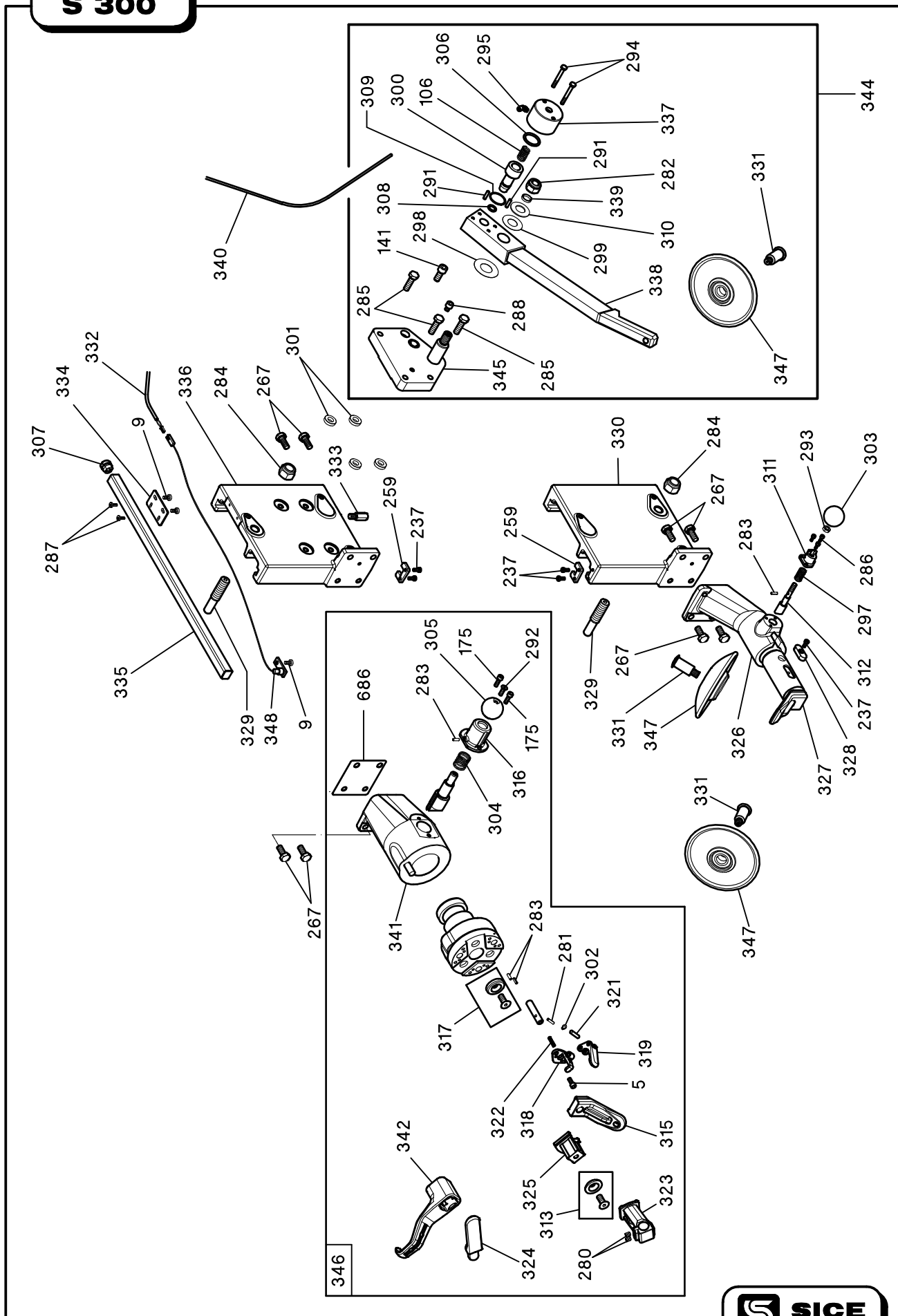
# S 300

Versione prodotta dalla matr. nr. IHC727333

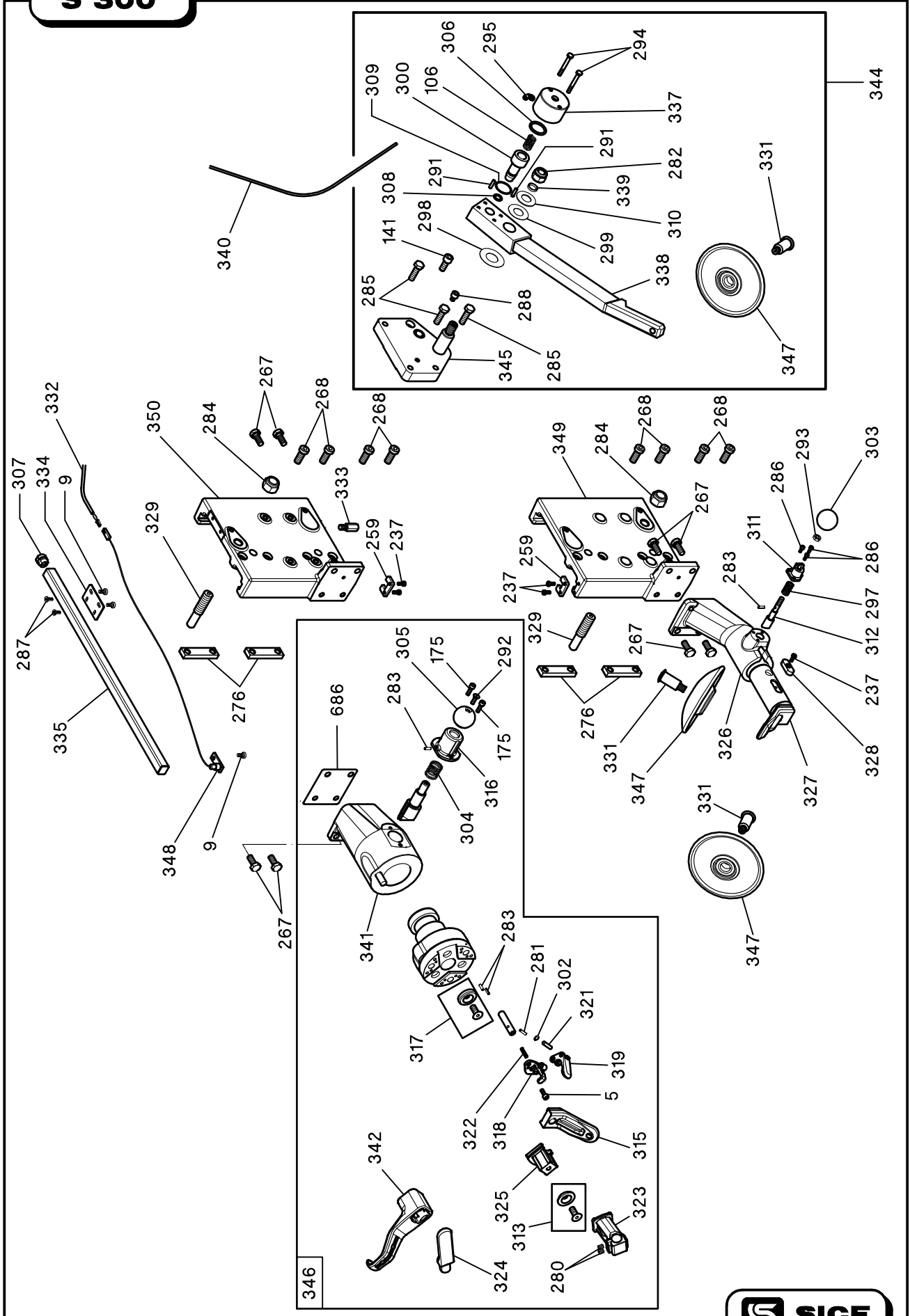
Version produced from s/n IHC727333



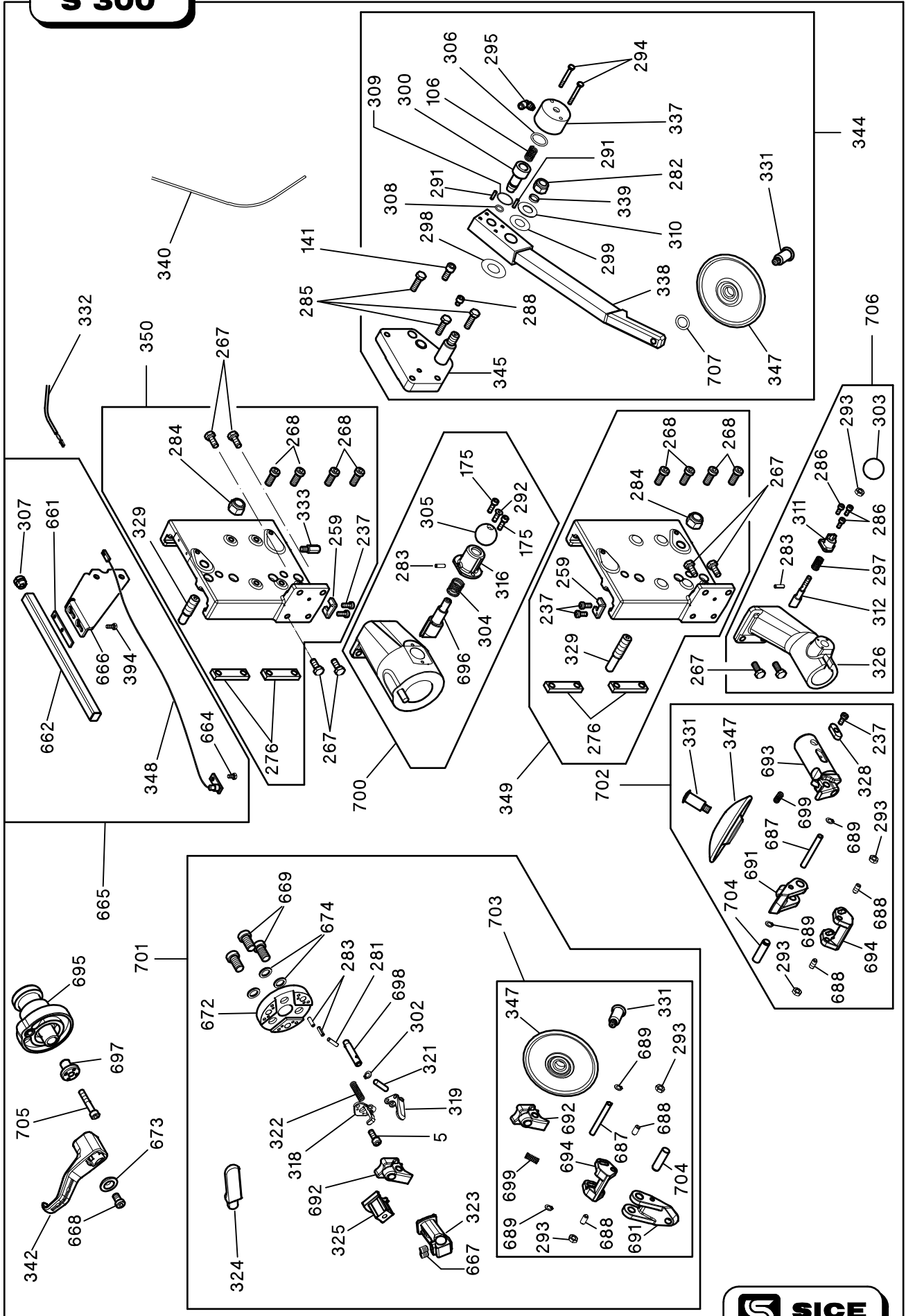
**S 300**



**S 300**



**S 300**

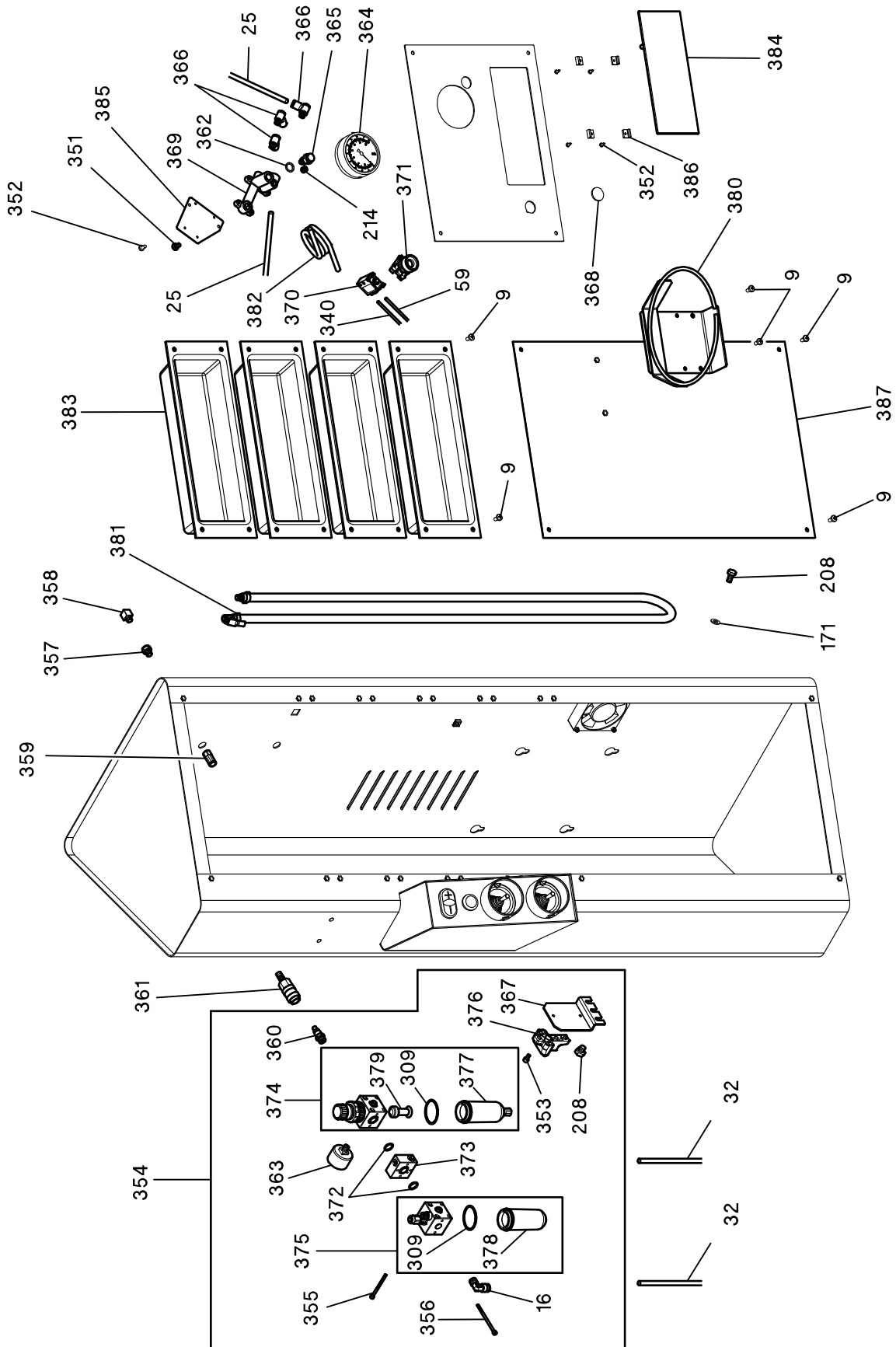




# S 300

Versione prodotta fino alla matr. nr. IEH008391

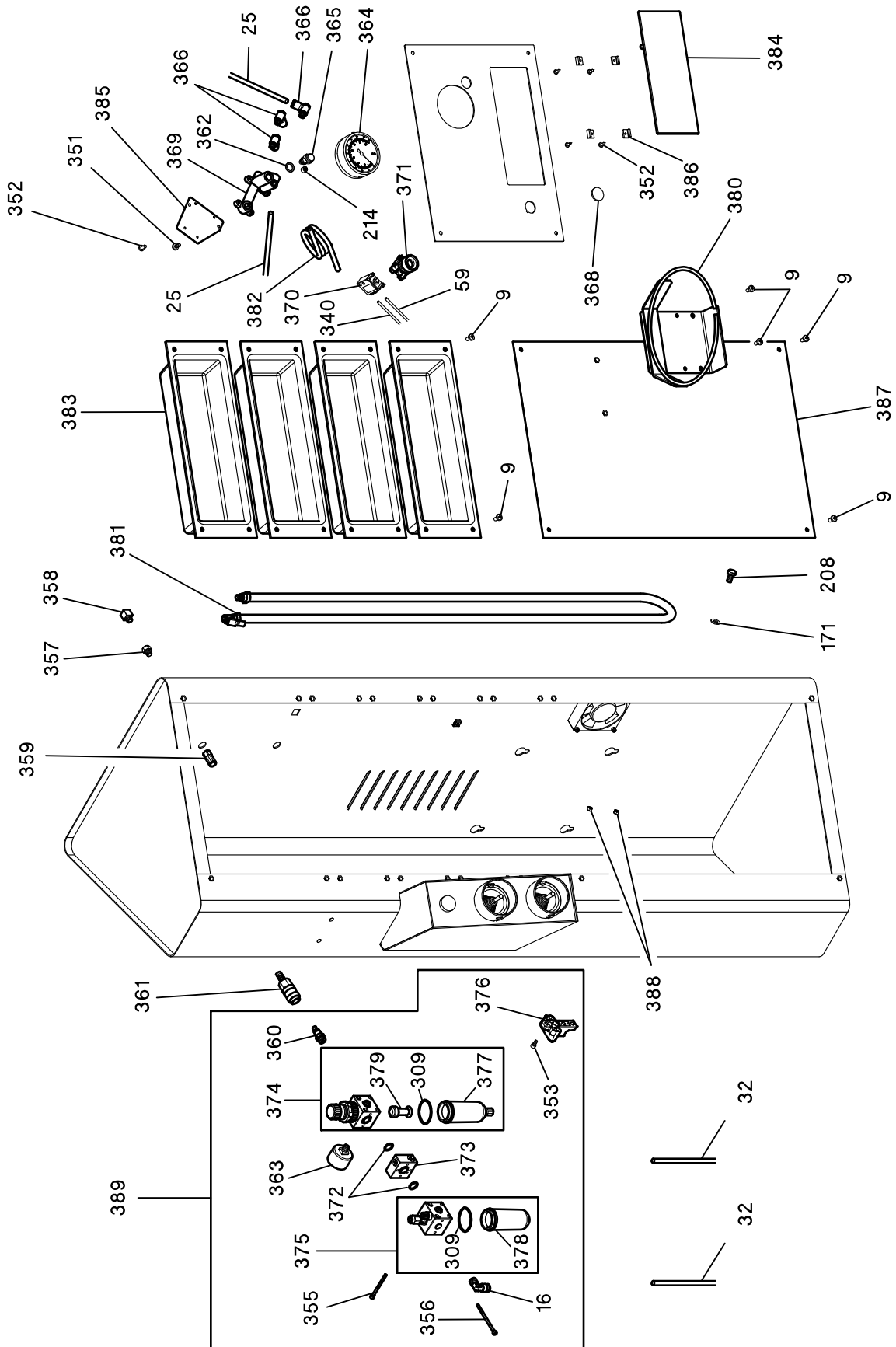
Version produced up to s/n IEH008391



# S 300

Versione prodotta dalla matr. nr. IEH008392

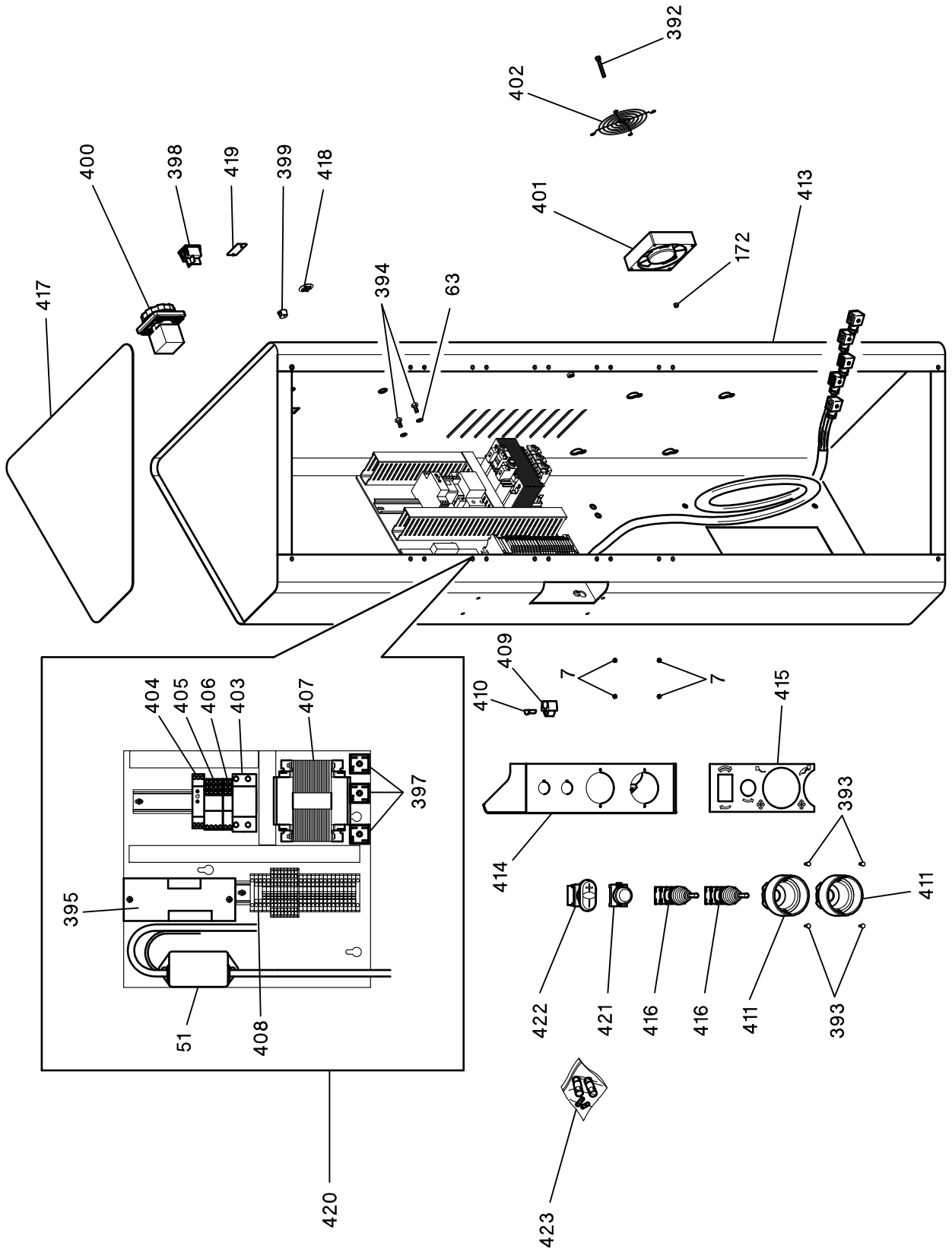
Version produced from s/n IEH008392

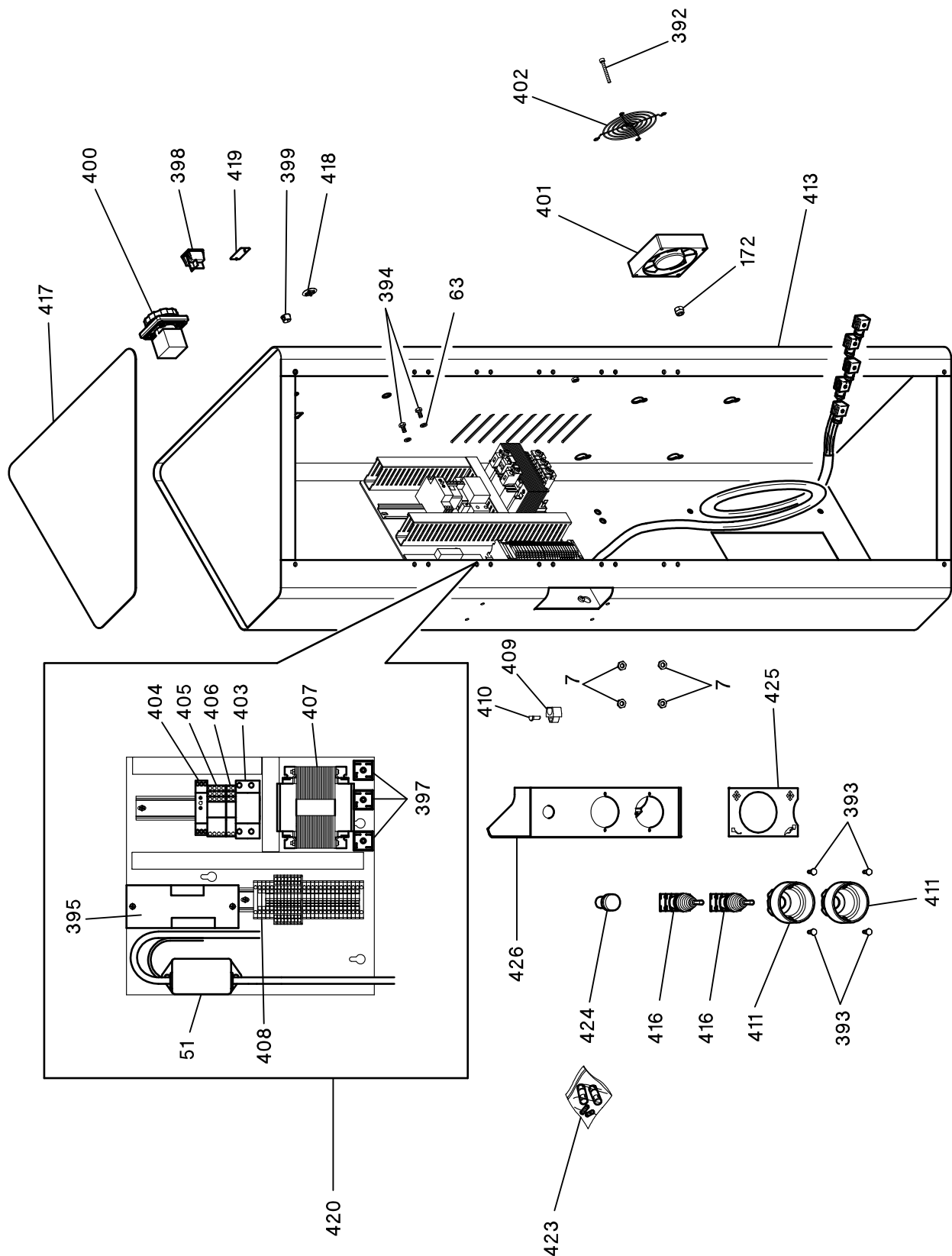


# S 300

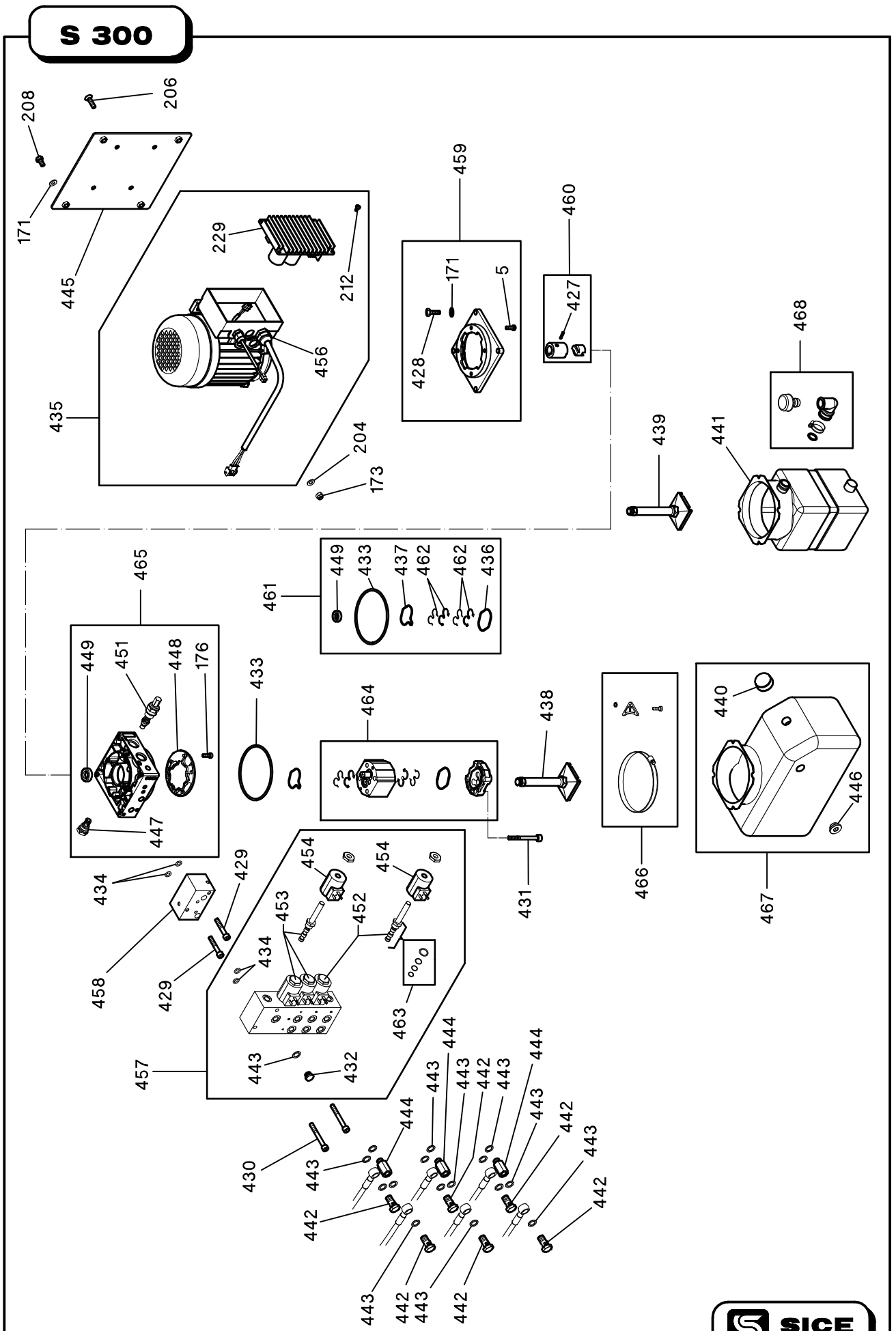
Versione prodotta fino alla matr. nr. IEH008391

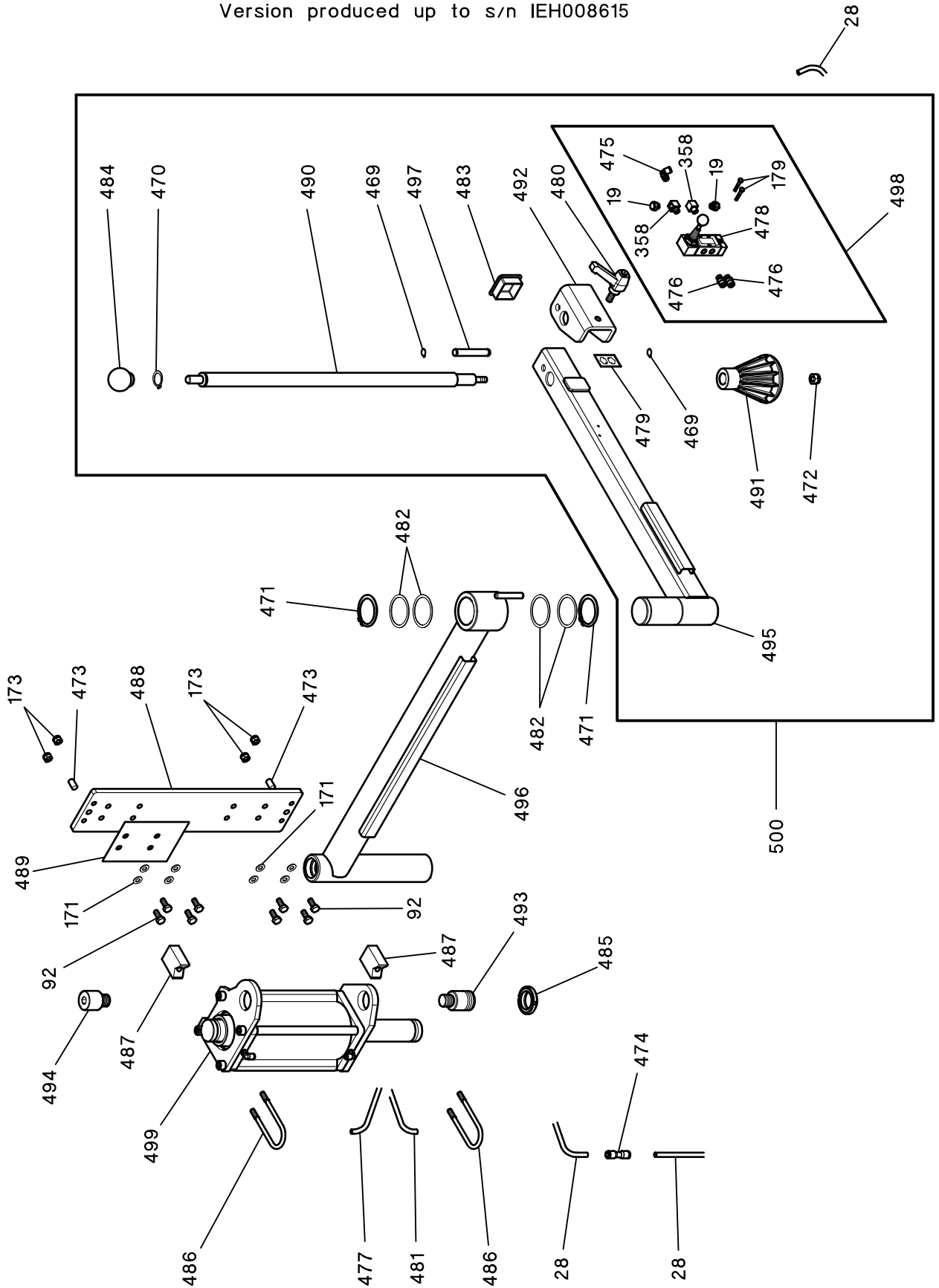
Version produced up to s/n IEH008391





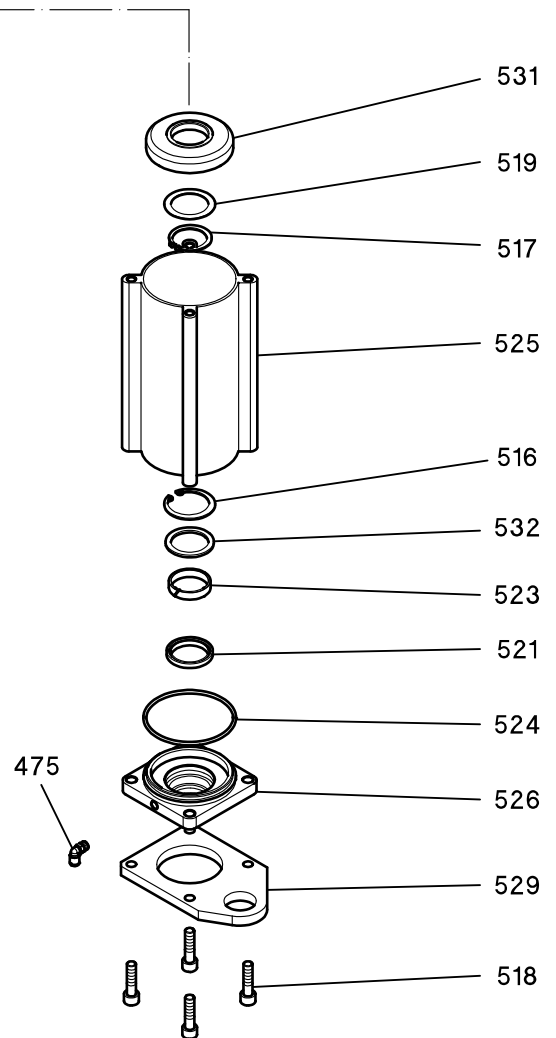
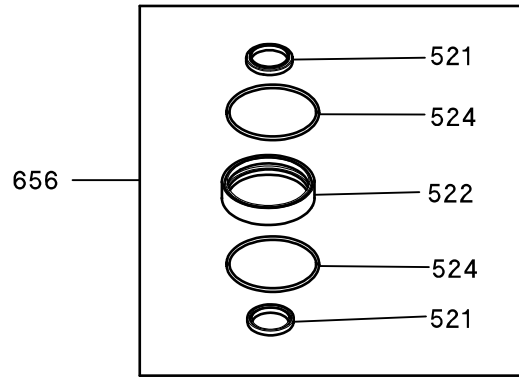
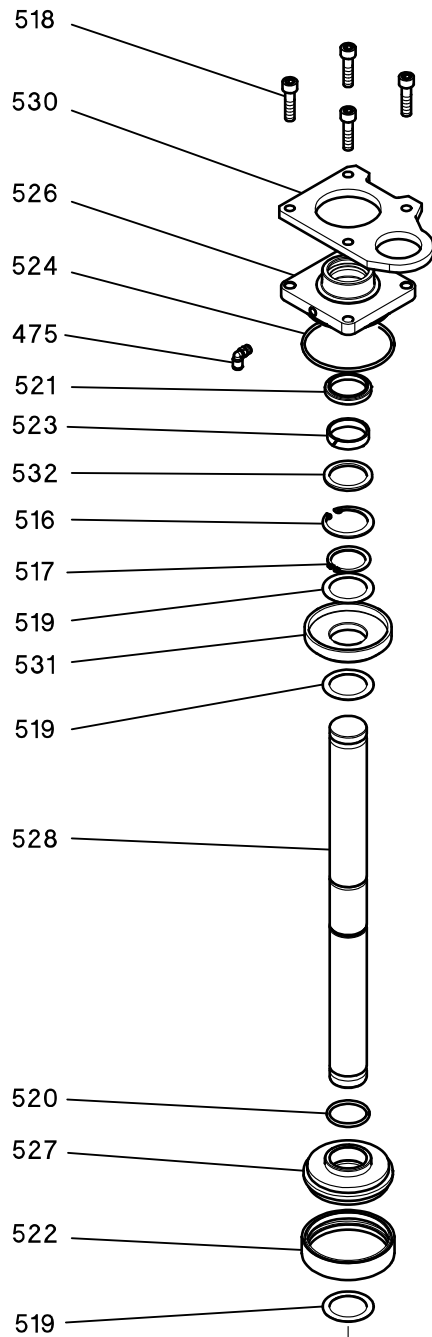
**S 300**







# S 300

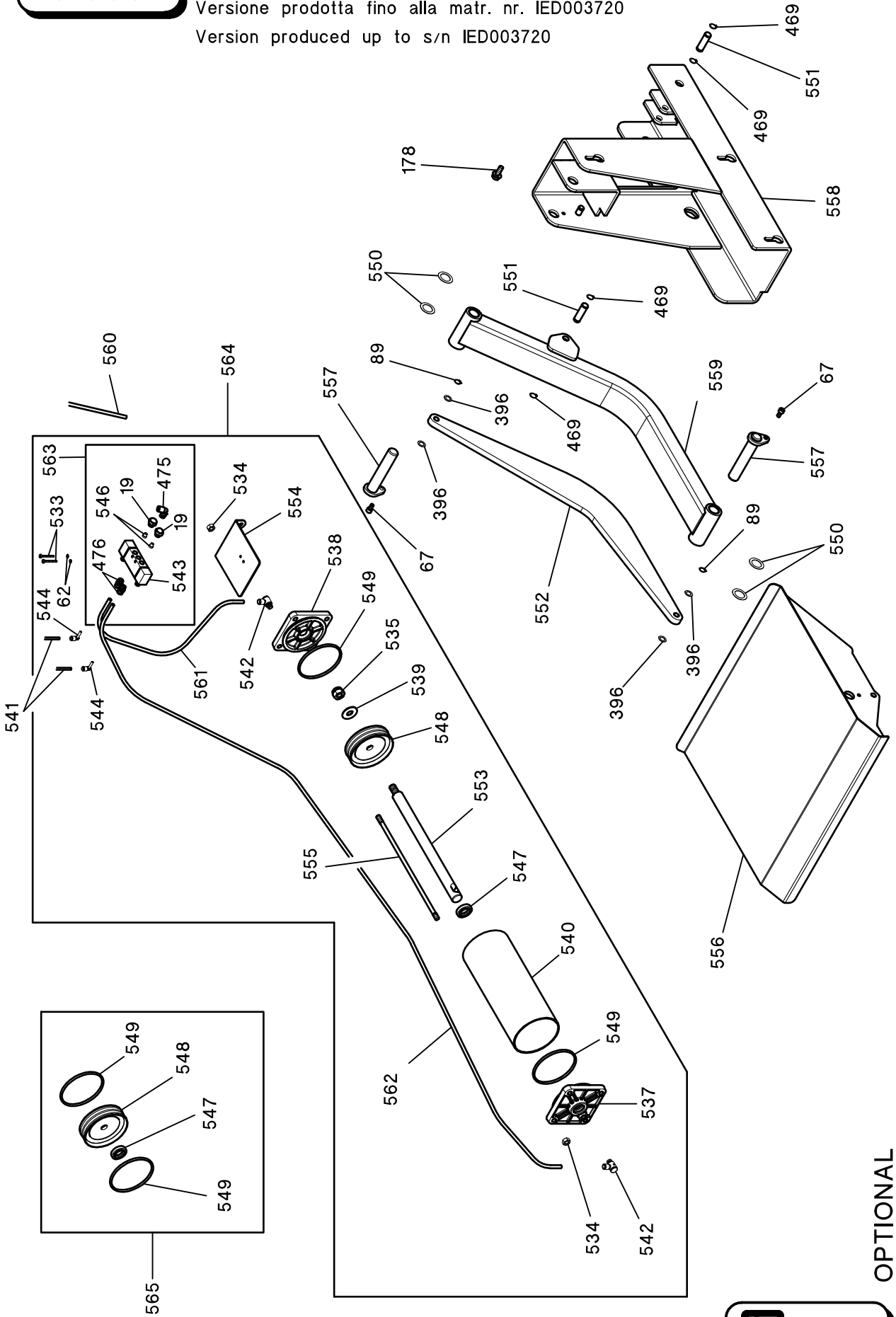




**S 300**

Versione prodotta fino alla matr. nr. IED003720

Version produced up to s/n IED003720



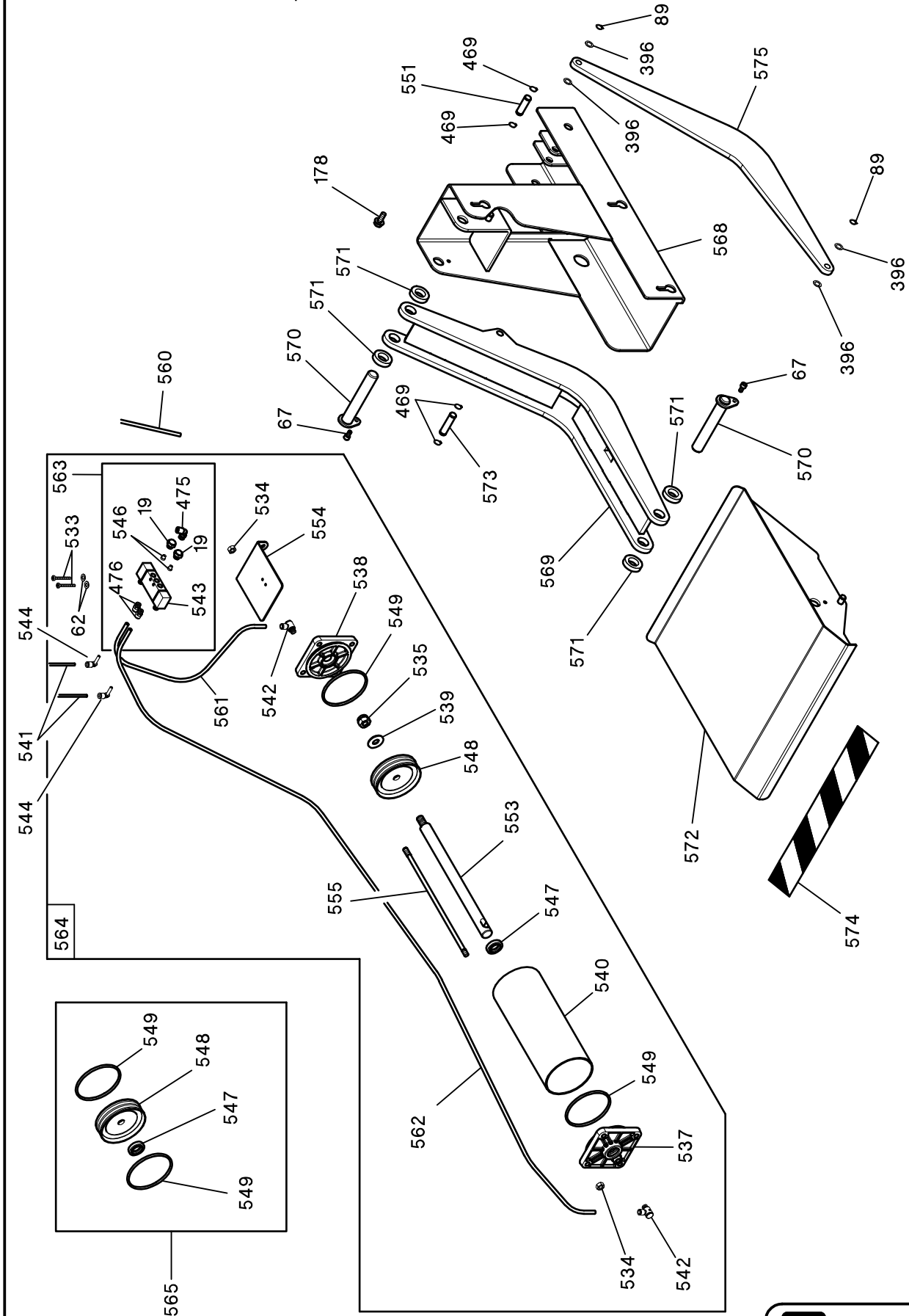
OPTIONAL



# S 300

Versione prodotta dalla matr. nr. IED003721

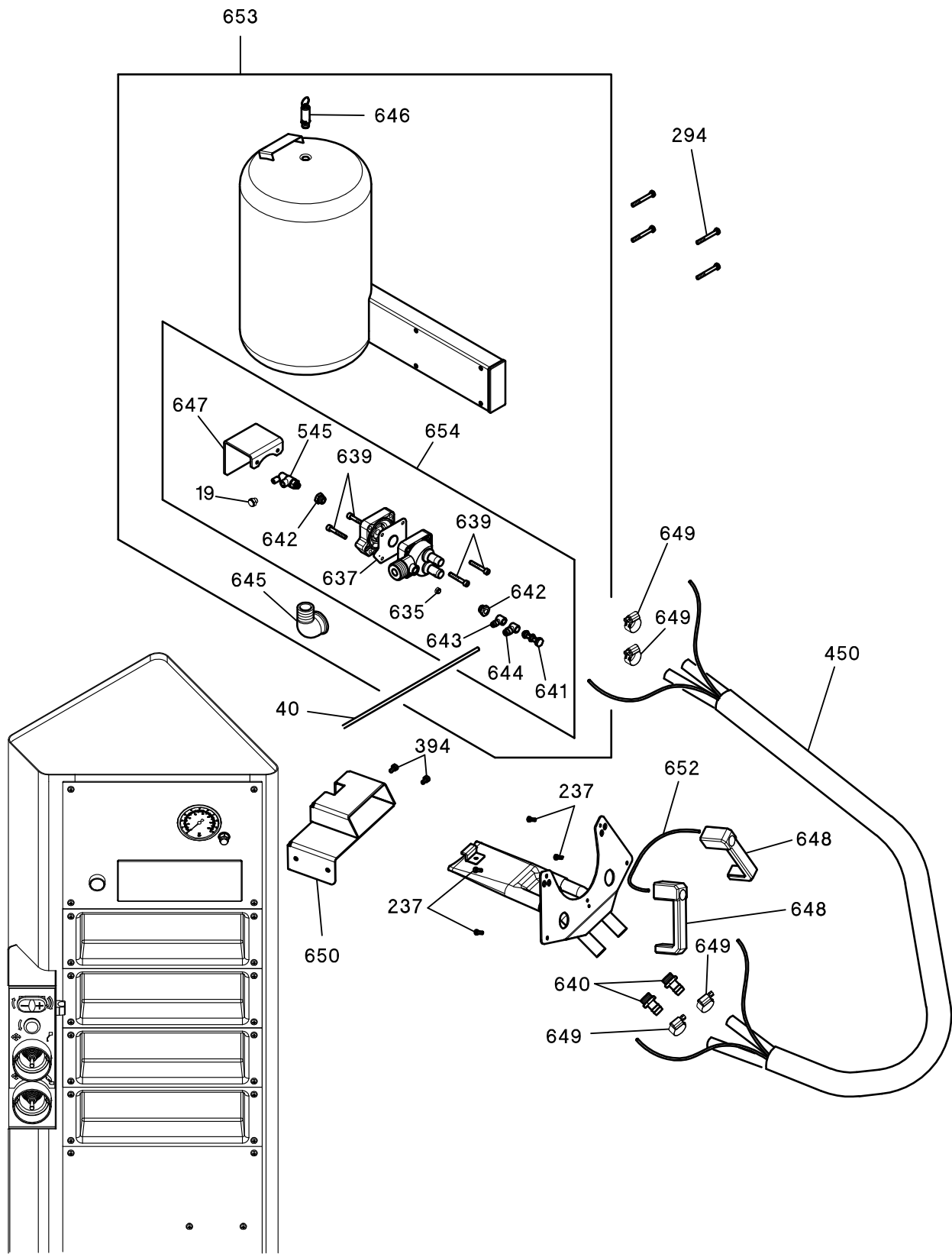
Version produced from s/n IED003721



OPTIONAL



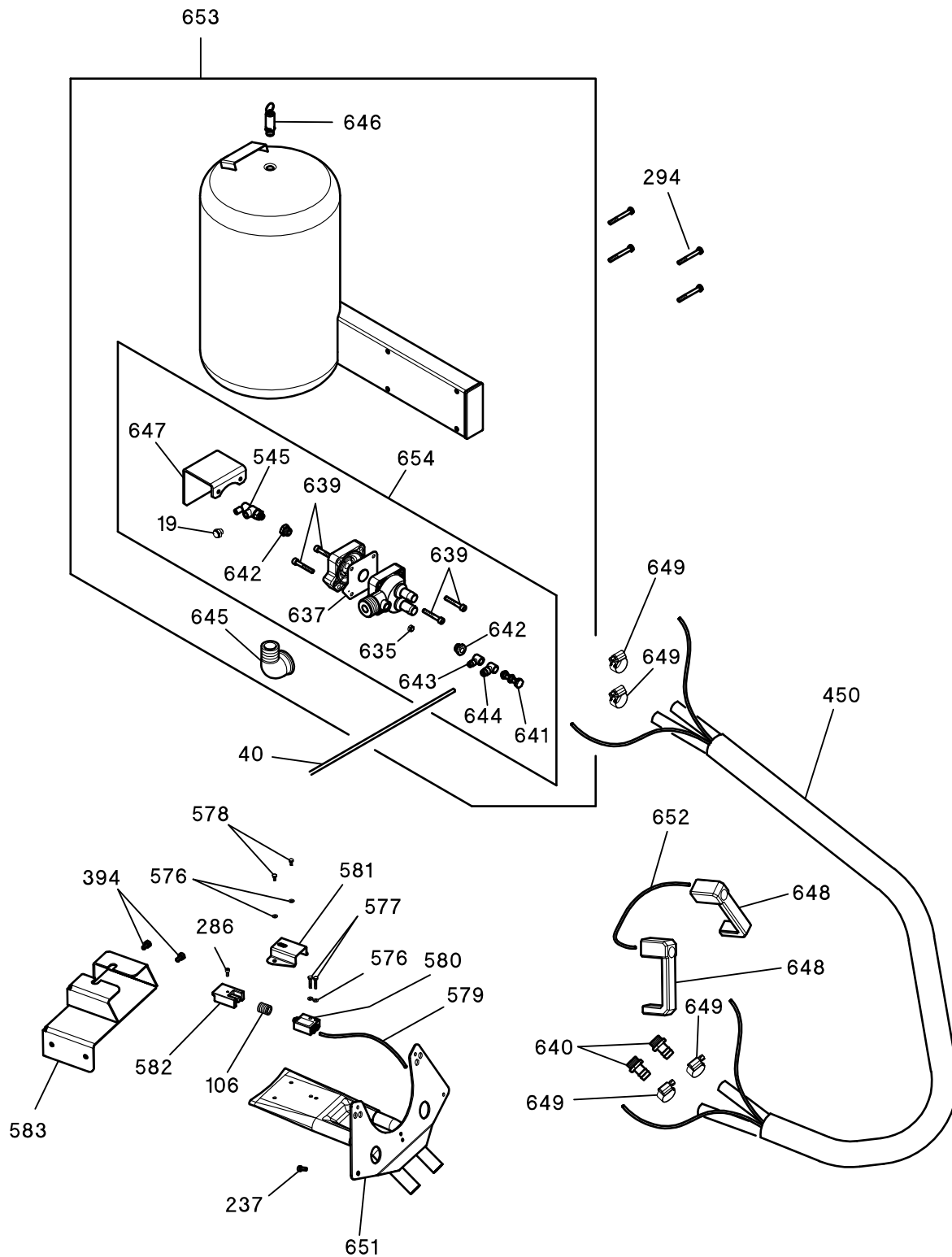
Versione con 2 valvole di controllo  
2 control valves version



OPTIONAL



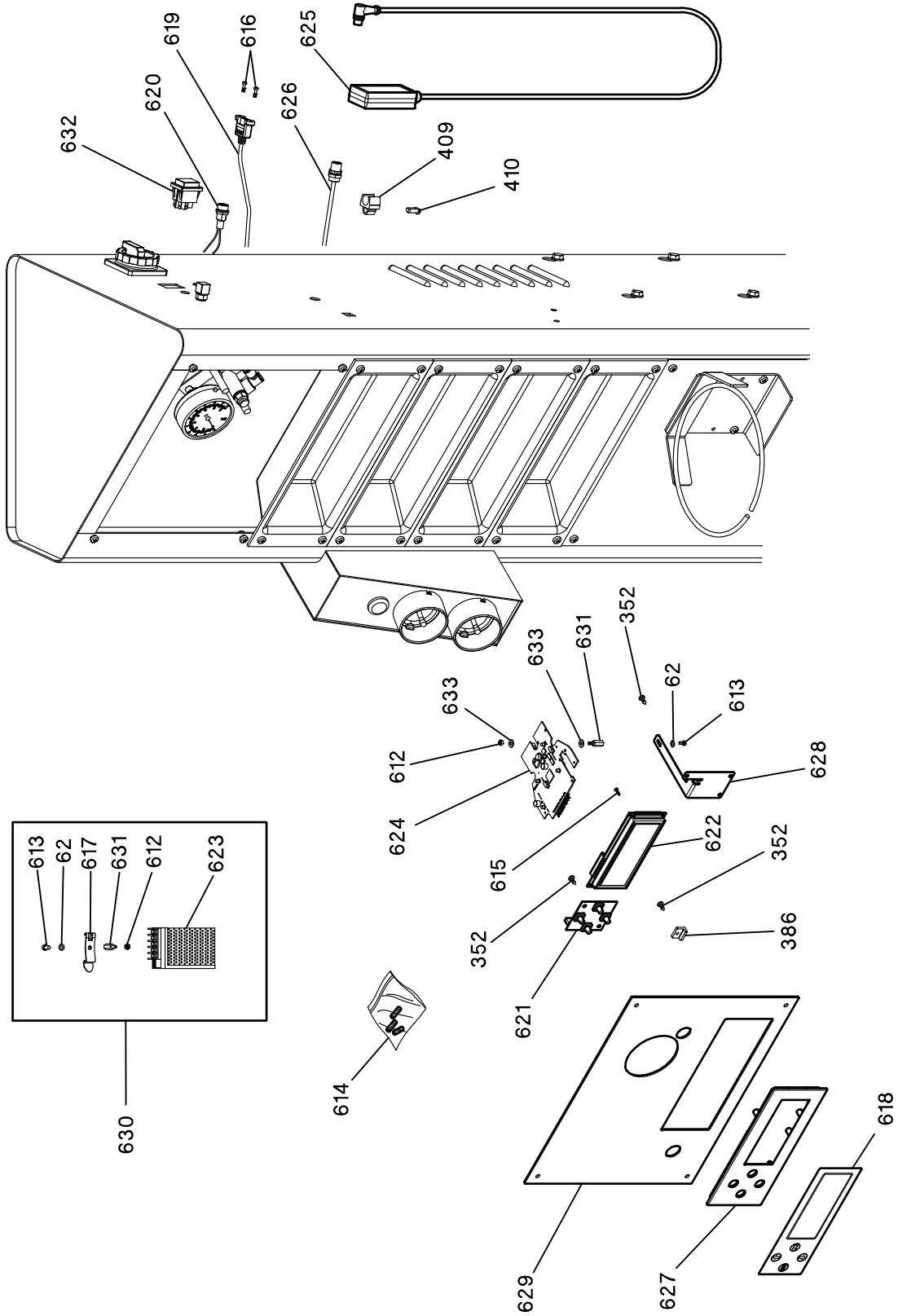
Versione con 3 valvole di controllo  
3 control valves version



OPTIONAL

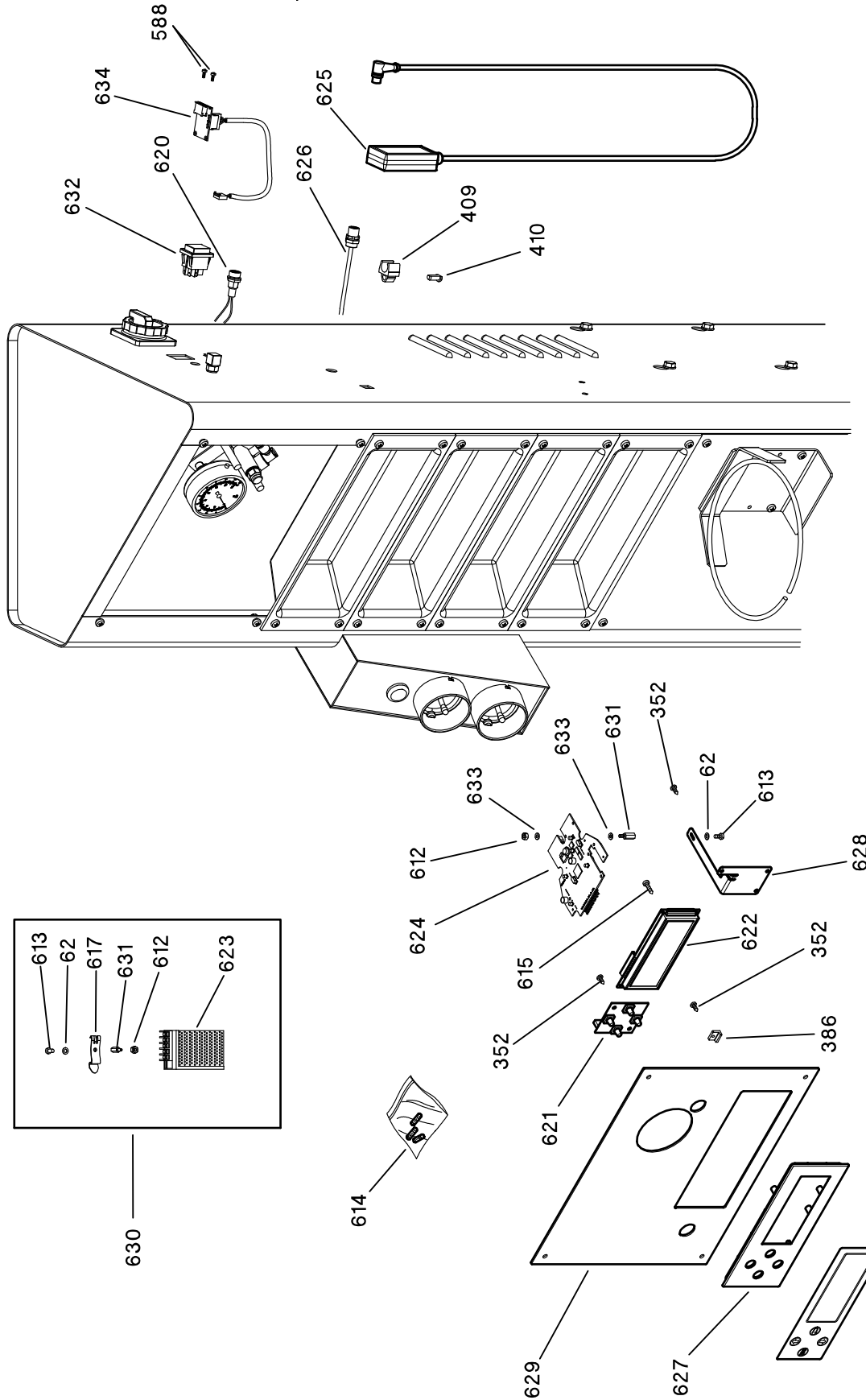






OPTIONAL





OPTIONAL



Rif. Ref.	Codice Code	Descrizione	Description
1	2-00127	DADO ESAGONALE ALTO M 6	HIGH NUT M6
2	2-00167	DADO ESAGONALE BASSO M6	LOW NUT M6
3	2-00679	ROSETTA D 6X18X1,5	WASHER D.6X18X1,5
4	2-02007	VITE TCEI M8X20	SOCKET HEAD CAP SCREW M8X20
5	2-02378	VITE TCEI M6X16	SOCKET HEAD CAP SCREW M6X16
6	2-02742	VITE AUTOFILETT. D3,9X 9,5	SELF-TAPPING SCREW D.3,9X9,5
7	2-02804	DADO BASSO M4	LOW NUT M4
8	2-03186	VITE TSPEI M10X80	SOCKET COUNTERSUNK SCREWM10X80
9	2-03542	VITE TCIC M 6X12	CROSS PAN HEAD SCREW M6X12
10	2-02031	VITE TE M6X30	HEXAGON HEAD CAP SCREW M6X30
11	2-80031	VITE TE M4X30	HEXAGON HEAD CAP SCREW M4X30
12	2-91715	VITE TE M8X12	HEXAGON HEAD CAP SCREW M8X12
13	3-00018	RACCORDO TAPPO D.6	CAP D.6
14	3-00025	RACCORDO A T 8-6 RAPIDO	TEE CONNECTOR T.8
15	3-00059	RACCORDO A L ORIENTAB. 1/8 T8	ORIENTING ELBOW FITTING 1/8 T8
16	3-00060	RACCORDO A L GIREVOLE 1/4 T8	ORIENTING ELBOW FITTING 1/4 T8
17	3-00082	RACCORDO G1/4 M-F	REDUCER G1/4 M-F
18	3-00135	NIPPLES 1/8-1/4	REDUCING NIPPLE G1/8-G1/4
19	3-00181	SILENZIATORE-G1/8 FILI ACCIAIO	SILENCER G.1/8
20	3-00215	RACCORDO PASSAPARETE M10X1-T4	QUICK UNION 4-2
21	3-00292	RACCORDO A T ORIENT. G1/8C-T8	TEE MALE ADAPTOR G1/8" 8-6
22A	3-00389	VALVOLA GONFIAGGIO RAPIDO 1/4	QUICK INFLATING VALVE G1/4
22B	3-00390	VALVOLA GONFIAGGIO G1/4 (GIAPPONE)	QUICK INFLATING VALVE 1/4" (JAPAN)
23	3005167	TUBO RILSAN NERO 8-6 L.1100	RILSAN HOSE D.8-6 L.1100
24A	3005690	TARGA SENSO ROTAZIONE (NERA)	SENSE OF ROTATION ARROW (BLACK)
24B	3020842	TARGA SENSO ROTAZIONE (BIANCA)	SENSE OF ROTATION ARROW (WHITE)
25	3009007	TUBO RILSAN NERO 8-6 L.1300	RILSAN HOSE D.8-6 L.1300
26	3009687	TUBO RILSAN NERO 8-6 L. 100	RILSAN HOSE D.8-6 L.100
27	3010923	TUBO RILSAN NERO 8-6 L. 800	RILSAN HOSE D.8-6 L.800
28	3011188	TUBO RILSAN NERO 6-4 L.1800	RILSAN HOSE D.6-4 L.1800
29	3-01177	RACCORDO DRITTO D8 T.4-2	QUICK UNION D.8 T.4-2
30	3014056	TARGA PERICOLO TENSIONE	WARNING TENSION LABEL
31	3014095	TARGA PERICOLO 5 LINGUE	"DANGER" LABEL
32	3015501	TUBO RILSAN NERO 8-6 L. 600	RILSAN HOSE D.8-6 L.600
33	3-01908	PRESSACAVO	CABLE HOLDER
34	3020173	PROTEZIONE ANTERIORE	FRONT PROTECTION PLATE
35	3020174	PROTEZIONE POSTERIORE	REAR PROTECTION PLATE
36	3-02148	PARACOLPO CONICO D23X16 M6X12	SHOCK ABSORBER D. 23X16 M 6X12
37	3-02319	RACCORDO TAPPO-D4	CAP D.4
38	3-02320	RACCORDO PASSAP. M12X1 F1/8T6	QUICK UNION T.4-2
39	3-02563	RACCORDO A T 8-6 RAPIDO	TEE CONNECTOR T.8-T.6
40	3093959	TUBO RILSAN NERO 6-4 L. 800	RILSAN HOSE D.6-4 L. 800
41A	3305148	PIEDE H.17 (fino a matr. IFA000063)	RUBBER FOOT H.17(up to s/n IFA000063)
41B	4-406032	PIEDE H.25 (da matr. IFA000064)	RUBBER FOOT H.25(from s/n IFA000064)
42	4300573	DADO GABBIA QUADRA M8	SQUARE CAGED NUT M8



Rif. Ref.	Codice Code	Descrizione	Description
43	4300575	DADO GABBIA QUADRA M6	<i>SQUARE CAGED NUT M6</i>
44	4-401385	GUIDA TUBI STALLONATORE	<i>BEAD BREAKER HOSE GUIDE</i>
45	4-401398	DISTANZIALE	<i>SPACER</i>
46	4-401720	LEVA PEDALE	<i>PEDAL</i>
47	4-401726	STAFFA PEDALE CON FERMO	<i>PEDAL SUPPORT WITH STOP</i>
48	4-401730	VALVOLA GONFIAGGIO GT	<i>INFLATING VALVE</i>
49	4-402453	TUBO RILSAN NERO 8-6 L. 190	<i>RILSAN HOSE D.8-6 L.190</i>
50	4-403072	PIASTRINA FERMACAVO	<i>CABLE HOLDER PLATE</i>
51	4-403399	CAVO ALIMENTAZIONE CON FILTRO	<i>FEEDING CABLE WITH FILTER</i>
52A	4-112603	TARGA S 300 (BIANCA)	<i>S300 LABEL (WHITE)</i>
52B	4-405977	TARGA S 300 (GRIGIA)	<i>S 300 LABEL (GREY)</i>
52C	4-403493	TARGA S 300 (NERA)	<i>S 300 LABEL (BLACK)</i>
53A	4-404549	CARCASSA (ROSSO)	<i>BODY (RED)</i>
53B	4-404069	CARCASSA (GRIGIO RAL 7016)	<i>BODY (GREY RAL 7016)</i>
54A	5-104073	FIANCATA SX + TARGHE (ROSSA)	<i>SIDE PANEL+LABELS (RED)</i>
54B	5-104075	FIANCATA SX + TARGHE (GRIGIO)	<i>SIDE PANEL+LABELS (GREY)</i>
55A	4-405979	TARGA SICE (GRIGIA)	<i>SICE LABEL (GRAY)</i>
55B	4-404330	TARGA SICE (NERA)	<i>SICE LABEL (BLACK)</i>
55C	4-112561	TARGA SICE (BIANCA)	<i>SICE LABEL (WHITE)</i>
56	4-404331	TARGA PEDALE GP	<i>DECAL, GP PEDAL</i>
57	4-404386	SUPPORTO MOZZO FILETTATO	<i>THREADED HUB SUPPORT</i>
58	4-404930	TUBO RILSAN NERO 4-2 L.1000	<i>RILSAN HOSE D.4-2 L.1000</i>
59	4-404931	TUBO RILSAN NERO 4-2 L.1500	<i>RILSAN HOSE D.4-2 L.1500</i>
60A	4-404046	GUIDA INTERNA (fino a matr. IEB001433)	<i>INTERNAL GUIDE (up to s/n IEB001433)</i>
60B	4-405168	GUIDA INTERNA (da IEB001434 a IEH008391)	<i>INTERNAL GUIDE (from s/n IEB001434 to IEH008391)</i>
61A	4-404047	GUIDA ESTERNA (fino a matr. IEB001433)	<i>EXTERNAL GUIDE (up to s/n IEB001433)</i>
61B	4-405170	GUIDA ESTERNA (da IEB001434 a IEH008391)	<i>EXTERNAL GUIDE (from s/n IEB001434 to IEH008391)</i>
62	2-00208	RONDELLA D.3	<i>WASHER FOR HEX CAP SCREW M3</i>
63	2-00211	RONDELLA D.6	<i>WASHER FOR HEX CAP SCREW M6</i>
64	2-01017	DADO AUTOBLOCCANTE M3	<i>NUT WITH POLYAMIDE RING M3</i>
65	2-01122	ANELLO ELASTICO D.15	<i>RETAINING RING FOR SHAFT D.15</i>
66	2-02811	VITE TE M6X40	<i>HEXAGON HEAD CAP SCREW M6X40</i>
67	2-02817	VITE TCEI M6X12	<i>SOCKET HEAD CAP SCREW M6X12</i>
68	2-03355	VITE TCI M3X45	<i>SOCKET HEAD CAP SCREW M3X45</i>
69	2-03563	VITE TE M6X14	<i>HEXAGON HEAD CAP SCREW M6X14</i>
70	2-94108	RONDELLA SPESS.988 16X22X1,0	<i>WASHER D.16X22X1</i>
71	3005803	MOLLA COMPRESSIONE	<i>HELICAL COMPRESSION SPRING</i>
72	3-01451	MICROINTERRUTTORE PEDALIERA	<i>MICROSWITCH</i>
73	4-401717	DISTANZIALE SUPPORTO MICRO	<i>SPACER FOR MICROSWITCH SUPPORT</i>
74	4-403658	CAMMA COMANDO MICRO	<i>MICROSWITCHES DRIVE CAM</i>
75	4-403702	BOCCOLA MOLLA H.18	<i>SPRING BUSH H.18</i>
76	4-403703	BOCCOLA MOLLA H.13	<i>SPRING BUSH H.13</i>
77	4-403791	MOLLA DI TORSIONE	<i>HELICAL TORSION SPRING</i>
78	4-404582	CAVO MICRO PEDALIERA	<i>MICROSWITCH CABLE</i>
79	4-405368	GUIDA CARRELLO	<i>CARRIAGE GUIDE</i>

<b>Rif. Ref.</b>	<b>Codice Code</b>	<b>Descrizione</b>	<b>Description</b>
80A	4-405378	CARCASSA (GRIGIO RAL7016)	BODY (GREY RAL7016)
80B	4-405599	CARCASSA (ROSSO)	BODY (RED)
81	4-405387	BASE PEDALE	PEDAL SUPPORT
82	4-405388	SUPPORTO MICRO	MICROSWITCH SUPPORT
83	4-405389	PEDALE MICRO SX	LEFT MICROSWITCH PEDAL
84	4-405415	PERNO PEDALIERA	PEDAL PIN
86A	4-405789	TARGA PEDALE 2VEL. (NERA)	DECAL, 2 SPEED PEDAL (BLACK)
86B	4-406246	TARGA PEDALE 2VEL. (GRIGIA)	DECAL, 2 SPEED PEDAL (GREY)
86C	4-405790	TARGA PEDALE 2VEL. (BIANCA)	DECAL, 2 SPEED PEDAL (WHITE)
87	5-401508	PEDALE MICRO COMPLETO	COMPL. PEDAL WITH MICROSWITCH
88A	5-491009	FIANCATA COMPLETA (GRIGIO RAL9006)	COMPLETE SIDE PANEL(GREY 9006)
88B	5-491053	FIANCATA COMPLETA (GRIGIO RAL7016)	COMPLETE SIDE PANEL(GREY 7016)
88C	5-491052	FIANCATA COMPLETA (ROSSO)	COMPLETE SIDE PANEL (RED)
89	2-00023	ANELLO ELASTICO D.10	RETAINING RING FOR SHAFT D.10
90	2-00144	DADO ESAGONALE M5	NUT M 5
91	2-00146	DADO ESAGONALE M6	NUT M6
92	2-02047	VITE TE M8X20	HEXAGON HEAD CAP SCREW M8X20
93	2-02313	DADO ESAGONALE M12	NUT M12
94	2-02337	VITE TE M5X16	HEXAGON HEAD CAP SCREW M5X16
95	2-02507	ANELLO ELASTICO PER FORI D.22	RETAINING RING FOR BORE D.22
96	2-02560	VITE STEI P.CIL. M5X16	SOCKET SET SCREW M5X16
97	2-03135	SPINA ELASTICA D.8X24	SPRING-TYPE STRAIGHT PIN D8X24
98	2-03527	ANELLO ELASTICO D.120	RETAINING RING FOR SHAFT D.120
99	2-03543	VITE TE M8X25	HEXAGON HEAD CAP SCREW M8X25
100	2-03544	VITE TE M16X1,5X40	HEX.HEAD CAP SCREW M16X1,5X40
101	2-03545	VITE TCEI M8X70	SOCKET HEAD CAP SCREW M8X70
102	2-71601	ANELLO ELASTICO D.45	RETAINING RING FOR SHAFT D.45
103	2-91759	VITE TE M6X25	HEXAGON HEAD CAP SCREW M6X25
104	2-94124	RALLA D.90X120X1	SPACER D90X120X1
105	5-400436	PEDALE GP	INFLATING DEVICE PEDAL
106	3015546	MOLLA COMPRESSIONE	HELICAL COMPRESSION SPRING
107	3-02147	GUARNIZIONE DEM 120	GASKET D120
108	3-02219	GUARNIZIONE DUALSEAL OP 126 B	GASKET DUALSEAL OP 126 B
109	3-02404	CALETTATORE 50X80	CONNECTING PIECE D50X80
110A	4219181	VOLANTINO (fino a matr. IDL008465)	HANDLE (up to s/n IDL008465)
110B	3-90005	VOLANTINO (da matr. IDL008466)	HANDLE (from s/n IDL008466)
111	412246	ANELLO ELAST.3ONDE D17,5X23,8	UNDULATED SPRING WASHER D.17,5
112	4210696	GUARNIZIONE OR2050(1,78X12,42)	O-RING 2050 (1.78x12.42)
113	428538	GUARNIZ. OR3450 (2,62X113,9)	O-RING 3450 (2,62X113,9)
114	4-401628	SPINA CILINDRICA D.11x28	PARALLEL PIN D.11X28
115	4-403845	BIELLA TRASCINAMENTO	CONNECTING ROD
116	4-403846	FLANGIA INFERIORE	LOWER FLANGE
117	4-403848	PERNO BIELLA	PIN
118	4-403849	PERNO TRASCINATORE	DRIVER PIN
119	4-403850	STELO CILINDRO	SHAFT FOR CYLINDER

Rif. Ref.	Codice Code	Descrizione	Description
120	4-403851	RONDELLA D16.25X45X8	WASHER D16.25X45X8
121	4-403852	PISTONE D.120	PISTON D.120
122	4-403854	BIELLA COLLEGAMENTO	CONNECTING ROD
123	4-403856	CAMICIA CILINDRO D.120	CASING CYLINDER D.120
124	4-403932	MOLLA COMPRESSIONE	HELICAL COMPRESSION SPRING
125	4-404018	MOZZO	HUB
126	4-404024	PROTEZIONE	PROTECTION
127	4-404058	FLANGIA SUPERIORE	UPPER FLANGE
128	4-405214	ESPULSORE	EJECTOR
129	4-405613	PERNO ATTACCO	PIN
130	476390	GUARNIZ. OR4100 (3,53X24,99)	O-RING 4100 (3,53X24,99)
131	5-401001	CAMPANA PNEUMATICA	PNEUMATIC WHEEL LOCKING DEVICE
132	5-401338	GHIERA BLOCCAGGIO D.40x3	LOCKING RING NUT D. 40X3
133	5-490992	MOZZO FILETTATO COMPLETO	COMPLETE THREADED HUB
134	94-102326B	PERNO TRASCINATORE	DRIVER PIN
135	94-102331A	MOLLA PERNO TRASCINAMENTO	HELICAL COMPRESSION SPRING
136	4-103143	LEVA	LEVER
137	9434168	RONDELLA D 6,6X24X2	WASHER D.6.6X24X2
138	5-401210	MOZZO	HUB
139	2-00656	DADO ESAGONALE BASSO M18X1,5	LOW NUT M 18X1,5
140	2-01015	ANELLO ELASTICO D12	RETAINING RING FOR SHAFT D.12
141	2-02232	VITE TCEI M10X25	SOCKET HEAD CAP SCREW M10X25
142	2-03555	VITE TCEI M5X30	SOCKET HEAD CAP SCREW M5X30
143	2-01223	VITE TE M6X16	HEXAGON HEAD CAP SCREW M6X16
144	3-01963	GUARNIZIONE TS 15-21,5-4,2	GASKET TS 15-21,5-4,2
145	3-01964	GUARNIZIONE PW 15	GASKET PW15
146	3-90174	GUARNIZIONE DAS 3525/1	GASKET DAS 3525/1
147	3-90175	GUARNIZIONE DUALSEAL OP 216 B	GASKET DUALSEAL OP 216 B
148	4205265	GUARNIZIONE OR119(2,62X15,08)	O-RING 119 (2.62X15.08)
149	4219352	NIPPLES DI CONGIUNZIONE G1/8	NIPPLE 1/8"
150	4219353	RONDELLA RAME G1/8	COPPER WASHER 1/8"
151	4-401041	DISTRIBUTORE 4 VIE TRAVE	4-WAY BEAM DISTRIBUTOR
152	4-401907	FORCELLA ATTACCO CILINDRO	CYLINDER HOLDER
153	4-401908	PERNO FULCRO CILINDRO	CYLINDER PIN
154	4-401909	PERNO ANTERIORE CILINDRO	CYLINDER PIN
155	4-402571	CATENA	CHAIN
156	4-404128	TUBO OLEODINAMICO L=1700	HYDRAULIC HOSE L=1700
157	4-404372	TUBO OLEODINAMICO L=1400	HYDRAULIC HOSE L=1400
158	4-404373	TUBO OLEODINAMICO L=1000	HYDRAULIC HOSE L=1000
159	4-404630	STAFFA INFER. CATENA PORTACAVI	LOWER SUPPORT
160	4-404631	STAFFA SUPER. CATENA PORTACAVI	UPPER SUPPORT
161	5-401091	CILINDRO 35X400	CYLINDER D.35X400
162	5-491003	KIT GUARNIZIONI CILINDRO 35-15	SET OF GASKETS FOR CYLINDER
163	2-01130	ANELLO ELASTICO D.16	RETAINING RING FOR SHAFT D.16
164	3-01487	BULLONE FORATO 1/8BSP	UNION 1/8" BOLT

Rif. Ref.	Codice Code	Descrizione	Description
165	4-405340	SUPPORTO CILINDRO	CYLINDER HOLDER
166	4-405341	PERNO FULCRO CILINDRO	CYLINDER PIN
167	4-405547	TUBO OLEODINAMICO L=1000	HYDRAULIC HOSE L=1000
168	4-405672	PROLUNGA 1/8"BSP	STRAIGHT EXTENSION 1/8" BSP
169	5-401618	CILINDRO 35X400	CYLINDER D.35X400
170	2-00128	DADO ALTO M 8	HIGH NUT M 8
171	2-00212	RONDELLA D.8	WASHER FOR HEX CAP SCREW M8
172	2-01018	DADO AUTOBLOCCANTE M4	NUT WITH POLYAMIDE RING M4
173	2-01020	DADO AUTOBLOCCANTE M8	NUT WITH POLYAMIDE RING M8
174	2-01272	VITE AUTOFILETTANTE D2,9X 9,5	SELF-TAPPING SCREW D.2,9X9,5
175	2-02057	VITE TCEI M 6X 20	SOCKET HEAD CAP SCREW M6X20
176	2-02092	VITE TCEI M6X14	SOCKET HEAD CAP SCREW M6X14
177	2-02248	ROSETTA EL. D8	UNDULATED SPRING WASHER D.8
178	2-03532	VITE FLANGIATA M8X20	HEXAGON FLANGE BOLTS M8X20
179	2-03538	VITE TE M4X25	HEXAGON HEAD CAP SCREW M4X25
180	3-00182	SILENZIATORE-G1/4-PLASTICA	SILENCER G.1/4
181	3009182	TUBO RILSAN NERO 8-6 L. 240	RILSAN HOSE D.8-6 L.240
182	3-01338	TAPPO D.8	CAP D.8
183	3-02192	RACCORDO A Y C8 T8	Y MALE ADAPTOR C8-T8
184	3306148	CAMMA DOPPIA	TRIP CAM
185	4-403659	BIELLA CAMMA	CAM CONNECTING ROD
186	4-403693	CAVALLOTTO GUIDA BIELLA	CONNECTING ROD GUIDE BRACKET
187	4-403709	SUPPORTO MICRO	MICROSWITCHES SUPPORT
188	4-403715	PERNO PEDALIERA	PEDAL PIN
189	4-403732	PERNO MOLLA	SPRING PIN
190	4-403734	VITE PORTA MOLLA	SPECIAL SCREW
191	4-403774	PEDALE CAMME SX	LEFT PEDAL
192	4-403777	PEDALE CAMME DX	RIGTH PEDAL
193	4-403778	PEDALE MICRO DX	RIGHT MICROSWITCH PEDAL
194	4-403790	MOLLA TRAZIONE	TENSION SPRING
195	4-403795	BALESTRA CAMMA SINGOLA	FORK LEAF SPRING
196A	4-405980	TARGA PEDALI 2VELOCITA'(GRIGIA)	DECAL, 2 SPEED PEDALS (GREY)
196B	4-404328	TARGA PEDALI 2VELOCITA' (NERA)	DECAL, 2 SPEED PEDALS (BLACK)
196C	4-404332	TARGA PEDALI 2VELOCITA' (BIANCA)	DECAL, 2 SPEED PEDALS (WHITE)
197	4-404435	SEPARATORE PEDALI	PEDALS SEPARATOR
198	4-404495	TELAIO PEDALIERA	PEDALS BASE
199A	4-404496	FRONTALE PEDALIERA (GRIGIO RAL9006)	FRONT PANEL (GREY RAL9006)
199B	4-404547	FRONTALE PEDALIERA (ROSSO)	FRONT PANEL (RED)
199C	4-406242	FRONTALE PEDALIERA (GRIGIO RAL7016)	FRONT PANEL (GREY RAL7016)
200	5-400951	VALVOLA T.8 DX	COMPLETE RIGHT VALVE T.8
201	5-400952	VALVOLA T.8 SX	COMPLETE LEFT VALVE T.8
202A	5-491014	PEDALIERA COMPLETA (GRIGIO RAL9006)	COMPLETE PEDAL SYSTEM (GREY RAL9006)
202B	5-491055	PEDALIERA COMPLETA (GRIGIO RAL7016)	COMPLETE PEDAL SYSTEM (GREY RAL7016)
202C	5-491054	PEDALIERA COMPLETA (ROSSO)	COMPLETE PEDALS SYSTEM (RED)
203	2-00215	RONDELLA D.14	WASHER FOR HEX CAP SCREW M14

Rif. Ref.	Codice Code	Descrizione	Description
204	2-01299	ROSETTA D 9X24X2	WASHER D.9X24X2
205	2-01950	LINGUETTA 6X6X18	PARALLEL KEY 6X6X18
206	2-02032	VITE TSPEI M8X30	SOCKET COUNTERSUNK SCREW M8X30
207	2-02048	VITE TE M8X35	HEXAGON HEAD CAP SCREW M8X35
208	2-02341	VITE TE M8X16	HEXAGON HEAD CAP SCREW M8X16
209	2-02561	VITE STEI M8X14	SOCKET SET SCREW M8X14
210	2-03365	DADO FLANGIATO DIN6926 M8	NUT WITH FLANGE DIN6926 M8
211	2-71765	DADO BASSO M14	LOW NUT M 14
212	2-91647	VITE TCIC M5X12	CROSS PAN HEAD SCREW M5X12
213	3-00183	SILENZIATORE-G1/8-PLASTICA	SILENCER 1/8"
214	3-00198	RACCORDO TAPPO 1/8"	MALE PLUG G1/8
215	3-00308	RACCORDO A L G1/8	L-UNION 1/8"
216	3010107	VITE TRAINO RACCORDO GIREVOLE	SCREW FOR ROTATING UNION
217	3-01576	CINGHIA POLY-V J6-914	POLY-V BELT J6-914
218	3-00766	MOTOINVERTER 230V 1PH 50/60HZ	INTEGRATED MOTOR-INVERTER
219	3-02403	VALVOLA SCARICO RAPIDO G.1/8	VALVE
220	3093988	TUBO RILSAN NERO 8-6 L. 120	RILSAN HOSE D.8-6 L.120
221	4207833	GUARNIZIONE OR3237(2,62X60)	O-RING 3237 (2.62x60)
222	4-401171	PROLUNGA 1/8"BSP M-F H=28	EXTENSION 1/8"BSP M-F H=28
223	4-401658	PULEGGIA MOTOINV.6 GOLE POLY-V	MOTOR-INVERTER PULLEY J6
224	4-401862	PIATTO REGISTRO	ADJUSTING SCREW SUPPORT PLATE
225	4-403630	PULEGGIA RIDUTTORE 6 GOLE POLY	GEAR BOX PULLEY POLY-V
226	4-404060	PIASTRA FISSAGGIO MOTORE	MOTOR SUPPORT PLATE
227	4-404461	CAVO MOTORE AUTOCENTRANTE	CABLE FOR CHUCK MOTOR
228	4-404583	CAVO AUTOCENTRANTE	CABLE
229	4-405602	SCHEDA INVERTER 230V + DISSIP.	INVERTER PCB 230V + DISSIPATOR
230	4-406148	CORPO MOTORE (SENZA INVERTER)	ELECTRIC MOTOR(WITHOUT INVERTER)
231	5-401151	RACCORDO GIREVOLE	COMPLETE ROTATING UNION
232	5-491002	RIDUTTORE CON PULEGGIA	GEARBOX WITH PULLEY
233	5-400778	RIDUTTORE SX.-G-	COMPLETE GEARBOX SX-G
234	2-00214	RONDELLA D.12	WASHER FOR HEX CAP SCREW M12
235	2-01288	VITE TCIC M6X10	CROSS PAN HEAD SCREW M6X10
236	2-02050	VITE TCEI M8X16	SOCKET HEAD CAP SCREW M8X16
237	2-03106	VITE TCEI M5X12	SOCKET HEAD CAP SCREW M5X12
238	2-71733	SPINA ELASTICA D10X20	SPRING PIN D.10X20
239	2-80043	VITE TE M12X30	HEXAGON HEAD CAP SCREW M12X30
240	3-02300	RACCORDO DIR.M1/8BSP TUBO D.6	UNION 1/8BSP D.6
241	3310807	PORTAFLANGE A SLITTA	FLANGE HOLDER
242	4-400953	CONO 40 MM SERIE 01	CONE 40MM (01)
243	4-400954	CONO 40 MM SERIE 02	CONE 40MM (02)
244	4-400955	CONO 40 MM SERIE 03	CONE 40MM (03)
245	4-400956	CONO 40 MM SERIE 04	CONE 40MM (04)
246	4-401605	CONO CENTRAGGIO 116-141 MM	CONE 116-141 MM
247	4-404072	PERNO POSTERIORE CILINDRO	CYLINDER REAR PIN
248A	4-404125	TRAVE VERTICALE (GRIGIO RAL7016)	VERTICAL ARM (GREY RAL7016)

Rif. Ref.	Codice Code	Descrizione	Description
248B	4-404548	TRAVE VERTICALE (ROSSO)	VERTICAL ARM (RED)
249	4-404126	GUIDA TRAVE SUPERIORE	UPPER CARRIAGE GUIDE
250	4-404127	GUIDA TRAVE INFERIORE	LOWER CARRIAGE GUIDE
251	4-404131	TUBO D.6 TRAVE VERTICALE	RIGID PIPE D.6
252	4-404132	TUBO D.6 TRAVE VERTICALE	RIGID PIPE D.6
253	4-404133	TUBO D.6 TRAVE VERTICALE	RIGID PIPE D.6
254	4-404134	TUBO D.6 TRAVE VERTICALE	RIGID PIPE D.6
255	4-404141	CARRELLO	CARRIAGE
256	4-404333	TARGA LEGGI MANUALE 5 LINGUE	DECAL, WARNING READ MANUAL
257	4-404334	TARGA PERICOLO ESPLOS.5 LINGUE	DECAL, WARNING PRESSURE LIMIT
258A	4-404378	CARTER PORTACONI (GRIGIO RAL9005)	CONE HOLDER (GREY RAL9005)
258B	4-407333	CARTER PORTACONI (GRIGIO RAL7016)	CONE HOLDER (GREY RAL7016)
258C	4-406837	CARTER PORTACONI (GIALLO)	CONE HOLDER (YELLOW)
258D	4-406838	CARTER PORTACONI (ROSSO)	CONE HOLDER (RED)
258E	4-406839	CARTER PORTACONI (BLU)	CONE HOLDER (BLUE)
258F	4-407229	CARTER PORTACONI (GRIGIO RAL7040)	CONE HOLDER (GREY RAL7040)
258G	4-406874	CARTER PORTACONI (GRIGIO RAL9006)	CONE HOLDER (GREY RAL9006)
259	4-404745	RASCHIATORE CARRELLO	CARRIAGE SCRAPER
260	4-404796	SPECCHIO 210x135	MIRROR 210X135
261	4-404797	SUPPORTO SPECCHIO	MIRROR HOLDER
262	4-404855	GANCIO	HOOK
263	5-401092	CILINDRO 35X580	CYLINDER 35X580
264	5-491050	PROLUNGA 1/4 L.102.5 CON RACC.	EXTENSION 1/4 L.102.5
265	5-491051	PROLUNGA 1/4 L.95 CON RACC.	EXTENSION 1/4 L.95
266	2-01224	VITE TCEI M10X45	SOCKET HEAD CAP SCREW M10X45
267	2-02184	VITE TE M10X25	HEXAGON HEAD CAP SCREW M10X25
268	2-94102	VITE TCEI M12X30	SOCKET HEAD CAP SCREW M12X30
269	3-90135	PROLUNGA 1/8"BSP M-F H=17	EXTENSION 1/8"BSP L=17
270A	4-405317	TRAVE VERTICALE (GRIGIO RAL7016)	VERTICAL ARM (GREY RAL7016)
270B	4-405805	TRAVE VERTICALE (ROSSO)	VERTICAL ARM (RED)
271	4-405319	ATTACCO CILINDRO SUPERIORE	CYLINDER HOLDER
272	4-405324	GUIDA CARRELLO	CARRIAGE GUIDE
273	4-405326	GUIDA ANTIROTAZ. CARRELLO	ANTI-ROTATION CARRIAGE GUIDE
274	4-405330	PERNO POSTERIORE CILINDRO	CYLINDER PIN
275	5-402038	CARRELLO TRAVE COMPLETO	COMPLETE CARRIAGE
276	4-405497	REGISTRO CARRELLO	CARRIAGE REGULATOR
277	4-405548	TUBO D.6 TRAVE VERTICALE	RIGID PIPE D.6
278	4-405801	SPESSORE GUIDA CARRELLO	SPACER CARRIGE GUIDE
279	4-405802	SPESSORE GUIDA ANTIROT.CARRELO	SPACER CARRIGE GUIDE
280	2-00529	VITE STEI M8X10	SOCKET SET SCREW M8X10
281	2-00975	SPINA EL.ISO8752 A D 4 X22	SPLIT PIN D. 4X22
282	2-01163	DADO AUTOBLOCCANTE M16	NUT WITH POLYAMIDE RING M16
283	2-01228	SPINA EL.ISO8752 A D 4 X14	SPRING PIN D. 4X14
284	2-01242	DADO AUTOBLOCCANTE M18X1,5	NUT WITH POLYAMID RING M18X1.5
285	2-02332	VITE TE M10X40	HEXAGON HEAD CAP SCREW M10X40

<b>Rif. Ref.</b>	<b>Codice Code</b>	<b>Descrizione</b>	<b>Description</b>
286	2-02080	VITE TCEI M4X10	SOCKET HEAD CAP SCREW M4X10
287	2-02753	VITE TCIC M5X10	CROSS PAN HEAD SCREW M5X10
288	2-03550	VITE TCEI M8X10	SOCKET HEAD CAP SCREW M8X10
291	2-71576	SPINA CIL. ISO8734 A D 5 X20	PARALLEL PIN D.5X20
292	2-80129	VITE TSPEI M6X20	SOCKET COUNTERSUNK SCREW M6X20
293	2-91680	DADO ESAGONALE BASSO M8	LOW NUT M8
294	2-94005	VITE TE M6X50	HEXAGON HEAD CAP SCREW M6X50
295	3-00239	RACCORDO A L M5 T4 ORIENTAB.	ORIENTING ELBOW FITTING M5 T.4
297	3010598	MOLLA COMPRESSIONE	HELICAL COMPRESSION SPRING
298	3016379	RASAMENTO D.25X51,5X0,5	WASHER D. 25X51,5X0,5
299	3017251	RASAMENTO D.20,3X42X0,5	WASHER 20X42X0,5
300	3019479	PERNO ARRESTO	STOPPER PIN
301	3020438	DISTANZIALE D.12,25X24X6	SPACER D 12,25X24X6
302	3-02270	ANELLO EL.SENZA CAVA 6X1	RETAINING RING 6X1
303	3-02365	IMPUGNATURA M8	HANDLE M8
304	3094883	MOLLA RICHIAMO ASTA ESAGONALE	MOUNTING BAR SPRING
305	3309271	IMPUGNATURA CHIAVISTELLO	HANDLE FOR LATCH
306	4206389	GUARNIZIONE OR4112(3,53X28,17)	O-RING 4112 (3,53X28,17)
307	4206664	PRESSACAVO SB8R-3	CABLE HOLDER SB8R-3
308	4211406	GUARNIZIONE OR3050(2,62X12,37)	O-RING 3050 (2,62X12,37)
309	4212295	GUARNIZIONE OR2125(1,78X31,47)	O-RING 2125 (1,78X31,47)
310	4217252	ANELLO ELASTICO D.40X20,3X2	CONICAL SPRING WASHER 40X20X2
311	4-400980A	GUIDA CRICCHETTO STALLONATORE	BEAD BREAKER RATCHET GUIDE
312	4-400981	PERNO CRICCHETTO STALLONATORE	BEAD BREAKER RATCHET PIN
313	5-491311	KIT RONDELLA FISSAGG. UTENSILE	FIXING TOOL WASHER
315	4-404148	SUPPORTO DISCO	DISK SUPPORT
316	4-404149	ASTUCCIO CHIAVISTELLO	LATCH CASE
317	5-491312	KIT RONDELLA FISSAGG. TORRETTA	FIXING HEAD WASHER
318	4-404179	SUPPORTO LEVA SGANCIO	UNHOOK LEVER SUPPORT
319	4-404180	LEVA SGANCIO	UNHOOK LEVER
321	4-404190	PERNO FULCRO LEVA SGANCIO	UNHOOK LEVER FULCRUM PIN
322	4-404191	MOLLA COMPRESSIONE	SPRING
323	4-404195	ATTACCO UTENSILE MONTAGGIO	MOUNTING TOOL HOLDER
324	4-404198	UTENSILE MONTAGGIO	MOUNTING TOOL
325	4-404199	ATTACCO UTENSILE SMONTAGGIO	TOOL HOLDER
326	4-404200	ATTACCO UTENSILE INFERIORE	LOWER TOOL HOLDER
327	4-404220	SUPPORTO DISCO INFERIORE	LOWER DISC SUPPORT
328	4-404245	LINGUETTA	TONGUE
329	4-404254	PERNO CARRELLO VERTICALE	VERTICAL CARRIAGE PIN
330	4-404262	CARRO CORTO	SHORT CARRIAGE
331	4-404296	PERNO DISCO STALLONATORE	BEAD BREAKER ROLLER PIN
332	4-404569	CAVO ALIMENTAZIONE LASER	LASER FEEDING CABLE
333	4-404746	FINECORSO CARRELLO SUPERIORE	UPPER CARRIAGE STROKE END
334	4-404753	STAFFA PORTALASER	LASER ARM BRACKET
335	4-404755	BRACCIO PORTALASER	LASER ARM

Rif. Ref.	Codice Code	Descrizione	Description
336	4-404762	CARRO CORTO SUPERIORE	UPPER SHORT CARRIAGE
337	4-404800	CAMICIA CILINDRO	CYLINDER CASING
338	4-404813	BRACCIO	ARM
339	4-404822	DISTANZIALE MOZZO	HUB SPACER
340	4-404932	TUBO RILSAN NERO 4-2 L.4100	RILSAN HOSE D.4-2 L.4100
341	4-405004	ATTACCO TORRETTA GIR.CON SPINA	ROTATING HEAD HOLDER
342	4-405728	UTENSILE	TOOL
344	5-401290	BRACCIO AUSILIARIO	AUXILIARY ARM
345	5-401291	SUPPORTO BRACCIO + BOCCOLA	ARM HOLDER WITH BUSH
346	5-191056	KIT SOST. TORRETTA GIREVOLE	COMPLETE ROTATING HEAD
347	5-490664	DISCO CON CUSCINETTI	DISC WITH BEARINGS
348	5-491015	LASER	LASER
349	5-402035	CARRELLO INFERIORE COMPLETO	COMPLETE LOWER CARRIAGE
350	5-402036	CARRELLO SUPERIORE COMPLETO	COMPLETE UPPER CARRIAGE
351	2-00662	VITE TCIC M4X8	CROSS PAN HEAD SCREW M4X8
352	2-01321	VITE AUTOF.TBIC D3,5X9,5	SELF-TAPPING SCREW D.3,5X9,5
353	2-01923	VITE TCEI M5X12	SOCKET HEAD CAP SCREW M5X12
354A	2019621	FILTRO/REGOLAT.+LUBRIFICATORE (BAR/PSI)	PRESSURE REGULATOR+LUBRICATOR (BAR/PSI)
354B	2019629	FILTRO/REGOLAT.+LUBRIFICATORE (KPA)	PRESSURE REGULATOR+LUBRIC. (KPA)
355	2-02036	VITE TCEI M4X55	SOCKET HEAD CAP SCREW M4X55
356	2-94027	VITE TCEI M4X70	SOCKET HEAD CAP SCREW M4X70
357	3-00083	RACCORDO RIDUZIONE 1/8C-1/8F	REDUCER G1/8 M-F
358	3-00228	RACCORDO A L 1/8" M-F	ELBOW MALE ADAPTOR G1/8 M-F
359	3-00264	RACCORDO DRITTO G1/8 T8	UNION 1/8" 8-6
360	3-00410	INNESTO RAPIDO MASCHIO	QUICK MALE UNION
361	3-00411	RUBINETTO RAPIDO D.10,5	BALL VALVE (D.10,5)
362	3-00445	RONDELLA PLASTICA 1/4"	NYLON NOTCHED-WASHER G1/4
363A	3-00423	MANOMETRO D.40 (KPA)	MANOMETER D. 40 (KPA)
363B	3-00488	MANOMETRO 1/8" 0-12 (BAR/PSI)	MANOMETER G1/8 0-12 (BAR/PSI)
364A	3-00490	MANOMETRO 1/4" 0-10 (BAR/PSI)	PRESSURE GAUGE G1/4 0-10 (BAR/PSI)
364B	3-00493	MANOM.D80 POST.1/4" 0-1000 (KPA)	MANOMETER D.80 (KPA)
365	3012530	PULSANTE	PUSH-BUTTON
366	3-01714	RACCORDO A L ORIENTAB. G1/8 T8	ORIENTING ELBOW FITTING 1/8 T8
367	3019623	SUPPORTO GRUPPO PNEUMATICO	PNEUMATIC ASSEMBLY SUPPORT
368	3-02561	PIASTRINA	PLATE
369	3315381	RIPARTITORE	MANIFOLD
370	3-90011	VALVOLA 3/2 NC P	VALVE 3/2 NC P
371	3-90012	PULSANTE A PANNELLO	PUSH-BUTTON
372	4216117	GUARNIZIONE OR2056(1,78X14)	O-RING 2056 (1,78X14)
373	4220002	BLOCCHETTO DI COLLEGAMENTO	CONNECTING BLOCK
374	4220003	FILTRO COMPLETO	COMPLETE FILTER UNIT
375	4220004	LUBRIFICATORE COMPLETO	COMPLETE LUBRICATOR UNIT
376	4220005	ATTACCO FILTRO/LUBRIFICATORE	FILTER AND LUBRICATOR HOLDER
377	4220006	TAZZA FILTRO	FILTER TANK
378	4220007	TAZZA LUBRIFICATORE	LUBRICATOR TANK



<b>Rif. Ref.</b>	<b>Codice Code</b>	<b>Descrizione</b>	<b>Description</b>
379	4220008	FILTRO	<i>FILTER</i>
380	4-400539	SUPPORTO VASO GRASSO	<i>TYRE PASTE CONTAINER SUPPORT</i>
381	4-401451A	TUBO USCITA ARIA L.2500	<i>PNEUMATIC HOSE L.2500</i>
382	4-401988	TUBO POLIURETANO A SPIRALE	<i>POLYURETHAN SPIRAL HOSE T8-5</i>
383	4-404485	VASCHETTA	<i>CONTAINER</i>
384	4-404724	PANNELLO TPM	<i>TPM PANEL</i>
385	4-404735	PIASTRA ATTACCO MANOMETRO	<i>MANIFOLD SUPPORT</i>
386	4-404737	FERMO PANNELLO	<i>PANEL STOP</i>
387A	5-491017	PANNELLO FRONTALE (GRIGIO RAL9006)	<i>LOWER FRONT PANEL(GREY RAL9006)</i>
387B	5-491056	PANNELLO FRONTALE (ROSSO)	<i>LOWER FRONT PANEL (RED)</i>
387C	5-491057	PANNELLO FRONTALE (GRIGIO RAL7016)	<i>LOWER FRONT PANEL(GREY RAL7016)</i>
387D	5-104019	PANNELLO FRONTALE (GRIGIO RAL7040)	<i>LOWER FRONT PANEL (GREY RAL7040)</i>
387E	5-103789	PANNELLO FRONTALE (BLU)	<i>LOWER FRONT PANEL(BLUE)</i>
387F	5-103788	PANNELLO FRONTALE (GIALLO)	<i>LOWER FRONT PANEL(YELLOW)</i>
388	2-00126	DADO ESAGONALE ALTO M5	<i>HIGH NUT M5</i>
389A	5-401669	FILTRO/REGOLAT.+LUBRIF.(KPA)	<i>PRESSURE REGULATOR+LUBRICATOR (KPA)</i>
389B	2020110	FILTRO/REGOLAT.+LUBRIF. (BAR/PSI)	<i>PRESSURE REGULATOR+LUBRIC. (BAR/PSI)</i>
390	4-112939	REGISTRO CARRELLO	<i>CARRIAGE REGULATOR</i>
392	2-02022	VITE TCEI M4X35	<i>SOCKET HEAD CAP SCREW M4X35</i>
393	2-02335	VITE TE M4X12	<i>HEXAGON HEAD CAP SCREW M4X12</i>
394	2-91767	VITE TE M6X12	<i>HEXAGON HEAD CAP SCREW M6X12</i>
395	2120828	SCHEDA PEDALIERA	<i>CONNECTING BOARD</i>
396	2-03514	RONDELLA D.10X16X0,5	<i>WASHER D.10X16X0,5</i>
397	3-01805	PONTE DIODI 25/A VRKBPC 25/06	<i>RECTIFIER BRIDGE</i>
398	3-01969	TAPPO COPRIFORO PER INTERRUTT.	<i>PLUG</i>
399	3-02017	TAPPO A SCATTO D.14.3	<i>PLUG D.14,3</i>
400	3-90015	INTERRUTTORE 3X25 A	<i>COMPLETE SWITCH</i>
401	3-90111	VENTILATORE ASSIALE 92X92X25	<i>AXIAL FAN 92X92X25</i>
402	3-90112	GRIGLIA VENTOLA 92X92	<i>GRID 92X92</i>
403	3-90137	PORTA FUSIBILE BIPOLARE 10X38	<i>FUSE HOLDER 10X38</i>
404	3-90138	TEMPORIZZATORE	<i>TIMER</i>
405	3-90139	RELE'	<i>RELAY</i>
406	3-90140	RELE'	<i>RELAY</i>
407	3-90142	TRASFORMATORE	<i>TRANSFORMER</i>
408	3-90143	PORTA FUSIBILE 5X20	<i>FUSE HOLDER 5X20</i>
409	4-400693	ATTACCO TUBO GONFIAGGIO	<i>INFLATING HOSE SUPPORT</i>
410	4-400694	PERNO ATTACCO TUBO	<i>INFLATING HOSE SUPPORT PIN</i>
411	4-401031	PROTEZIONE MANIPOLATORE NERO	<i>HANDLE COVER</i>
413A	4-404071	CARCASSA COLONNA (GRIGIO RAL9006)	<i>COLUMN BODY (GREY RAL9006)</i>
413B	4-407234	CARCASSA COLONNA (GRIGIO RAL7040)	<i>COLUMN BODY (GREY RAL7040)</i>
413C	4-406240	CARCASSA COLONNA (GRIGIO RAL7016)	<i>COLUMN BODY (GREY RAL7016)</i>
413D	4-404552	CARCASSA COLONNA (ROSSA)	<i>COLUMN BODY (RED)</i>
414A	4-404326	CONSOLLE (GRIGIO RAL9006)	<i>CONTROL DEVICE (GREY RAL9006)</i>
414B	4-404550	CONSOLLE (ROSSO)	<i>CONTROL DEVICE (RED)</i>
415	4-404335	TARGA COMANDI CONSOLLE	<i>CONTROL LABEL</i>

<b>Rif. Ref.</b>	<b>Codice Code</b>	<b>Descrizione</b>	<b>Description</b>
416	5-491101	KIT RICAMBIO MANIPOL. SICE	<i>HANDLE REPLACEMENT KIT</i>
417	4-404954	TAPPETINO GOMMA	<i>RUBBER MAT</i>
418	4-405079	TAPPO	<i>PLUG</i>
419	4-405091	TAPPO PORTA USB	<i>USB PLUG</i>
420	5-401241	PANNELLO ELETTRICO	<i>COMPLETE ELECTRIC PANEL</i>
421	5-401295	PULSANTE AD IMPULSO CON FRUTTI	<i>COMPLETE PUSH-BUTTON</i>
422	5-401296	PULSANTE LUMINOSO CON FRUTTI	<i>COMPLETE LIGHT PUSH BUTTON</i>
423	5-401401	SACCHETTO FUSIBILI	<i>FUSES BAG</i>
424	4219925	SPIA COMPLETA	<i>COMPLETE LAMP</i>
425A	4-405788	TARGA COMANDI CONSOLLE (NERA)	<i>CONTROL LABEL (BLACK)</i>
425B	4-405982	TARGA COMANDI CONSOLLE (GRIGIA)	<i>CONTROL LABEL (GREY)</i>
426A	4-405890	CONSOLLE (GRIGIO RAL9006)	<i>CONTROL DEVICE (GREY RAL9006)</i>
426B	4-406401	CONSOLLE (GRIGIO RAL7040)	<i>CONTROL DEVICE (GREY RAL7040)</i>
426C	4-405891	CONSOLLE (ROSSA)	<i>CONTROL DEVICE (RED)</i>
426D	4-406239	CONSOLLE (GRIGIO RAL7016)	<i>CONTROL DEVICE (GREY RAL7016)</i>
427	2-00531	VITE STEI M6X8	<i>SOCKET SET SCREW M6X8</i>
428	2-02024	VITE TE M8X25	<i>HEXAGON HEAD CAP SCREW M8X25</i>
429	2-94032	VITE TCEI M8X50	<i>SOCKET HEAD CAP SCREW M8X50</i>
430	2-94034	VITE TCEI M8X65	<i>SOCKET HEAD CAP SCREW M8X65</i>
431	2-94135	VITE TCEI M8X75	<i>SOCKET HEAD CAP SCREW M8X75</i>
432	4220823	TAPPO OLIO G1/4	<i>OIL PLUG 1/4"</i>
433	3-02378	GUARNIZIONE OR6425(107.2X5.34)	<i>O-RING 6425 (107.2X5.34)</i>
434	3-02414	GUARNIZIONE OR3037(2,62X9,19)	<i>O-RING 3037 (2,62X9,19)</i>
435	3-00767	MOTOINVERTER 230V 1PH 50/60HZ	<i>INTEGRATED MOTOR-INVERTER</i>
436	3-90193	GUARNIZIONE INFERIORE POMPA	<i>LOWER PUMP GASKET</i>
437	3-90194	GUARNIZIONE SUPERIORE POMPA	<i>UPPER PUMP GASKET</i>
438	3-90200	FILTRO OLIO COMPLETO L.115	<i>COMPLETE OIL FILTER L.115</i>
439	3-90201	FILTRO OLIO COMPLETO L.140	<i>COMPLETE OIL FILTER L.140</i>
440	3-90202	TAPPO SERBATOIO OLIO 1/2 BSP	<i>1/2" BSP PLUG</i>
441	3-90204	SERBATOIO OLIO 2.5L.	<i>OIL TANK 2,5L.</i>
442	4206347	BULLONE RACC.G1/4 FORATO	<i>UNION 1/4" BOLT</i>
443	4206391	RONDELLA RAME 1/4	<i>COPPER WASHER 1/4"</i>
444	4215146	PROLUNGA M-F BSP 1/4	<i>EXTENSION M-F 1/4 BSP</i>
445	4-404059	PIASTRA FISSAGGIO MOTORE	<i>MOTOR SUPPORT PLATE</i>
446	4-404290	TAPPO SCARICO OLIO	<i>OIL DRAIN PLUG WITH O-RING</i>
447	4-404291	VALVOLA DI RITEGNO	<i>CHECK VALVE</i>
448	4-404438	FILTRO CONV. 150M. UP110	<i>OIL FILTER</i>
449	4-404440	PARAPOLVERE BABS12 12X22X7 NBR	<i>GASKET D.12X22X7</i>
450	5-491045	TUBO GONFIAGGIO GP	<i>BLAST HOSE</i>
451	4-404499	VALVOLA DI MASSIMA PRESSIONE	<i>PRESSURE LIMIT VALVE</i>
452	4-404539	CARTUCCIA ELETTRON. SELETTORE	<i>CARTRIDGE VALVE</i>
453	4-404540	CARTUCCIA ELETTRON. ATTUATORE	<i>CARTRIDGE VALVE</i>
454	4-404541	BOBINA PER ELETTROVALVOLA	<i>SOLENOID</i>
456	4-406216	CORPO MOTORE (SENZA INVERTER)	<i>ELECTRIC MOTOR (WITHOUT INVERTER)</i>
457	5-401114	GRUPPO COMANDO 3 FUNZIONI	<i>ELECTRIC VALVE WITH SUPPORT</i>

<b>Rif. Ref.</b>	<b>Codice Code</b>	<b>Descrizione</b>	<b>Description</b>
458	5-401116	BLOCCO DI COLLEGAMENTO CON OR	CONNECTING BLOCK WITH GASKETS
459	5-490581	FLANGIA MOTORE 0,75KW CON VITI	MOTOR FLANGE WITH SCREWS
460	5-490583	GIUNTO MOTORE 0,75KW	FLEXIBLE COUPLING
461	5-490587	SERIE GUARNIZIONI POMPA	SET OF PUMP GASKET
462	5-490603	GUARNIZIONE POMPA COMPLETA	COMPLETE PUMP GASKET
463	5-490632	KIT GUARNIZIONI ELETTROVALVOLA	SET OF GASKETS
464	5-491020	POMPA 1,7 CC CON GUARNIZIONI	PUMP 1,7CC WITH GASKETS
465	5-491021	FLANGIA POMPA CON GUARNIZIONI	PUMP FLANGE WITH GASKET
466	5-491022	KIT FISSAGGIO SERBATOIO	FIXING KIT
467	5-491023	SERBATOIO OLIO 5L.	OIL TANK 5L.
468	5-491024	RACCORDO GOMITO L.30 CON TAPPO	FILLER FITTING L.30
469	2-00025	ANELLO ELASTICO D.12	RETAINING RING FOR SHAFT D.12
470	2-00032	ANELLO ELASTICO D25	RETAINING RING FOR SHAFT D.25
471	2-00036	ANELLO ELASTICO D50	RETAINING RING FOR SHAFT D. 50
472	2-01019	DADO AUTOBLOCCANTE M10	NUT WITH POLYAMIDE RING M10
473	2-03301	SPINA CIL. ISO8734 A D.10X20	PARALLEL PIN ISO8734 A D.10X20
474	3-00015	RACCORDO DRITTO T6	STRAIGHT CONNECTOR T.6
475	3-00057	RACCORDO A L 1/8 T6 ORIENTAB.	ORIENTING ELBOW FITTING 1/8 T6
476	3-00476	RACCORDO DRITTO G1/8 T6	STRAIGHT MALE ADAPTOR G1/8 T.6
477	3008878	TUBO RILSAN NERO 6-4 L.1400	RILSAN HOSE D.6-4 L.1400
478	3-01359	VALVOLA A LEVA 3/3 G1/8	MANUALLY ACTUATED VALVE G1/8
479	3013640	TARGA FRECCHE CONTRAPPOSTE	DECAL, ARROWS UP-DOWN
480	3-01613	MANIGLIA A RIPRESA M10X20 L80	ADJUSTABLE LEVER M10X20 L.80
481	3017994	TUBO RILSAN NERO 6-4 L.1500	PNEUMATIC HOSE D.6-4 L=1500 MM
482	3019488	RASAMENTO D.50,5X60X1	WASHER 50.5X60X1
483	3-02237	TAPPO VL 50X50 X 3.5-6	PLASTIC CAP 50X50X3,5
484	3305242	IMPUGNATURA A SFERA	PLASTIC BALL KNOB
485	4215918	GHIERA AUTOFRENANTE M 35X1,5	SELF-LOCKING NUT
486	4-403125	CAVALLOTTO	CLIP
487	4-403126	DISTANZIALE A V	SPACER
488	4-403128	BASE	BASE
489	4-403137	NASTRO	STEEL STRIP
490	4-403748	STELO D.25	SHAFT D. 25
491	4-403997	TAMPONE PREMI TALLONE	BEAD PRESSING ROLLER
492	4-404137	ATTACCO ARRESTO STELO	VERTICAL LOCKING PLATE
493	4-404178	MOZZO INFERIORE FILETTATO	INFERIOR HUB
494	4-404181	MOZZO SUPERIORE	SUPERIOR HUB
495	4-404212	BRACCETTO ROTANTE	ROTATING ARM
496	4-404219	BRACCIO COMANDO L=610	CONTROL ARM L=610
497	4-404300	PERNO ARRESTO STELO	LOCKING PIN
498	5-400962	VALVOLA COMANDO	COMPLETE VALVE
499	5-401133	CILINDRO D.100x120	CYLINDER D.100X120
500	5-490998	BRACCIO COMANDO BP COMPLETO	COMPLETE BP CONTROL ARM
501	2-01062	ANELLO ELASTICO D45	RETAINING RING FOR SHAFT D.45
502	2-02694	VITE TSPIC M4X10	COUNTERSUNK HEAD SCREW M4X10

Rif. Ref.	Codice Code	Descrizione	Description
503	2-94105	RONDELLA SPESS.988 45X56X0,5	WASHER D.45X56X0,5
504	3016511	TUBO RILSAN NERO 6-4 L.2150	RILSAN HOSE D.6-4 L.2150
505	4-403136	BRACCETTO ROTANTE	ROTATING ARM
506	4-404958	TAMPONE PREMITALLONE	BEAD PRESSING PAD
507	4-405255	BRACCIO COMANDO L=435	CONTROL ARM L=435
508	4-405260	BRACCIO	ARM
509	4-405263	PERNO D.45	PIN D.45
510	4-405697	SUPPORTO VALVOLA	VALVE SUPPORT
511	4-405706	PROTEZ. PERNO FINE-CORSA	PIN PROTECTION
512	4-405725	TUBO RILSAN NERO 6-4 L.1900	RILSAN HOSE D.6-4 L.1900
513	5-105142	CILINDRO D.100x120	CYLINDER D.100X120
514	5-401604	VALVOLA COMANDO	CONTROL VALVE
515	5-491026	BRACCIO COMANDO BP COMPLETO	COMPLETE BP CONTROL ARM
516	2-00014	ANELLO ELAST. PER INTERNI D52	RETAINING RING FOR BORE D.52
517	2-00792	ANELLO ELASTICO D40	RETAINING RING FOR SHAFT D.40
518	2-80020	VITE TCEI M10X40	SOCKET HEAD CAP SCREW M10X40
519	3017419	RASAMENTO D.40,5X55X1	WASHER 40.5X55X1
520	3-01923	GUARNIZIONE OR4162(3,53X40,86)	O-RING 4162 (3.53X40.86)
521	3-01925	GUARN.RASCHIATORE RBP 40X50X6	LIPPED GASKET RPB 40-50-6
522	3-02204	GUARNIZIONE PISTONE D.100 DEF	PISTON GASKET D. 100
523	3-02205	ANELLO GUIDA STELO D.40 FENOLO	WEAR RING FOR ROD D. 40
524	4217850	GUARNIZIONE OR4362(3,53X91,67)	O-RING 4362 (3.53X91.67)
525	4-403119	CAMICIA D.100 ESTRUSA	CASING D. 100
526	4-403120	TESTATA CILINDRO	CYLINDER HEAD
527	4-403121	PISTONE D.100	PISTON D. 100
528	4-403122	STELO CILINDRO	CYLINDER SHAFT
529A	4-403123	FLANGIA INF. CILINDRO (fino a matr. IEH008391)	REAR FLANGE (up to s/n IEH008391)
529B	4-405265	FLANGIA INF. CILINDRO (dalla matr. IEH008391)	REAR FLANGE (from s/n IEH008392)
530A	4-403124	FLANGIA SUP. CILINDRO (fino a matr. IEH008391)	FRONT FLANGE (up to s/n IEH008391)
530B	4-405264	FLANGIA SUP. CILINDRO (dalla matr. IEH008391)	FRONT FLANGE (from s/n IEH008392)
531	4-403140	DISTANZIALE	SPACER
532	4-403991	RONDELLA PLASTICA D.41x52x3	PLASTIC WASHER D. 41X52X3
533	2-00577	VITE TCIC M3X25	CROSS PAN HEAD SCREW M3X25
534	2-00723	DADO M8	NUT M8
535	2-01021	DADO AUTOBLOCCANTE M12	NUT WITH POLYAMIDE RING M12
537	3009469	FLANGIA ANTERIORE CIL. D.90	CYLINDER FRONT FLANGE D.90
538	3009470	FLANGIA POSTERIORE CIL. D.90	CYLINDER REAR FLANGE D.90
539	3010677	RONDELLA D.12,5X30X3	WASHER D. 12,5X30X3
540	3015315	CAMICIA CILINDRO D.90	CASING FOR CYLINDER D.90
541	3016732	TUBO RILSAN NERO 4-2 L. 180	RILSAN HOSE D.4-2 L.180
542	3-01718	RACCORDO A L ORIENTAB. 1/8 T6	ORIENTING ELBOW FITTING 1/8 T6
543	3-02225	VALVOLA 115 VPR 1/8"	PNEUMATIC VALVE 115 VPR 1/8"
544	3-02322	RACCORDO A L C4 T4	ELBOW FITTING C4 T4
545	3-01175	VALVOLA	VALVE
546	3316425	STROZZATORE D.1,5	NARROWING PIECE D. 1,5

Rif. Ref.	Codice Code	Descrizione	Description
547	4206114	GUARNIZIONE NSW 20-30-6	LIPPED GASKET NSW 20-30-6
548	4209463	GUARNIZIONE PISTONE D.90	GASKET WHIT FLANGE D.90
549	4209464	GUARNIZIONE OR4325(3,53X82,14)	O-RING 4325 (3.53x82.14)
550	4-401141	RASAMENTO D.20,3X30X0,5	WASHER D. 20,3X30X0,5
551	4-402556	PERNO FULCRO CILINDRO	CYLINDER PIN
552	4-404589	TIRANTE ANTIROTAZ. COMPLETO	ANTI-ROTATION SHAFT
553	4-404591	STELO CILINDRO	SHAFT FOR CYLINDER
554	4-404593	SUPPORTO VALVOLA	VALVE SUPPORT
555	4-404594	TIRANTE CILINDRO M8	TIE ROD M8
556	4-404603	PEDANA SALDATA	PLATFORM
557	4-404606	PERNO D.20	PIN D.20
558	4-404610	BASE SOLLEVATORE	LIFT FRAME
559	4-404614	BRACCIO COMPLETO	LIFT ARM
560	4-404933	TUBO RILSAN NERO 6-4 L. 120	RILSAN HOSE D.6-4 L.120
561	4-404934	TUBO RILSAN NERO 6-4 L. 140	RILSAN HOSE D.6-4 L.140
562	4-405077	TUBO RILSAN NERO 6-4 L. 310	RILSAN HOSE D.6-4 L.310
563	5-401104	VALVOLA 115 VPR 1/8" +RACCORDI	VALVE 115 VPR 1/8" WITH UNIONS
564	5-401242	CILINDRO D.90x195 COMPLETO	COMPLETE CYLINDER D.90X195
565	5-490272	SET GUARNIZIONI CIL. D.90X150	SET OF GASKET CYLINDER D.90
568	4-405167	BASE SOLLEVATORE	LIFT FRAME
569	4-405178	BRACCIO SOLLEVATORE COMPLETO	LIFT ARM
570	4-405181	PERNO D.20 COMPLETO	PIN D.20
571	4-405182	DISTANZIALE	SPACER
572	4-405186	PEDANA SALDATA	PLATFORM
573	4-405187	PERNO STELO CILINDRO	CYLINDER PIN
574	4-405458	ADESIVO PEDANA	PLATFORM LABEL
575	4-405472	TIRANTE ANTIROTAZ. COMPLETO	ANTI-ROTATION SHAFT
576	2-00209	RONDELLA D.4	WASHER FOR HEX CAP SCREW M4
577	2-02004	VITE TE M4X20	HEXAGON HEAD CAP SCREW M4X20
578	2-02336	VITE TE M4X8	HEXAGON HEAD CAP SCREW M4X8
579	3015280	TUBO RILSAN NERO 4-2 L. 250	RILSAN HOSE D.4-2 L.250
580	3-90108	VALVOLA 3/2 NC P	VALVE 3/2 NC P
581	4-405537	ASTUCCIO	COVER
582	4-405538	CURSORE	CURSOR
583	4-405585	SUPPORTO BLAST	BLAST HOLDER
584	2-00125	DADO ALTO M4	HIGH NUT M4
585	2-00145	DADO ESAGONALE M2	NUT M2
586	2-00606	VITE TCIC M4X16	CROSS PAN HEAD SCREW M4X16
587	2-00879	RONDELLA D.2	WASHER FOR HEX CAP SCREW M2
588	2-03163	VITE TC M2X12	SLOTTED HEAD SCREW M2X12
589	2-91686	VITE AUTOF. TBIC D2,2X 6,5	SELF-TAPPING SCREW D.2,2X6,5
590	3015528	DISTANZIALE D.4,25X9,5X9	ELECTRONIC BOARD SPACER
591	3-02384	DISTANZIALE TONDO D.6 H5 M3	SPACER D.6 H5
592	32024295A	SCHEDA PSB1 ASSEMBLATA FOX-LCD	PC BOARD PSB1 FOX-LCD
593	4-404270	PROTEZIONE VIDEOCAMERA	CAMERA PROTECTION

<b>Rif. Ref.</b>	<b>Codice Code</b>	<b>Descrizione</b>	<b>Description</b>
594	4-404271	DISTANZIALE VIDEOCAMERA	<i>CAMERA SPACER</i>
595	4-404272	VETRINO VIDEOCAMERA	<i>CAMERA PROTECTION GLASS</i>
596	4-404273	GOMMA SPUGNA VIDEOCAMERA	<i>SPONGE RUBBER</i>
597	4-404483	SUPPORTO TELECAMERA	<i>CAMERA HOLDER</i>
598	4-404523	CAVO TELECAMERA	<i>VIDEO CABLE</i>
599	4-404570	CAVO ALIMENT. ILLUMINATORE	<i>CABLE ILLUMINATOR</i>
600	4-404723	STAFFA SUPPORTO DISPLAY	<i>DISPLAY HOLDER</i>
601	4-404774	TARGA MONITOR	<i>MONITOR COVER LABEL</i>
602	4-405432	TARGA MONITOR	<i>MONITOR COVER LABEL</i>
603	4-405433	STAFFA SUPPORTO DISPLAY	<i>DISPLAY HOLDER</i>
604A	4-405614	ILLUMINATORE A INFRAROSSI	<i>INFRA-RED ILLUMINATOR</i>
604B	4-404274	ILLUMINATORE (LUCE BIANCA)	<i>ILLUMINATOR (WITHE LIGHT)</i>
605A	4-405638	TELECAMERA PER INFRAROSSI	<i>INFRA-RED CAMERA</i>
605B	4-404482	TELECAMERA	<i>CAMERA</i>
606	5-401305	GRUPPO MONITOR	<i>COMPLETE MONITOR</i>
607	5-401558	GRUPPO MONITOR	<i>COMPLETE MONITOR</i>
608A	5-401167	GRUPPO TELECAMERA	<i>CAMERA ASSEMBLY</i>
608B	5-401666	GRUPPO TELECAMERA A INFRAROSSI	<i>INFRA-RED CAMERA ASSEMBLY</i>
609	5-491047	MONITOR LCD	<i>LCD MONITOR</i>
610	5-491048	MONITOR LCD	<i>LCD MONITOR</i>
611	5-491049	SACCHETTO FUSIBILI	<i>FUSES BAG</i>
612	2-00124	DADO ESAGONALE ALTO M3	<i>HIGH NUT M3</i>
613	2-02436	VITE TC M3X6	<i>SLOTTED HEAD SCREW M3X6</i>
614	2201134	SACCHETTO FUSIBILI	<i>FUSES BAG</i>
615	2-80167	VITE AUTOF. TBIC D2,2X 9,5	<i>SELF-TAPPING SCREW D.2,2X9,5</i>
616	3-90006	NOTTOLINO	<i>PAWL</i>
617	3-90013	PIEDE DI MONTAGGIO	<i>FIXING CLIP</i>
618	4-404056	TARGA COMANDI TPM	<i>PUSH-BUTTON PANEL</i>
619	4-404571	CAVO PROLUNGA USB	<i>USB EXTENSION CABLE</i>
620	4-404636	PORTAFUSIBILE CABLATO	<i>FUSE HOLDER</i>
621	4-404665	SCHEDA TASTIERA TPM	<i>TPM PRINTED CIRCUIT BOARD</i>
622	4-404666	MONITOR LCD	<i>LCD MONITOR</i>
623	4-404667	ALIMENTATORE PER TPM	<i>TPM FEEDER</i>
624	4-404668	SCHEDA BASE TPM	<i>TPM PC BOARD</i>
625	4-404669	ECCITATORE TPM	<i>TPM ACTIVATOR</i>
626	4-404684	CAVO ECCITATORE TPM	<i>CABLE FOR TPM ACTIVATOR</i>
627	4-404725	PANNELLO TPM	<i>TPM PANEL</i>
628	4-404733	STAFFA SCHEDA TPM	<i>PC BOARD SUPPORT</i>
629	4-405125	PANNELLO FRONTALE	<i>FRONT PANEL</i>
630	5-401318	ALIMENTATORE TPM COMPLETO	<i>COMPLETE TPM FEEDER</i>
631	9328315	COLONNETTA SCHEDA	<i>STUD FOR BOARD</i>
632	9433848	INTERRUTTORE BIPOLARE	<i>BIPOLAR SWITCH</i>
633	9601850	RONDELLA NYLON D.4	<i>PLASTIC WASHER D. 4</i>
634	5-401521	SCHEDA USB	<i>USB PC BOARD</i>
635	2-01979	DADO AUTOBLOCCANTE M6	<i>NUT WITH POLYAMIDE RING M6</i>

<b>Rif. Ref.</b>	<b>Codice Code</b>	<b>Descrizione</b>	<b>Description</b>
637	2411999	MEMBRANA VALVOLA SOFFIAGGIO	DIAPHRAGM
639	2-94006	VITE TCEI M6X40	SOCKET HEAD CAP SCREW M6X40
640	3-00008	RACCORDO A RESCA G1/2 T17	HOSE CONNECTION 1/2" T17
641	3-00075	VITE DOPPIA 1/8	BANJO STEM DOUBLE - SHORT G1/8
642	3-00269	RIDUZIONE 1/4M -1/8F	REDUCTION 1/4" M - 1/8" F
643	3-00514	RACCORDO AD ANELLO 1/8-T4	SINGLE BANJO BODY G1/8 T.4
644	3-00515	RACCORDO AD ANELLO 1/8-T6	SINGLE BANJO BODY G1/8 T.6
645	3-00961	RACCORDO A GOMITO 1"	L-UNION 1"
646	3-01573	VALVOLA DI SICUREZZA G1/4	SAFETY VALVE G1/4"
647	3020962	LAMIERA PROTEZIONE VALVOLA	VALVE PROTECTION
648	3-90014	MINIVALVOLA A MANIGLIA	CONTROL HANDLE
649	3-90076	FASCETTA STRINGITUBO D.18-28	HOSE CLAMP D.18-28
650	4-404404	PORTA BLAST	BLAST HOLDER
651	4-404655	UGELLO BLAST	BLAST INLET
652	4-404915	TUBO RILSAN NERO 4-2 L. 400	RILSAN HOSE D.4-2 L.400
653	5-401361	SERBATOIO COMPLETO	COMPLETE TANK
654	5-401363	GRUPPO VALVOLA PNEUM. SPARO	COMPLETE INFLATING VALVE
655	5-401211	GRUPPO TRASCINATORE	DRIVER ASSEMBLY
656	5-491065	SERIE GUARNIZIONI CILINDRO	SET OF GASKETS
657A	4-405800	TARGA S 300 (NERA)	S300 LABEL (BLACK)
657B	4-405977	TARGA S 300 (GRIGIA)	S 300 LABEL (GREY)
657C	4-112603	TARGA S 300 (BIANCA)	S300 LABEL (WHITE)
658A	5-103763	PROTEZIONE PEDALI (ROSSA)	PEDAL COVER (RED)
658B	5-103882	PROTEZIONE PEDALI (GIALLA)	PEDAL COVER (YELLOW)
658C	5-103884	PROTEZIONE PEDALI(GRIGIO RAL7016)	PEDAL COVER (GREY RAL7016)
658D	5-103883	PROTEZIONE PEDALI (GRIGIO RAL7040)	PEDAL COVER (GREY RAL7040)
658E	5-104129	PROTEZIONE PEDALI (BLU)	PEDAL COVER (BLUE)
658F	5-103765	PROTEZIONE PEDALI (GRIGIO RAL9006)	PEDAL COVER (GREY RAL9006)
660A	5-103764	FIANCATA COMPLETA (ROSSA)	SIDE PANEL (RED)
660B	5-103885	FIANCATA COMPLETA (GRIGIO RAL7040)	SIDE PANEL (GREY RAL7040)
660C	5-103886	FIANCATA COMPLETA(GIALLO)	SIDE PANEL (YELLOW)
660D	5-491053	FIANCATA COMPLETA (GRIGIO RAL7016)	COMPLETE SIDE PANEL(GREY RAL7016)
660E	5-103887	FIANCATA COMPLETA (BLU)	SIDE PANEL (BLUE)
660F	5-103766	FIANCATA COMPLETA (GRIGIO RAL9006)	SIDE PANEL (GREY RAL9006)
661	4-406373	PIASTRINO FILETTATO	PLATE
662	4-406910	BRACCIO PORTALASER	LASER ARM
664	2-91714	VITE TE M6X10	HEXAGON HEAD CAP SCREW M6X10
665	5-402006	BRACCIO CON LASER	COMPLETE LASER ARM
666	4-406908	STAFFA PORTALASER	LASER ARM BRACKET
667	2-00819	VITE STEI M8X10	SOCKET SET SCREW M8X10
668	2-01985	VITE TCEI M10X20	SOCKET HEAD CAP SCREW M10X20
669	2-03636	VITE TCEI M16X35	SOCKET HEAD CAP SCREW M16X35
670A	4-406832	FRONTALE PEDALIERA (GRIGIO RAL7016)	FRONT PANEL (GREY RAL7016)
670B	4-407232	FRONTALE PEDALIERA (GRIGIO RAL7040)	FRONT PANEL (GREY RAL7040)
672	4-406899A	FLANGIA	FLANGE

Rif. Ref.	Codice Code	Descrizione	Description
673	4-407355	RONDELLA FISSAGGIO UTENSILE	TOOL FIXING WASHER
674	3-03201	RONDELLA NORD-LOCK NL16	NORD-LOCK NL16 WASHER
677	2-71449	VITE TCIC M6X16	CROSS PAN HEAD SCREW M6X16
678A	5-104008	PEDALIERA (GRIGIO RAL7040)	COMPLETE PEDAL SYSTEM(GREY RAL7040)
678B	5-104127	PEDALIERA COMPLETA (GRIGIO RAL7016)	COMPLETE PEDAL SYSTEM (GREY RAL7016)
679	5-401300	SPECCHIO COMPLETO	MIRROR WITH HOLDER
680	2-00062	VITE TCEI M10X20	SOCKET HEAD CAP SCREW M10X20
681	2-00380	VTE 5739 8.8 BR M10X 25	HEXAGON HEAD CAP SCREW M10X25
682	2-71543	ROSETTA EL. 8842 A BR D10	TOOTH WASHER D. 10
683	4-112941	PATTINO CARRELLO	CARRIAGE REGULATOR
684	4-405786	CONO CENTRAGGIO 53.5-134 mm	CONE 53.5-134 MM
685	5-104027	CARRELLO TRAVE VERTICALE	CARRIAGE
686	4-113083	DISTANZIALE ALLINEAM.TORRETTA	SPACER
687	4-112895	PERNO D.8	PIN D.8
688	4208933	POSIZIONATORE A SFERA	SPHERIC POSITIONER
689	4215545	ANELLO EL. EST. S.CAVA "G" 8X1	RETAINING RING FOR SHAFT D.8
691	4-406097	BRACCIO	ARM
692	4-406103	CERNIERA	HINGE
693	4-406107	SUPPORTO DISCO INFERIORE	LOWER DISC SUPPORT
694	4-406902	BLOCCAGGIO DISCO STALLONATORE	DISC STOPPER
695	4-407486	PERNO FISSO CON FLANGIA	FIXED PIN
696	4-407487	CHIAVISTELLO	LATCH
697	4-407488	VITE FORATA	SPECIAL SCREW
698	4-407491	PIOLO ARRESTO	STOPPER PIN
699	462494	MOLLA A/3366	SPRING
700	5-103889	ATTACCO TORRETTA GIREVOLE	ROTATING HEAD HOLDER WITH PIN
701	5-103890	TORRETTA GIREVOLE COMPL.	COMPLETE ROTATING HEAD
702	5-401791	DISCO STALLONATORE INFERIORE	LOWER BEAD-BREAKER DISC
703	5-401792	DISCO STALLONATORE SUPERIORE	UPPER BEAD-BREAKER DISC
704	2-94126	SPINA CIL. ISO8734 A D12 X45	PARALLEL PIN D.12X45
705	2-03561	VITE TCEI M10X60	SOCKET HEAD CAP SCREW M10X60
706	5-402029	ATTACCO UTENSILE INFERIORE	LOWER TOOL HOLDER
707	3011413	RASAMENTO D.20,5X30X0,3	WASHER 20.5X30X0.3

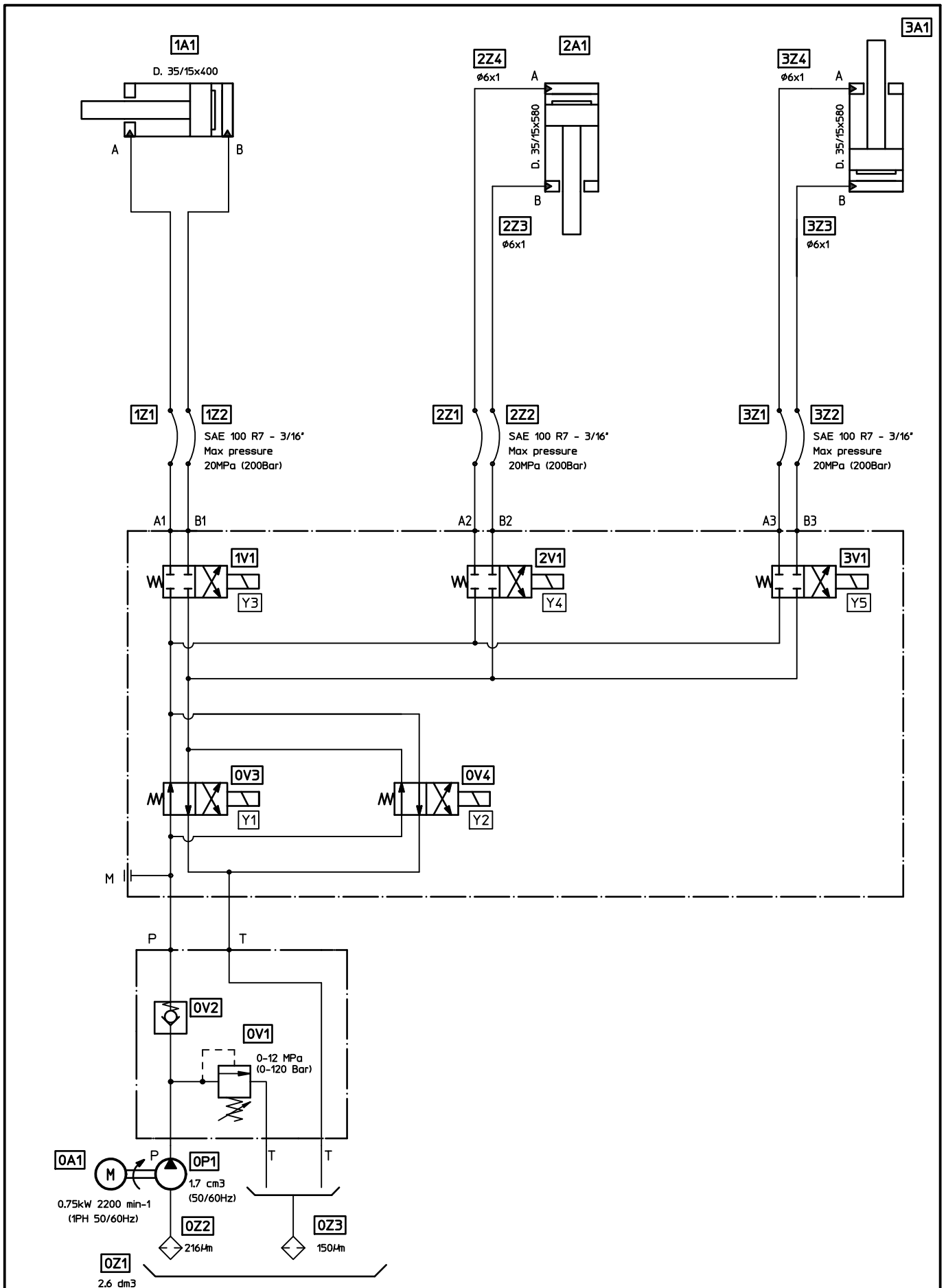




Valvola pilota (optional)	<b>0V1</b>	<i>Pilot valve (optional)</i>
Valvola di intallatura (optional)	<b>0V2</b>	<i>Bead seating valve (optional)</i>
Valvola a maniglia (optional)	<b>0V3-0V4</b>	<i>Handle control (optional)</i>
Valvola di sicurezza (optional)	<b>0V5</b>	<i>Safety valve (optional)</i>
Valvola di sicurezza ¼ (optional)	<b>0V6</b>	<i>Safety valve ¼ (optional)</i>
Valvola gonfiaggio rapido	<b>0V7</b>	<i>Quick inflating valve</i>
Valvola comando gp	<b>0V8</b>	<i>GP control valve</i>
Pulsante	<b>0V9</b>	<i>Push button</i>
Innesto rapido maschio	<b>0Z1</b>	<i>Quick union</i>
Gruppo filtro regolatore + lubrificatore	<b>0Z2</b>	<i>Water separator and press. regulator + lubricator</i>
Serbatoio (optional)	<b>0Z3</b>	<i>Air tank (optional)</i>
Ugello Blast (optional)	<b>0Z4</b>	<i>Blast inlet (optional)</i>
Testina di gonfiaggio	<b>0Z5</b>	<i>Inflating head</i>
Manometro	<b>0Z6</b>	<i>Pressare gauge</i>
Cilindro bloccaggio ruote	<b>1A1</b>	<i>Locking cylinder</i>
Valvola autocentrante	<b>1V1</b>	<i>Self-centering valve</i>
Valvola scarico rapido	<b>1V2</b>	<i>Quick air discharge valve</i>
Raccordo girevole	<b>1Z1</b>	<i>Rotary union assembly</i>
Cilindro sollevatore (optional)	<b>2A1</b>	<i>Lifting cylinder (optional)</i>
Valvola sollevatore (optional)	<b>2V1-2V2</b>	<i>Lifting valve (optional)</i>
Valvola comando sollevatore (optional)	<b>2V3</b>	<i>Lifting control valve (optional)</i>
Cilindro azionamento carrello	<b>3A1</b>	<i>Carriage cylinder</i>
Valvola comando carrello	<b>3V1</b>	<i>Carriage control valve</i>
Cilindro di arresto	<b>4A1</b>	<i>Stopping cylinder</i>
Microvalvola	<b>4V1</b>	<i>Microvalve</i>

# SCHEMA OLEODINAMICO

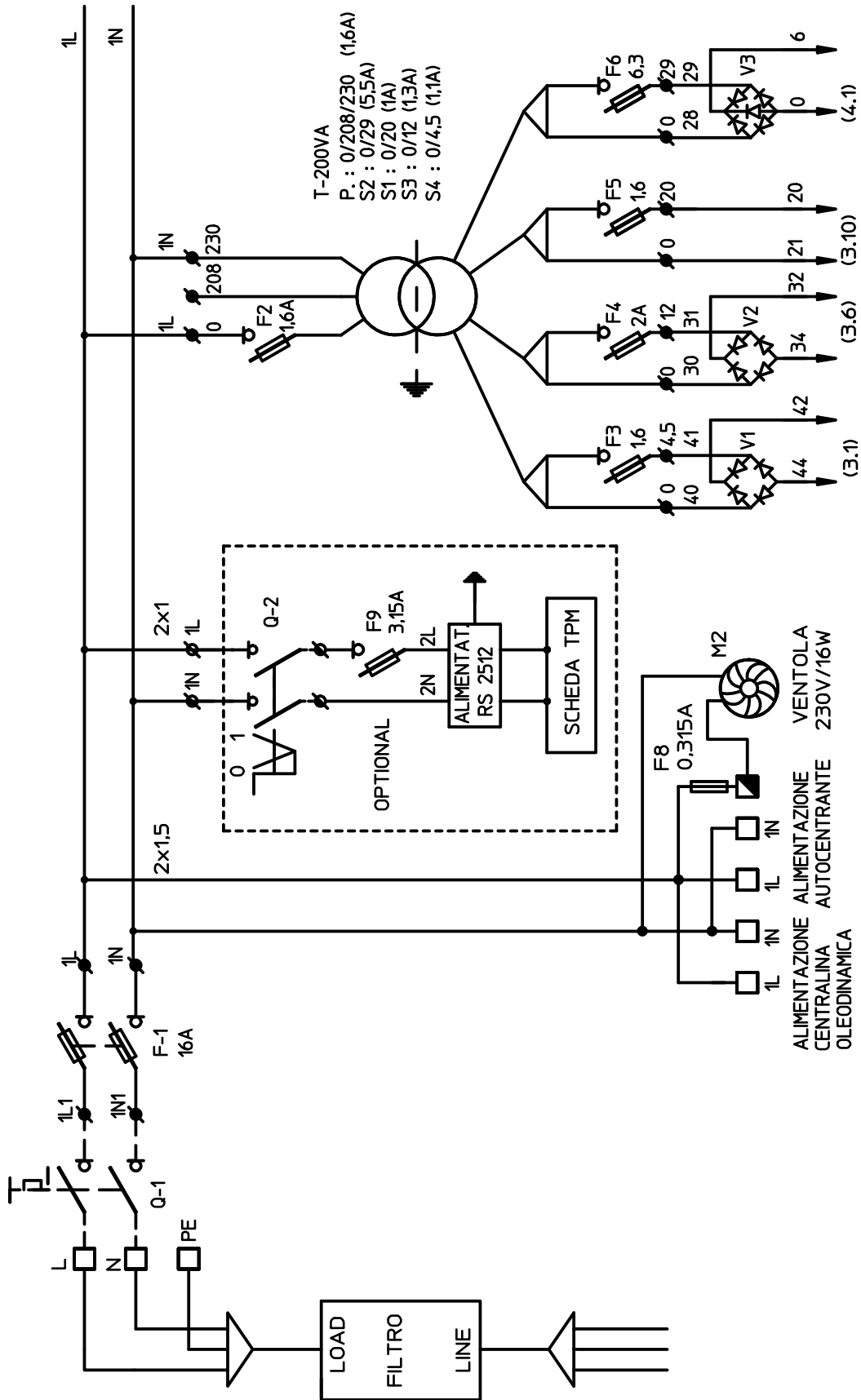
# OLEODINAMIC DIAGRAM



Motore centralina oleodinamica	<b>0A1</b>	<i>Hydraulic gearbox motor</i>
Pompa ad ingranaggi	<b>0P1</b>	<i>Pump with gears</i>
Valvola limitatrice di pressione	<b>0V1</b>	<i>Pressure limit valve</i>
Valvola unidirezionale	<b>0V2</b>	<i>Unidirectional valve</i>
Elettrovalvola selezione circuito	<b>0V3-0V4</b>	<i>Circuit selection electric-valve</i>
Serbatoio centralina	<b>0Z1</b>	<i>Oil tank</i>
Filtro aspirazione	<b>0Z2</b>	<i>Suction filter</i>
Filtro scarico	<b>0Z3</b>	<i>Discharge filter</i>
Cilindro carro orizzontale	<b>1A1</b>	<i>Horizontal carriage cylinder</i>
Elettrovalvola comando cilindro	<b>1V1</b>	<i>Cylinder control electric-valve</i>
Tubo flessibile	<b>1Z1-1Z2</b>	<i>Hose</i>
Cilindro carro verticale inferiore	<b>2A1</b>	<i>Lower vertical carriage cylinder</i>
Elettrovalvola comando cilindro	<b>2V1</b>	<i>Cylinder control electric-valve</i>
Tubo flessibile	<b>2Z1-2Z2</b>	<i>Hose</i>
Tubo rigido	<b>2Z3-2Z4</b>	<i>Pipe</i>
Cilindro carro verticale superiore	<b>3A1</b>	<i>Upper vertical carriage cylinder</i>
Elettrovalvola comando cilindro	<b>3V1</b>	<i>Cylinder control electric-valve</i>
Tubo flessibile	<b>3Z1-3Z2</b>	<i>Hose</i>
Tubo rigido	<b>3Z3-3Z4</b>	<i>Pipe</i>

# SCHEMA ELETTRICO

# ELECTRIC DIAGRAM



# SCHEMA ELETTRICO

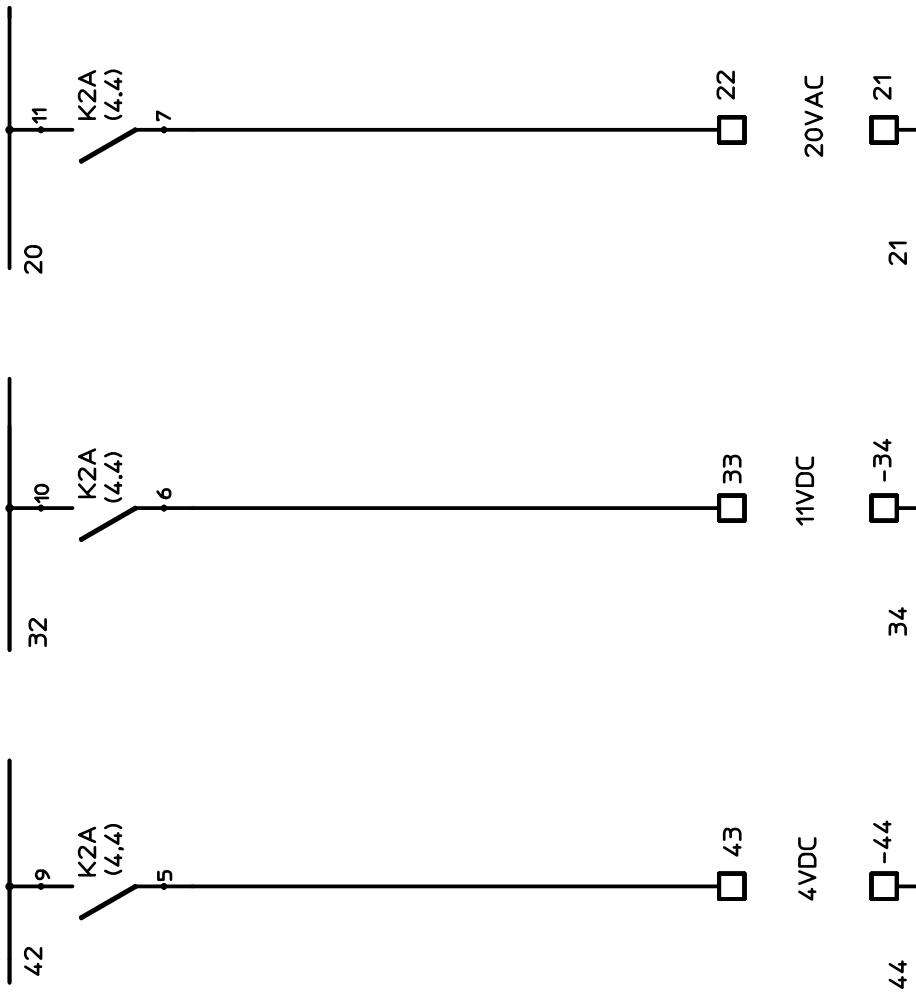
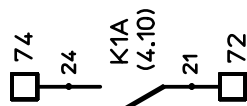
# ELECTRIC DIAGRAM

COMANDO CENTRALINA  
OLEODINAMICA

SCHEDA TELECAMERA

ALIMENTAZIONI  
ILLUMINAZIONE E LED

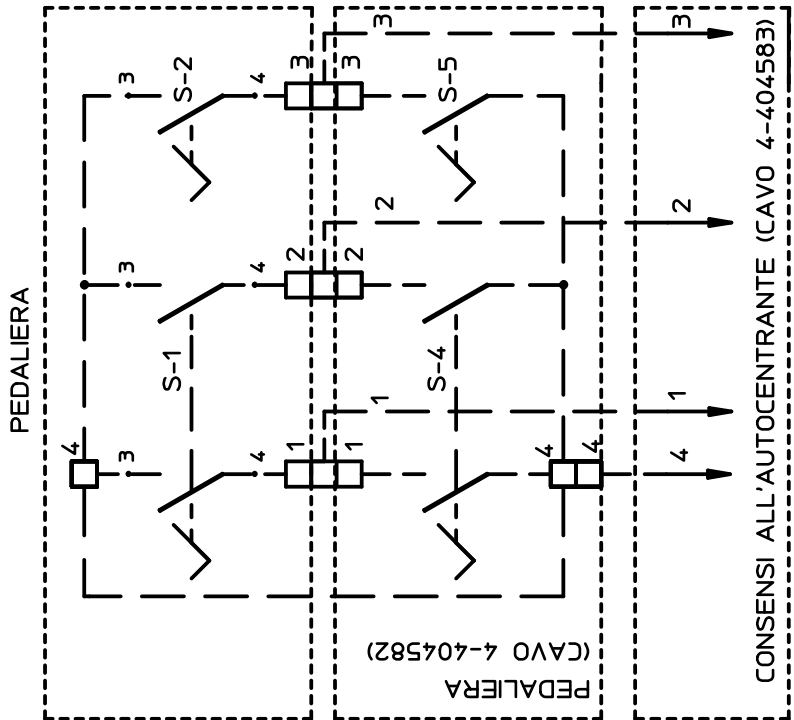
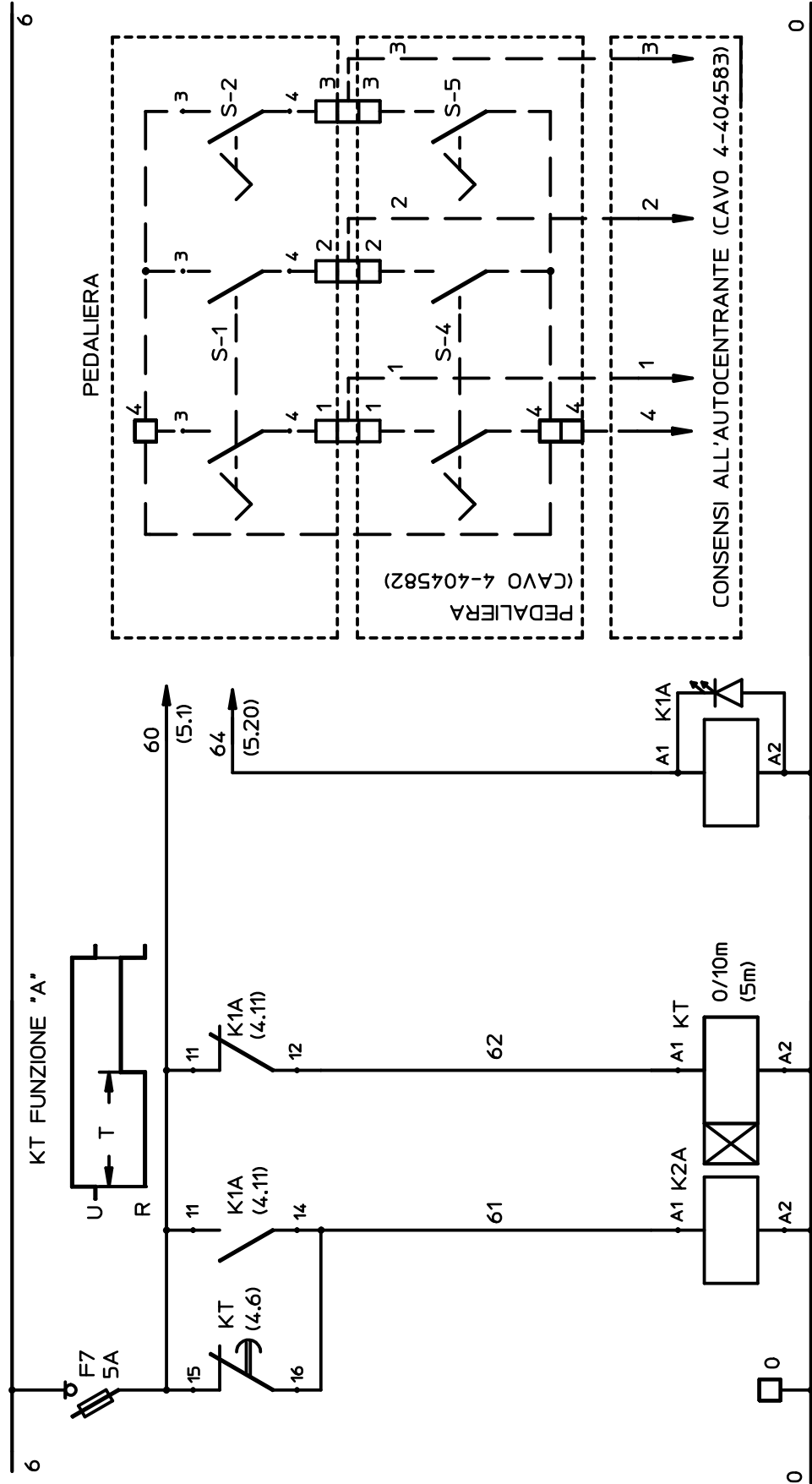
LASER



# SCHEMA ELETTRICO

# ELECTRIC DIAGRAM

SENSO ORARIO SENSORE SENSORE SENSORE  
 ORARIO DOPPIAVELOCITA' ANTIORARIO

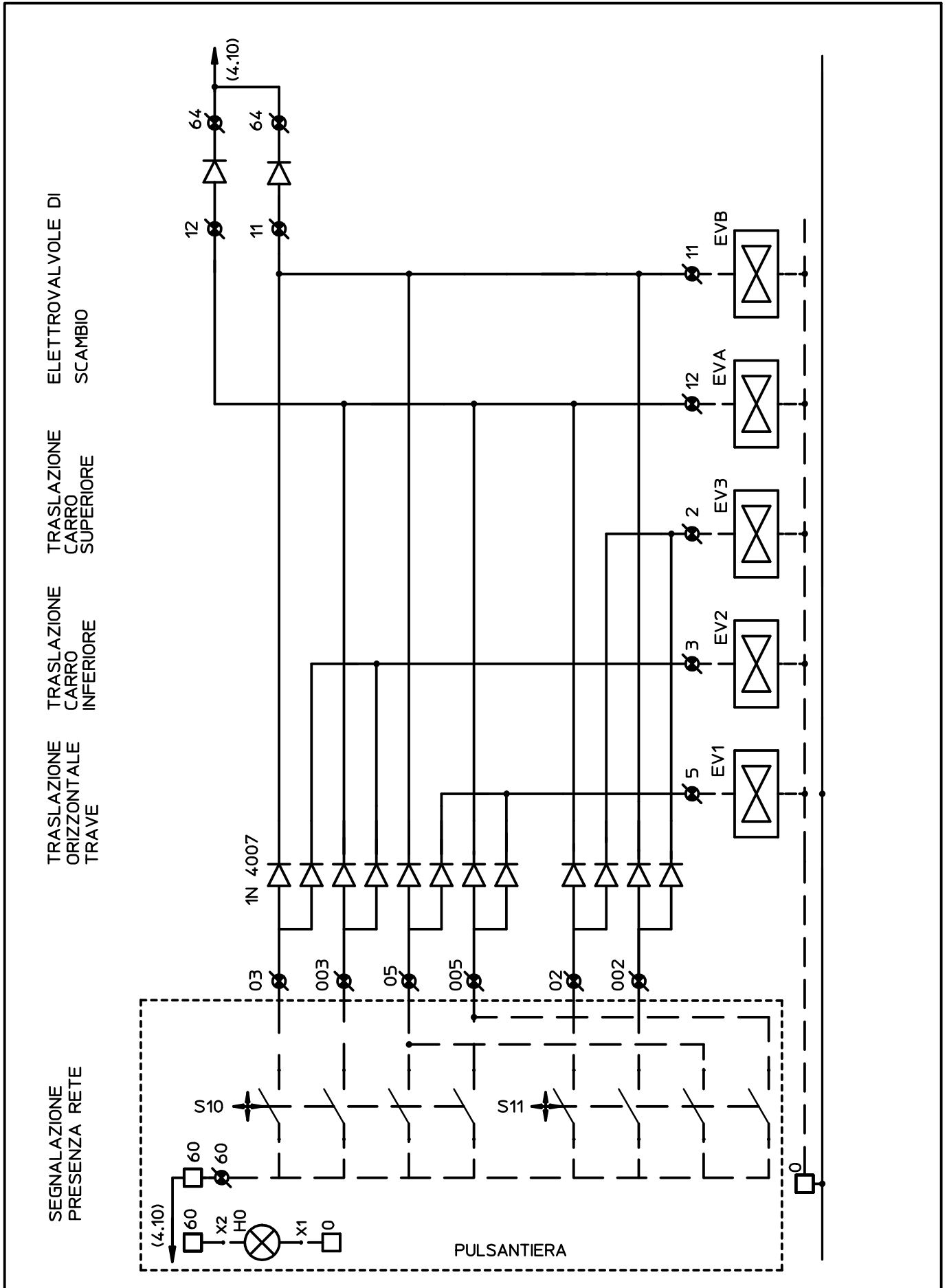


PEDALIERA  
 (CAVO 4-404582)

CONSENSI ALL'AUTOCENTRANTE (CAVO 4-404583)

# SCHEMA ELETTRICO

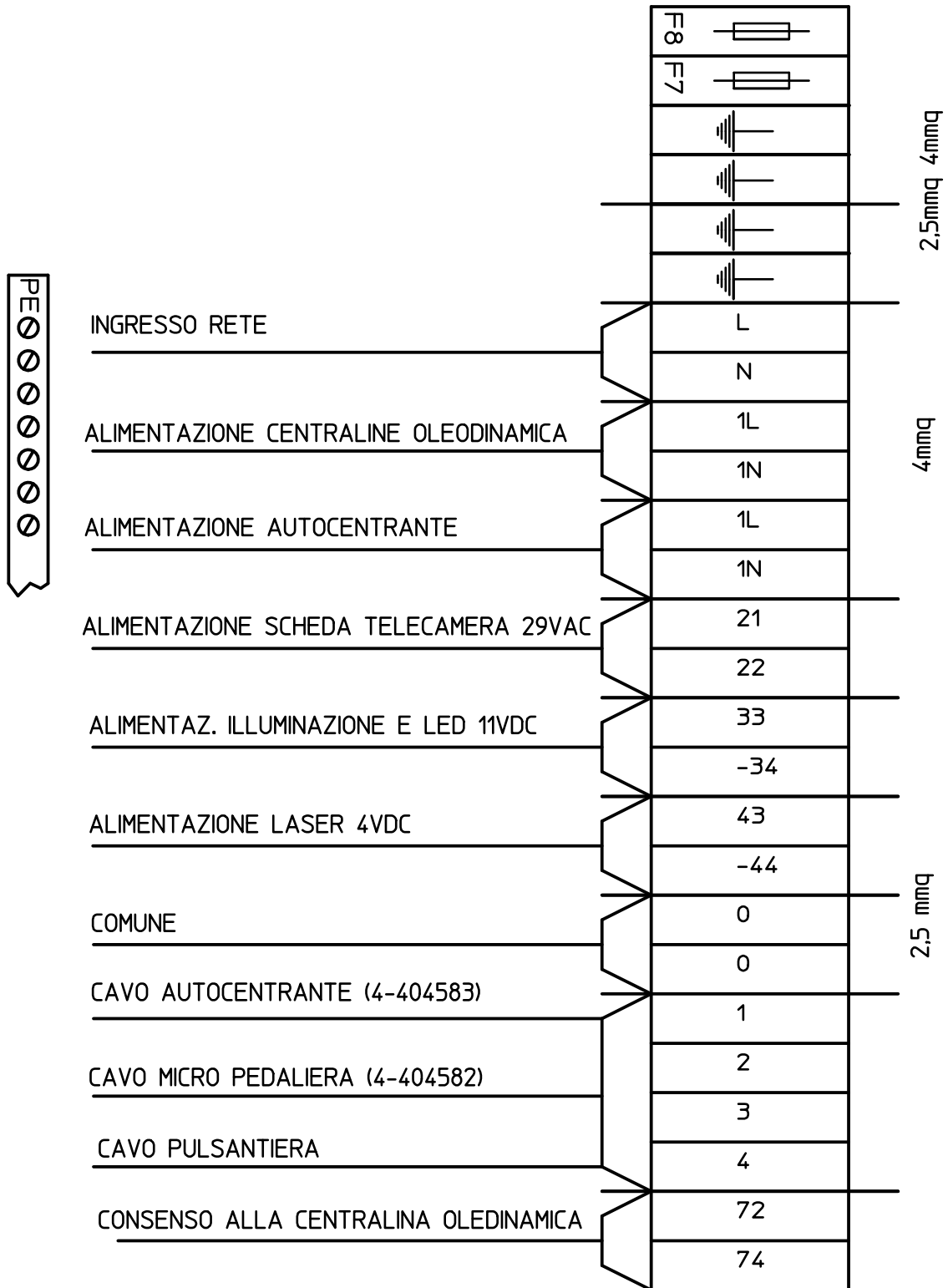
# ELECTRIC DIAGRAM





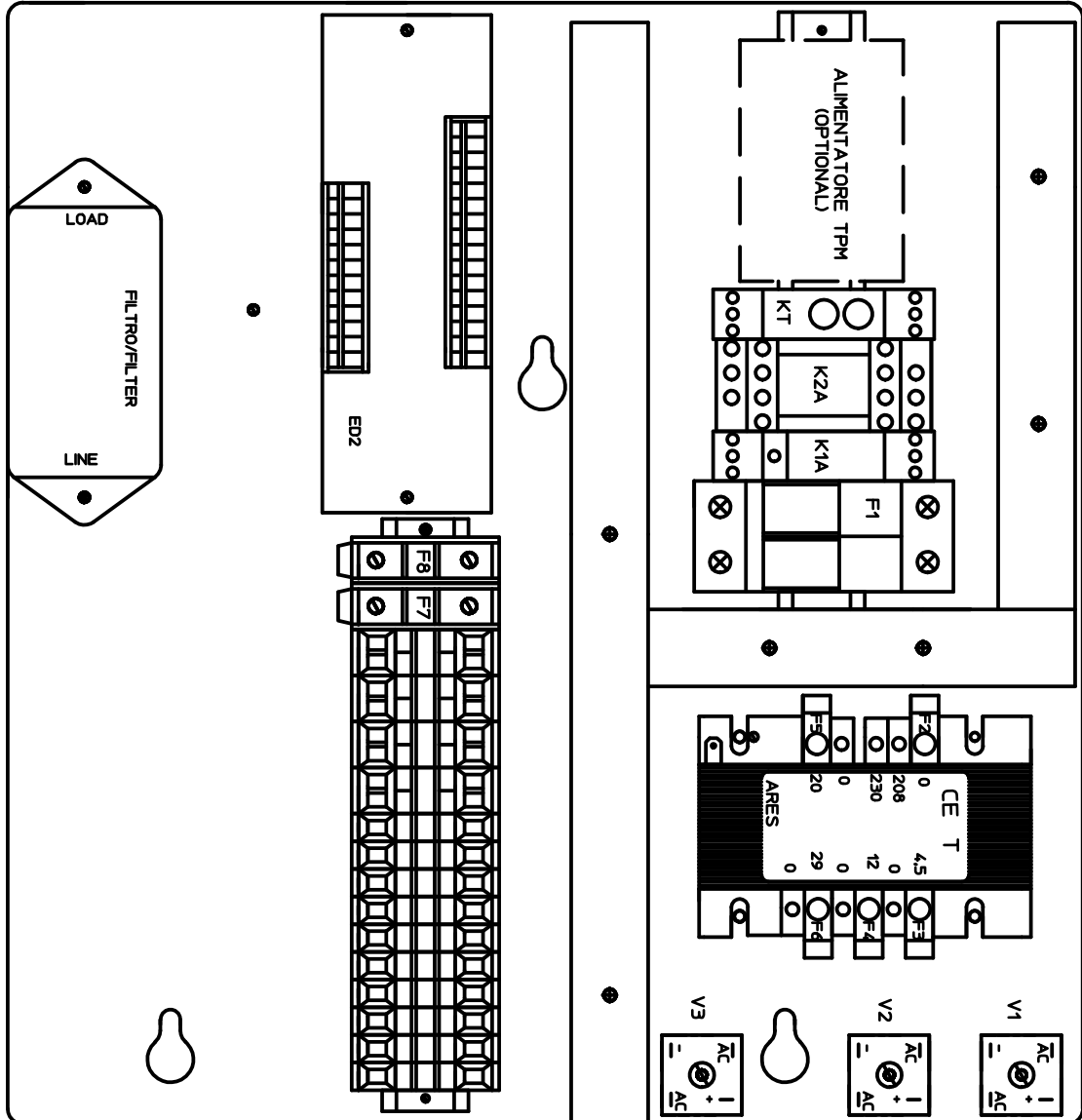
# SCHEMA ELETTRICO

# ELECTRIC DIAGRAM



# CENTRALINA ELETTRICA

# ELECTRIC BOX



Fusibile 16A	<b>F1</b>	<i>Fuse 16A</i>
Fusibile 0.315A	<b>F8</b>	<i>Fuse 0.315A</i>
Ventola	<b>M2</b>	<i>Axial fan</i>
Fusibile 3.15A (optional)	<b>F9</b>	<i>Fuse 3.15A (optional)</i>
Interruttore TPM (optional)	<b>Q2</b>	<i>Main switch TPM (optional)</i>
Fusibile 1.6A	<b>F2-F3-F5</b>	<i>Fuse 1.6A</i>
Fusibile 2A	<b>F4</b>	<i>Fuse 2A</i>
Fusibile 6.3A	<b>F6</b>	<i>Fuse 6.3A</i>
Trasformatore	<b>T</b>	<i>Transformer</i>
Ponte di diodi	<b>V1-V2-V3</b>	<i>Diodes bridge</i>
Relè	<b>K2A</b>	<i>Relay</i>
Relè	<b>K1A</b>	<i>Relay</i>
Fusibile 5A	<b>F7</b>	<i>Fuse 5A</i>
Temporizzatore	<b>KT</b>	<i>Timer</i>
Rotazione oraria autocentrante	<b>S1</b>	<i>Clockwise chuck rotation</i>
Rotazione antioraria autocentrante	<b>S2</b>	<i>Anti-clockwise chuck rotation</i>
Rotazione oraria autocentrante	<b>S4</b>	<i>Clockwise chuck rotation</i>
Rotazione antioraria autocentrante	<b>S5</b>	<i>Anti-clockwise chuck rotation</i>
Lampada spia rete	<b>H0</b>	<i>Feeding warning light</i>
Traslazione carro superiore e orizzontale	<b>S10</b>	<i>Carriage translation, upper and horizontal</i>
Traslazione carro inferiore e orizzontale	<b>S11</b>	<i>Carriage translation, lower and horizontal</i>



**SICE**  
AUTOMOTIVE EQUIPMENT

**SOCIETA' ITALIANA COSTRUZIONI ELETTROMECCANICHE S.I.C.E. -S.p.A.**  
**Via Modena, 34 - 42015 CORREGGIO (RE) - ITALY**

Tel. (0522) 693640  
Fax (0522) 642882  
E-mail: [sice@sice.it](mailto:sice@sice.it)

Export dept.:  
Internet: <http://www.sice.it>

Tel. (059) 348611  
Fax (059) 359358  
E-mail: [sice@atlantesrl.com](mailto:sice@atlantesrl.com)