

# S43 24''

Pezzi di ricambio / Spare parts list



Code: 4-123727

Production date: 02 / 2018



[www.sice.it](http://www.sice.it) - [sice@sice.it](mailto:sice@sice.it)

**I**

**Sul presente documento sono stati evidenziati con colore grigio i ricambi consigliati e indicati in grassetto i codici che sono variati.**

**EN**

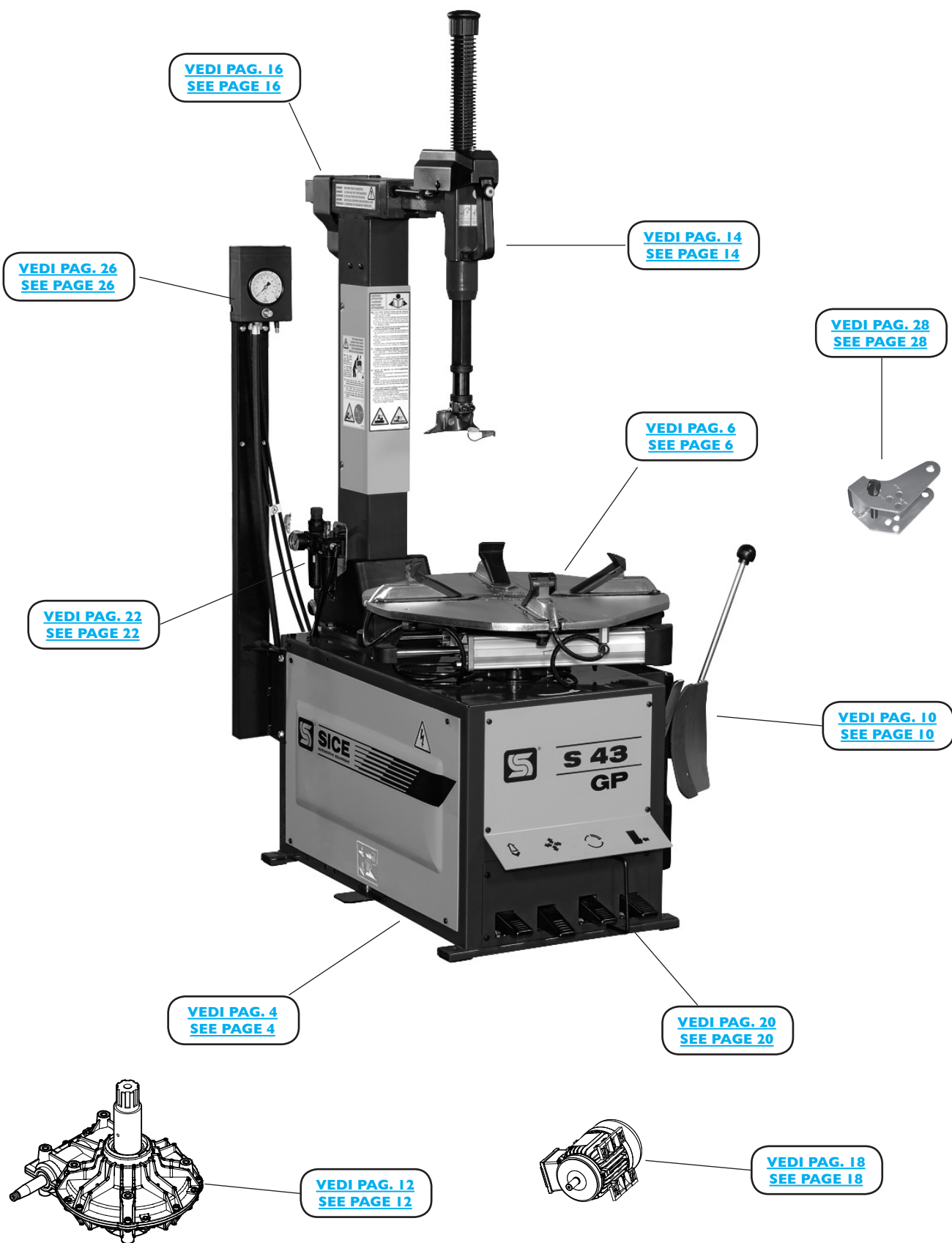
**In this document, the recommended spare parts have been highlighted in gray, while in bold you find those codes which are different.**

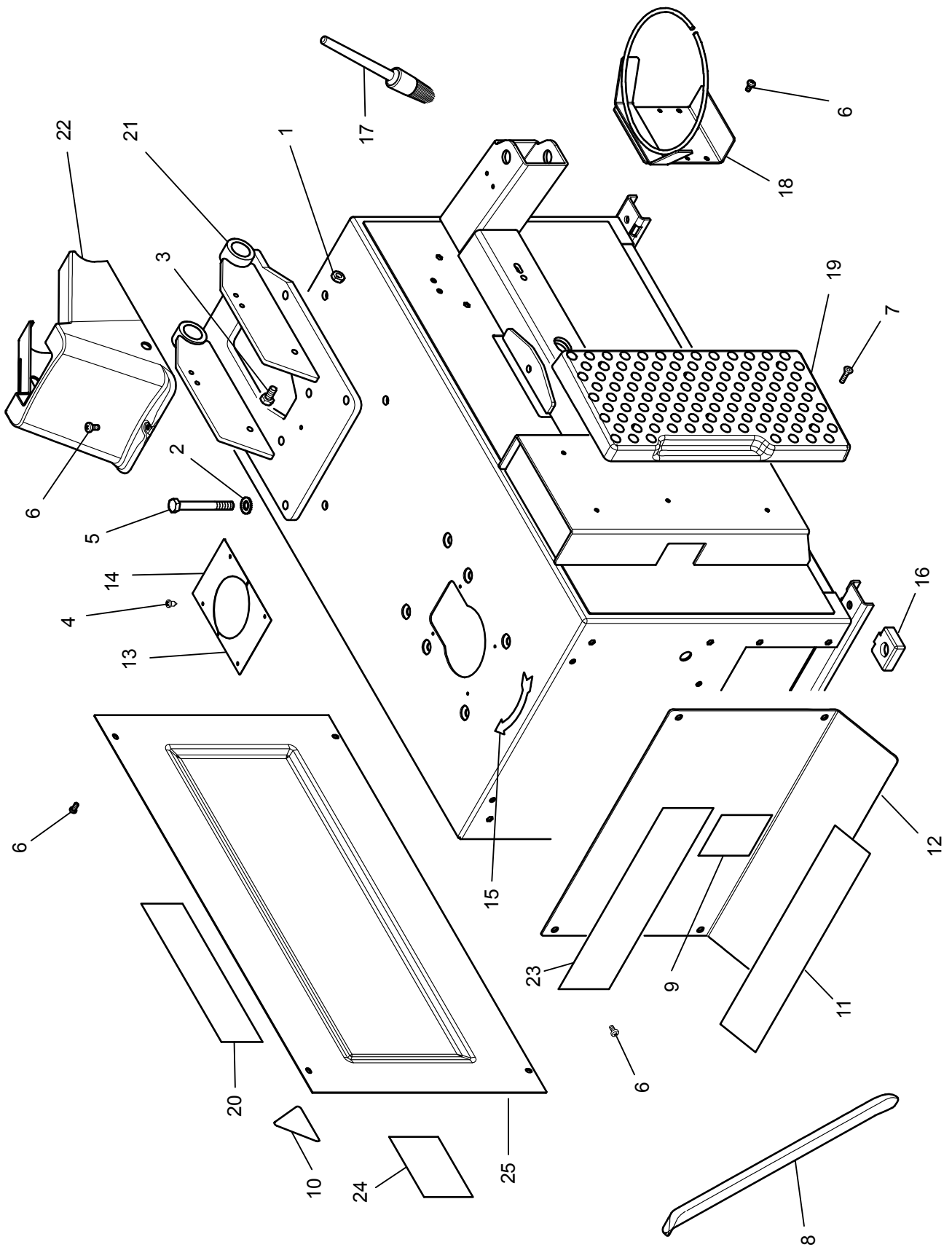
**DE**

**Im vorliegenden Dokument wurden die empfohlenen Ersatzteile in grauer Farbe hervorgehoben; die Teilenummern in Fettdruck haben sich bezugnehmend auf die vorherige.**

**FR**

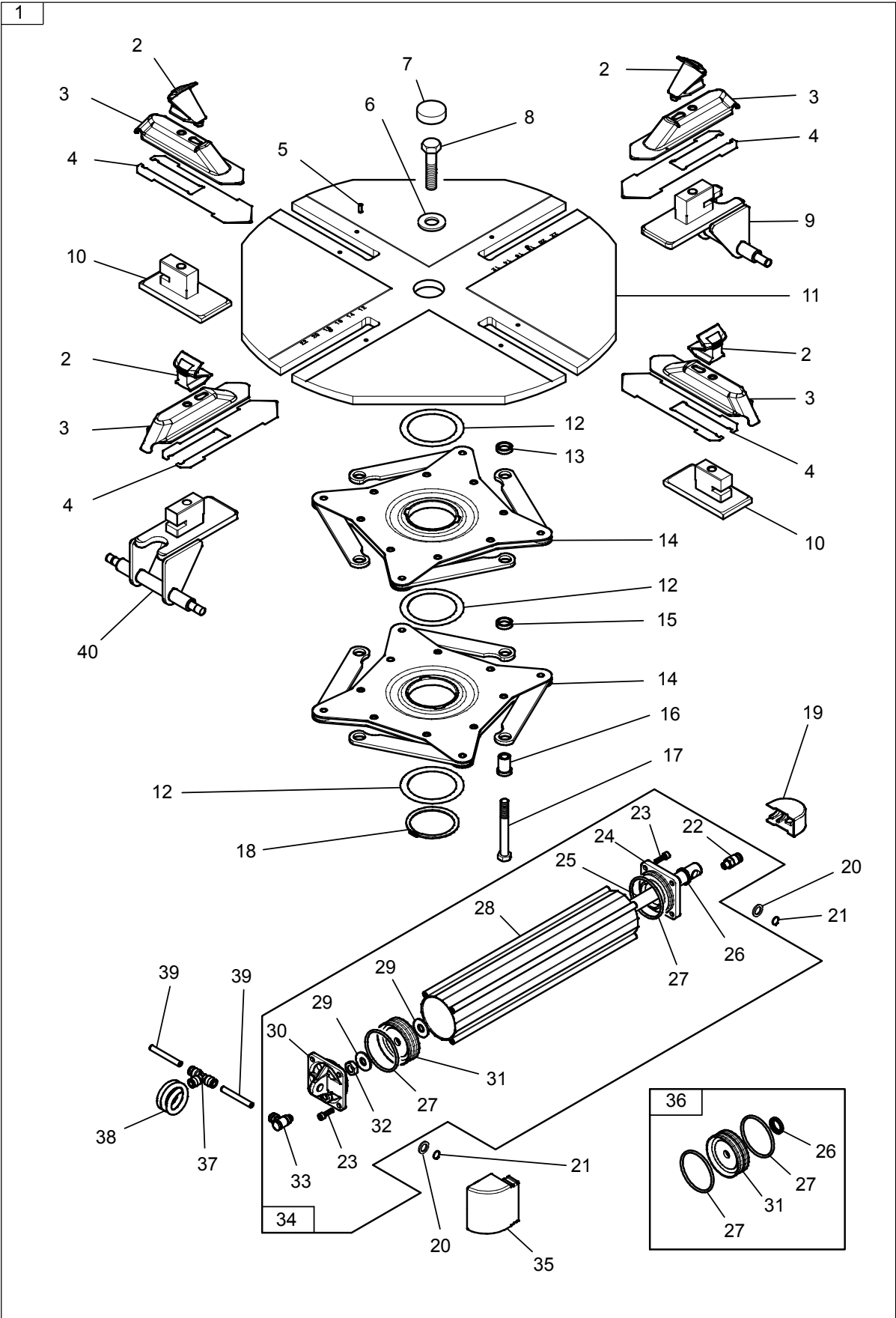
**Dans ce document, les pièces de rechange préconisées sont soulignées en gris, tandis que les références différentes par rapport à la version précédente sont en gras.**





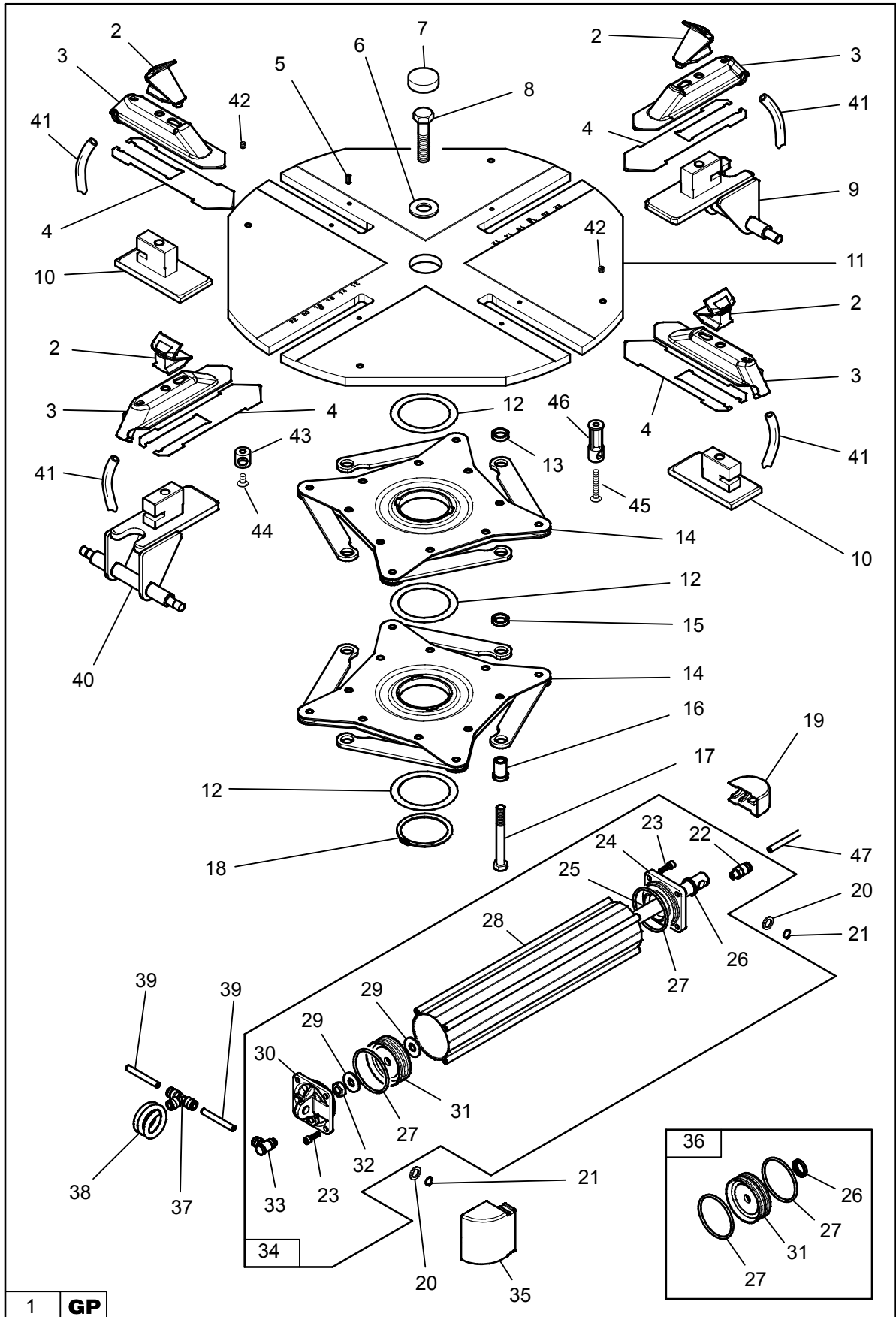
**TORNA AL COMPLESSIVO**  
**RETURNS TO OVERALL**

| <b>Rif.<br/>Ref.</b> | <b>Codice<br/>Code</b> | <b>Descrizione</b>         | <b>Description</b>             |
|----------------------|------------------------|----------------------------|--------------------------------|
| 1                    | 2-00169                | DADO M10                   | NUT M 10                       |
| 2                    | 2-00214                | RONDELLA D.12              | WASHER FOR HEX CAP SCREW M12   |
| 3                    | 2-02056                | VITE TE M10X 20            | HEXAGON HEAD CAP SCREW M10X20  |
| 4                    | 2-02764                | VITE AUTOFIETT. D3,9X 13   | SELF-TAPPING SCREW D.3,9X13    |
| 5                    | 2-03539                | VITE TE M12X100            | HEXAGON HEAD CAP SCREW M12X100 |
| 6                    | 2-71449                | VITE TCIC M 6X16           | CROSS PAN HEAD SCREW M6X16     |
| 7                    | 2-80134                | VITE TSPEI M 6X16          | SOCKET COUNTERSUNK SCREW M6X16 |
| 8                    | 3009516                | LEVA COPERTONI             | TYRE LEVER                     |
| 9                    | 3010159                | TARGA SCRITTA GP (NERA)    | GP LABEL (BLACK)               |
| 10                   | 3014056                | TARGA PERICOLO TENSIONE    | WARNING TENSION LABEL          |
| 11                   | 4-405778               | TARGA PEDALI 2VEL. (NERA)  | 2 SPEED LABEL (BLACK)          |
| 12                   | 4-118854               | PROTEZIONE PEDALI          | PEDAL COVER                    |
| 13                   | 3020173                | PROTEZIONE ANTERIORE       | FRONT PROTECTION PLATE         |
| 14                   | 3020172                | PROTEZIONE POSTERIORE (GP) | REAR PROTECTION PLATE (GP)     |
| 14                   | 3020174                | PROTEZIONE POSTERIORE      | REAR PROTECTION PLATE          |
| 15                   | 3020842                | TARGA SENSO ROTAZIONE      | SENSE OF ROTATION ARROW        |
| 16                   | 4-406032               | PIEDE H.25                 | RUBBER FOOT H.25               |
| 17                   | 4294838                | PENNELLO GRASSO            | TYRE PASTE APPLICATOR          |
| 18                   | 4-400539               | SUPPORTO VASO GRASSO       | TYRE PASTE CONTAINER SUPPORT   |
| 19                   | 4-401740               | APPOGGIO RUOTA             | WHEEL SUPPORT                  |
| 20                   | 4-404330               | TARGA SICE (NERA)          | SICE LABEL (BLACK)             |
| 21                   | 4-403668               | SUPPORTO PALO RIBALTABILE  | TILTING COLUMN SUPPORT         |
| 22                   | 4-403768               | PROTEZIONE BASE PALO       | PLASTIC PROTECTION             |
| 23                   | 4-403874               | TARGA S 43 (NERA)          | S 43 LABEL (BLACK)             |
| 24                   | 4-403900               | TARGA PEDALE GP            | GP LABEL                       |
| 25                   | 4-120562               | FIANCATA SINISTRA          | LEFT SIDE PANEL                |



**TORNA AL COMPLESSIVO  
RETURNS TO OVERALL**

| <b>Rif.<br/>Ref.</b> | <b>Codice<br/>Code</b> | <b>Descrizione</b>                    | <b>Description</b>             |
|----------------------|------------------------|---------------------------------------|--------------------------------|
| 1                    | 5-491120               | AUTOCENTRANTE 24" COMPLETO            | COMPLETE SELF-CENTERING CHUCK  |
| 2                    | 3008225                | GRIFFA BLOCCAGGIO                     | CLAMPING JAW                   |
| 3                    | 3008731                | SCORREVOLE                            | SLIDE                          |
| 4                    | 3021213                | LAMA COPRIASOLA                       | COVER PLATE                    |
| 5                    | 2-71921                | SPINA ELASTICA D.5X14                 | SPRING-TYPE STRAIGHT PIN D5X14 |
| 6                    | 3094668                | RONDELLA PIASTRA AUTOCENTRANTE        | TURNTABLE WASHER               |
| 7                    | 3308152                | CAPPUCCIO PIASTRA AUTOCENTR.          | TURNTABLE CAP                  |
| 8                    | 2-03544                | VITE TE M16X1,5X40                    | HEX.HEAD CAP SCREW M16X1,5X40  |
| 9                    | 4-401686               | SCORREVOLE CON PERNO                  | SLIDING GUIDE WITH PIN         |
| 10                   | 4-401688               | SCORREVOLE INFERIORE                  | SLIDING GUIDE                  |
| 11                   | 4-116064               | PIASTRA AUTOCENTRANTE 24"             | TURNTABLE 24"                  |
| 12                   | 3010581                | RASAMENTO D.75X97,5X0,5               | WASHER D.75X97,5X0,5           |
| 13                   | 4-401735               | DISTANZIALE D.18x24x5,5               | SPACER D.18X24X5,5             |
| 14                   | 5-400428               | FLANGIA COMANDO                       | CONTROL PLATE                  |
| 15                   | 4-401734               | DISTANZIALE D.18x24x6,5               | SPACER D.18X24X6,5             |
| 16                   | 4-401733               | BOCCOLA D.12x18x24,5                  | BUSH D.12X18X24,5              |
| 17                   | 2-03539                | VITE TE M12X100                       | HEXAGON HEAD CAP SCREW M12X100 |
| 18                   | 2-02519                | ANELLO ELASTICO D.72                  | RETAINING RING FOR SHAFT D.72  |
| 19                   | 3321211                | PROTEZIONE ANTERIORE CILINDRO         | CYLINDER FRONT COVER           |
| 20                   | 2-03354                | ROSETTA D.12                          | WASHER FOR CHEESE SCREW M12    |
| 21                   | 2-00025                | ANELLO ELASTICO D.12                  | RETAINING RING FOR SHAFT D.12  |
| 22                   | 3-00477                | RACCORDO DRITTO 1/8" 8-6              | STRAIGHT MALE ADAPTOR G1/8 T.8 |
| 23                   | 2-03801                | VITE TCEI M 6X 20 DIN 7500E TRILOBATA | SOCKET HEAD CAP SCREW M6X20    |
| 24                   | 4-119855               | FLANGIA ANTERIORE                     | CYLINDER FRONT FLANGE D.70     |
| 25                   | 4-401745               | STELO D.20                            | SHAFT FOR CYLINDER D.70        |
| 26                   | 4220637                | GUARNIZIONE RASC.BID.20X26X3,6        | LIPPED GASKET 20X26X3,6        |
| 27                   | 4209740                | GUARNIZIONE OR4250(3,53X63,09)        | O-RING 4250                    |
| 28                   | 3020804                | CAMICIA D.70                          | CASING CYLINDER D. 70          |
| 29                   | 361405                 | RONDELLA D.12,5X30X3                  | WASHER D. 12,5X30X3            |
| 30                   | 4-119854               | FLANGIA POSTERIORE                    | CYLINDER REAR FLANGE D.70      |
| 31                   | 4217860                | GUARNIZIONE PISTONE D.70              | GASKET WITH FLANGE D.70        |
| 32                   | 2-01276                | DADO AUTOBLOCCANTE M12                | NUT WITH POLYAMIDE RING M12    |
| 33                   | 2201587                | RACCORDO SEMPLICE G1/8 8-6            | ELBOW MALE ADAPTOR G1/8 T.8    |
| 34                   | 5-491078               | CILINDRO D.70X20X355 COMPLETO         | COMPLETE CYLINDER D. 70X20X355 |
| 35                   | 3321212                | PROTEZIONE POSTERIORE CILINDRO        | CYLINDER REAR PROTECTION COVER |
| 36                   | 2202349                | KIT GUARNIZIONI+PISTONE D.70          | SET OF GASKET CYLINDER D.70    |
| 37                   | 3-00025                | RACCORDO A T 8-6 RAPIDO               | TEE CONNECTOR T.8              |
| 38                   | 4-401988               | TUBO POLIURETANO A SPIRALE            | POLYURETHAN SPIRAL HOSE T8-5   |
| 39                   | 4-401998               | TUBO RILSAN NERO 8-6 L. 62            | RILSAN HOSE D.8-6 L.62         |
| 40                   | 4-401685               | SCORREVOLE CON PERNO                  | SLIDING GUIDE WITH PIN         |

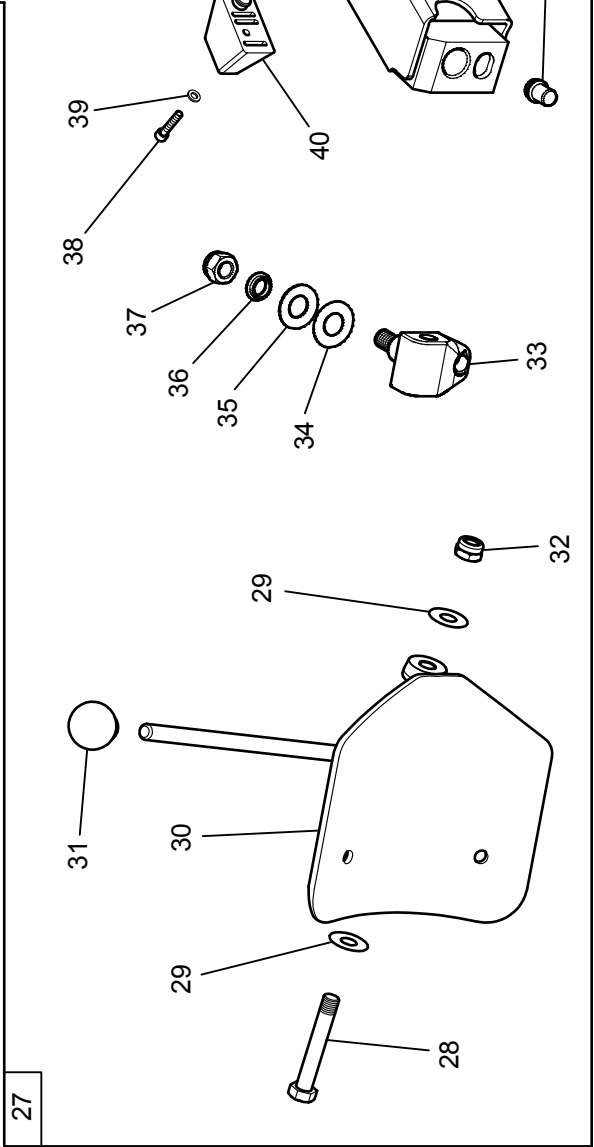
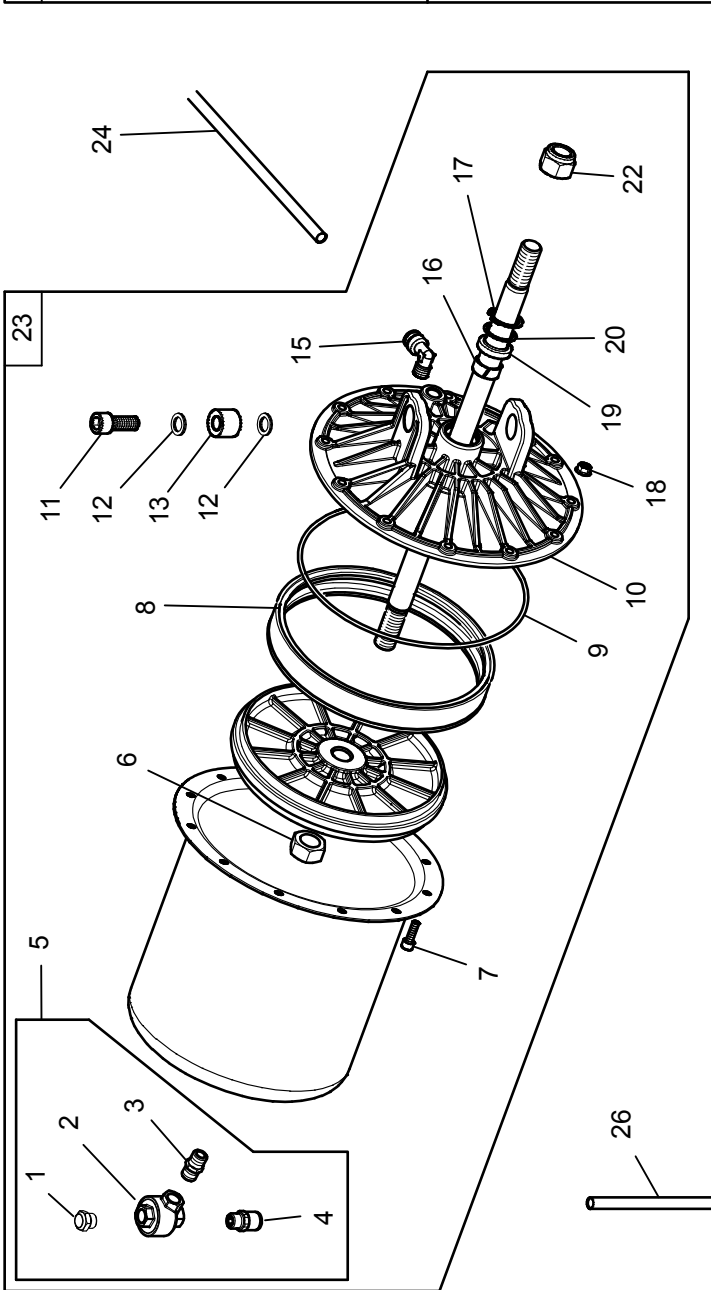
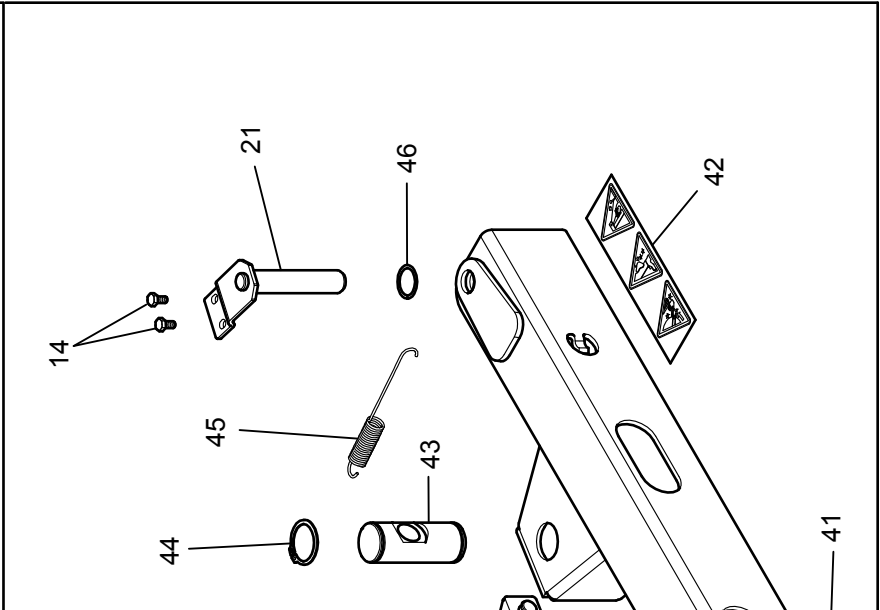
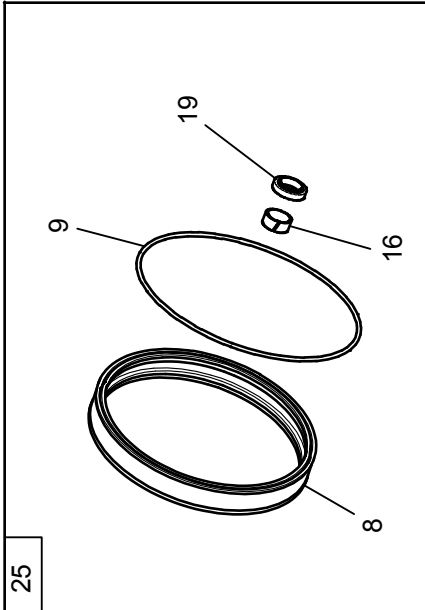


1 GP

**TORNA AL COMPRESSIVO  
RETURNS TO OVERALL**

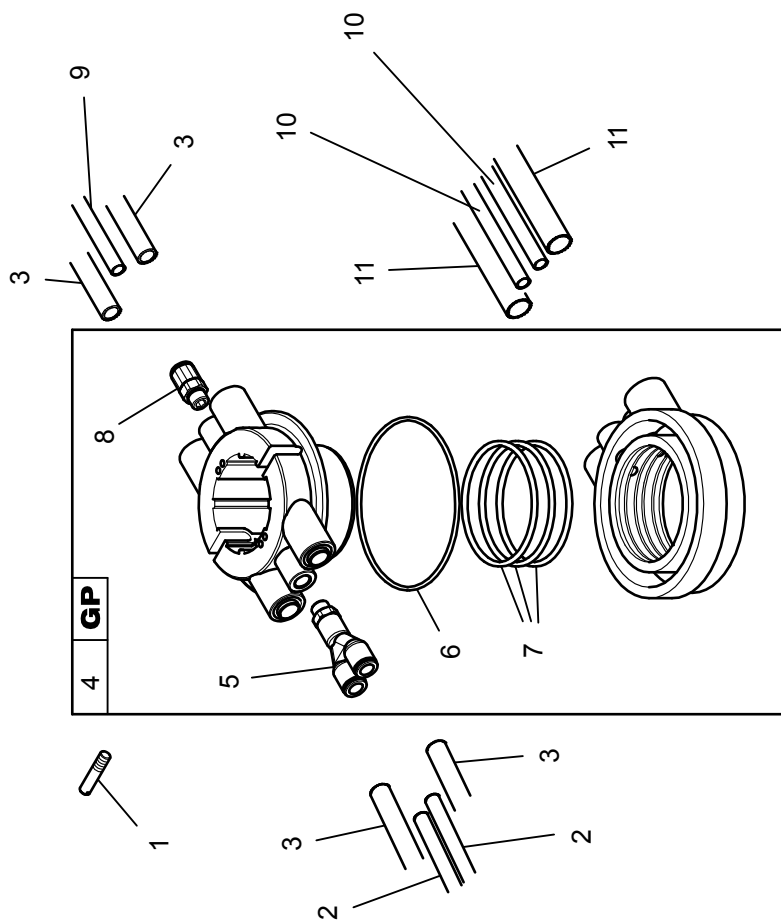
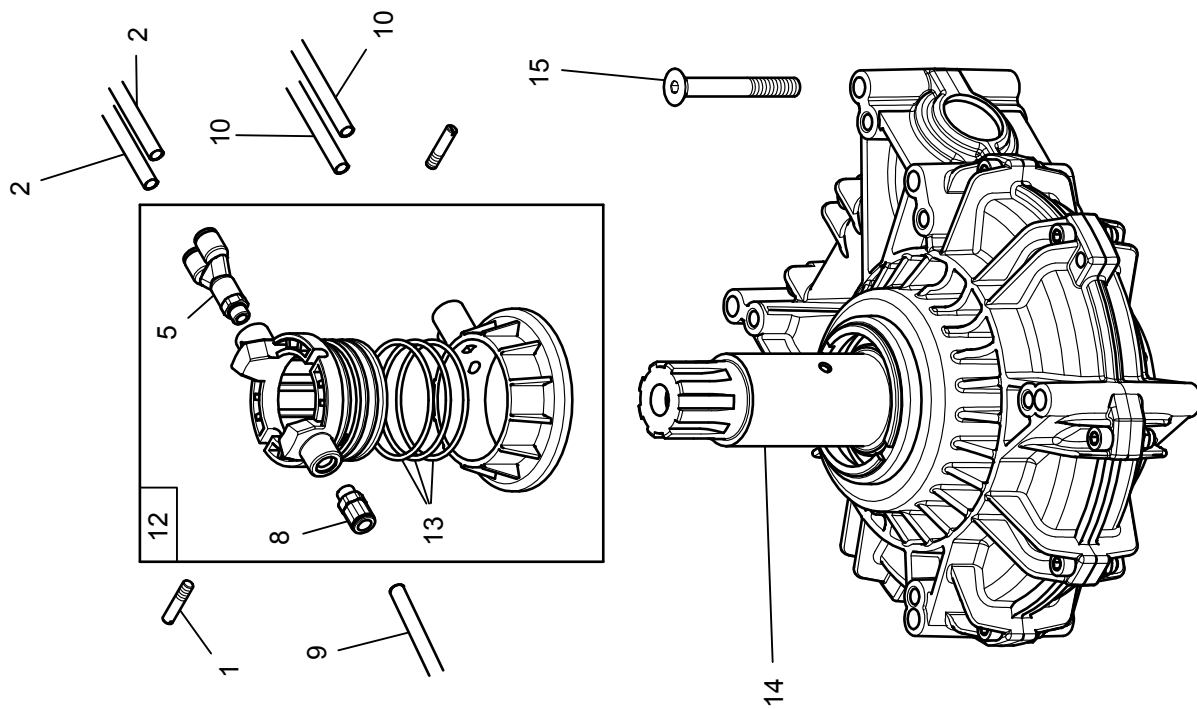


| <b>Rif. Ref.</b> | <b>Codice Code</b> | <b>Descrizione</b>                    | <b>Description</b>             |
|------------------|--------------------|---------------------------------------|--------------------------------|
| 1                | 5-491079           | AUTOCENTRANTE 24" COMPLETO            | COMPLETE SELF-CENTERING CHUCK  |
| 2                | 3008225            | GRIFFA BLOCCAGGIO                     | CLAMPING JAW                   |
| 3                | 2200938            | SCORREVOLE GP                         | SLIDE WITH NOZZLE AND UNION    |
| 4                | 3021213            | LAMA COPRIASOLA                       | COVER PLATE                    |
| 5                | 2-71921            | SPINA ELASTICA D.5X14                 | SPRING-TYPE STRAIGHT PIN D5X14 |
| 6                | 3094668            | RONDELLA PIASTRA AUTOCENTRANTE        | TURNTABLE WASHER               |
| 7                | 3308152            | CAPPUCCIO PIASTRA AUTOCENTR.          | TURNTABLE CAP                  |
| 8                | 2-03544            | VITE TE M16X1,5X40                    | HEX.HEAD CAP SCREW M16X1,5X40  |
| 9                | 4-401686           | SCORREVOLE CON PERNO                  | SLIDING GUIDE WITH PIN         |
| 10               | 4-401688           | SCORREVOLE INFERIORE                  | SLIDING GUIDE                  |
| 11               | 4-116066           | PIASTRA AUTOCENTRANTE 24"             | TURNTABLE 24"                  |
| 12               | 3010581            | RASAMENTO D.75X97,5X0,5               | WASHER D.75X97,5X0,5           |
| 13               | 4-401735           | DISTANZIALE D.18x24x5,5               | SPACER D.18X24X5,5             |
| 14               | 5-400428           | FLANGIA COMANDO                       | CONTROL PLATE                  |
| 15               | 4-401734           | DISTANZIALE D.18x24x6,5               | SPACER D.18X24X6,5             |
| 16               | 4-401733           | BOCCOLA D.12x18x24,5                  | BUSH D.12X18X24,5              |
| 17               | 2-03539            | VITE TE M12X100                       | HEXAGON HEAD CAP SCREW M12X100 |
| 18               | 2-02519            | ANELLO ELASTICO D.72                  | RETAINING RING FOR SHAFT D.72  |
| 19               | 3321211            | PROTEZIONE ANTERIORE CILINDRO         | CYLINDER FRONT COVER           |
| 20               | 2-03354            | ROSETTA D.12                          | WASHER FOR CHEESE SCREW M12    |
| 21               | 2-00025            | ANELLO ELASTICO D.12                  | RETAINING RING FOR SHAFT D.12  |
| 22               | 3-00477            | RACCORDO DRITTO 1/8" 8-6              | STRAIGHT MALE ADAPTOR G1/8 T.8 |
| 23               | 2-03801            | VITE TCEI M 6X 20 DIN 7500E TRILOBATA | SOCKET HEAD CAP SCREW M6X20    |
| 24               | 4-119855           | FLANGIA ANTERIORE                     | CYLINDER FRONT FLANGE D.70     |
| 25               | 4-401745           | STELO D.20                            | SHAFT FOR CYLINDER D.70        |
| 26               | 4220637            | GUARNIZIONE RASC.BID.20X26X3,6        | LIPPED GASKET 20X26X3,6        |
| 27               | 4209740            | GUARNIZIONE OR4250(3,53X63,09)        | O-RING 4250                    |
| 28               | 3020804            | CAMICIA D.70                          | CASING CYLINDER D. 70          |
| 29               | 361405             | RONDELLA D.12,5X30X3                  | WASHER D. 12,5X30X3            |
| 30               | 4-119854           | FLANGIA POSTERIORE                    | CYLINDER REAR FLANGE D.70      |
| 31               | 4217860            | GUARNIZIONE PISTONE D.70              | GASKET WITH FLANGE D.70        |
| 32               | 2-01276            | DADO AUTOBLOCCANTE M12                | NUT WITH POLYAMIDE RING M12    |
| 33               | 2201587            | RACCORDO SEMPLICE G1/8 8-6            | ELBOW MALE ADAPTOR G1/8 T.8    |
| 34               | 5-491078           | CILINDRO D.70X20X355 COMPLETO         | COMPLETE CYLINDER D. 70X20X355 |
| 35               | 3321212            | PROTEZIONE POSTERIORE CILINDRO        | CYLINDER REAR PROTECTION COVER |
| 36               | 2202349            | KIT GUARNIZIONI+PISTONE D.70          | SET OF GASKET CYLINDER D.70    |
| 37               | 3-00025            | RACCORDO A T 8-6 RAPIDO               | TEE CONNECTOR T.8              |
| 38               | 4-401988           | TUBO POLIURETANO A SPIRALE            | POLYURETHAN SPIRAL HOSE T8-5   |
| 39               | 4-401998           | TUBO RILSAN NERO 8-6 L. 62            | RILSAN HOSE D.8-6 L.62         |
| 40               | 4-401685           | SCORREVOLE CON PERNO                  | SLIDING GUIDE WITH PIN         |
| 41               | 4-402546           | TUBO SPIRALE T10-6,5                  | POLYURETHAN SPIRAL HOSE 10-6,5 |
| 42               | 2-94117            | VITE STTC M8X6                        | SOCKET SET SCREW M8X6          |
| 43               | 4-405288           | GUIDA TUBI CORTO                      | HOSES GUIDE                    |
| 44               | 2-94139            | VITE TSPEI M8X12                      | SOCKET COUNTERSUNK SCREW M8X12 |
| 45               | 2-03314            | VITE TSPEI M8X50                      | SOCKET COUNTERSUNK SCREW M8X50 |
| 46               | 4-405289           | GUIDA TUBI LUNGO                      | HOSES GUIDE                    |
| 47               | 4-403902           | TUBO RILSAN NERO 8-6 L. 350           | RILSAN HOSE 8-6 L.350          |



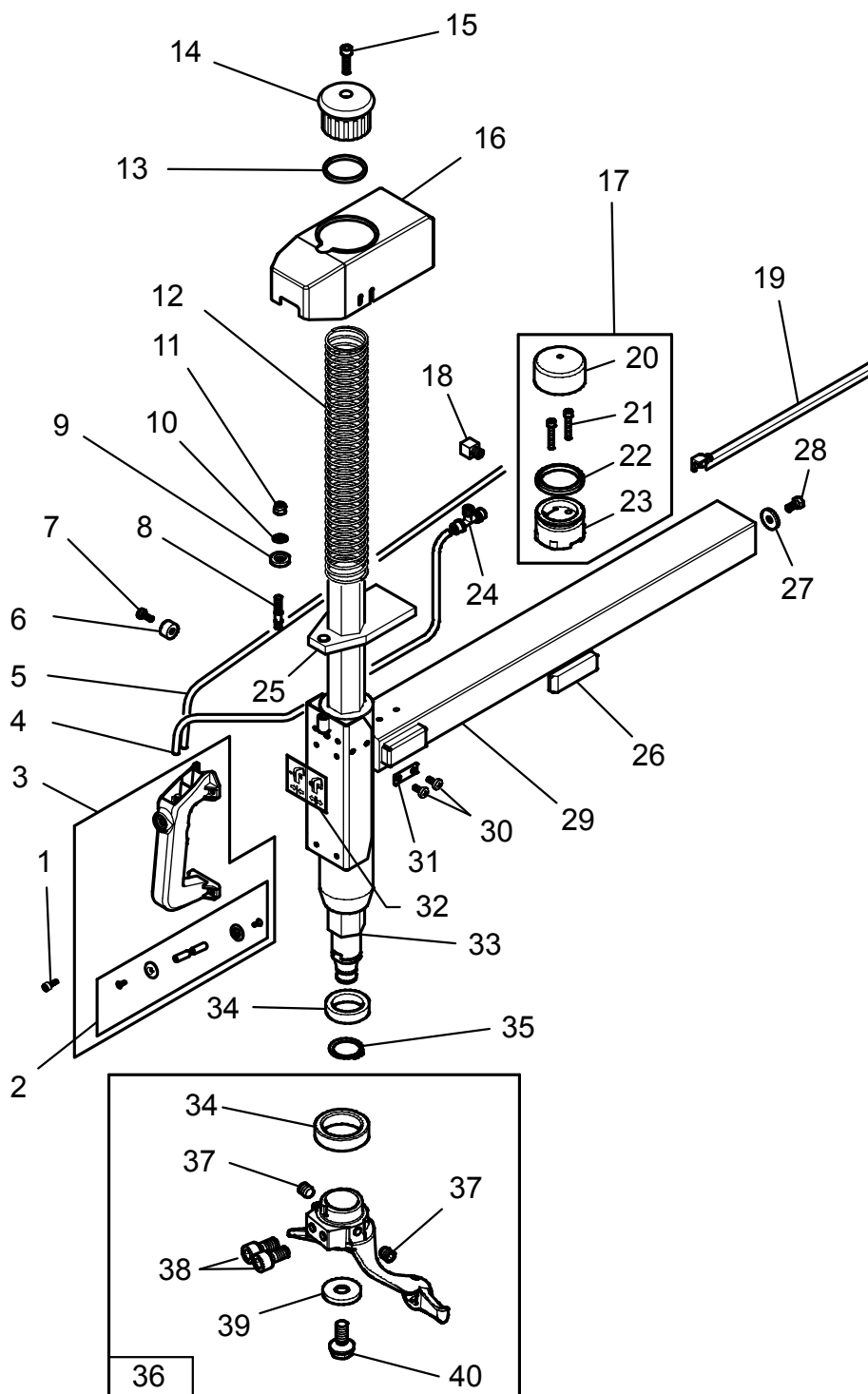
**TORNA AL COMPLESSIVO  
RETURNS TO OVERALL**

| <b>Rif.<br/>Ref.</b> | <b>Codice<br/>Code</b> | <b>Descrizione</b>             | <b>Description</b>             |
|----------------------|------------------------|--------------------------------|--------------------------------|
| 1                    | 3-90065                | SILENZIATORE-G1/4 FILI ACCIAIO | SILENCER G1/4                  |
| 2                    | 3-00317                | VALVOLA DI SCARICO RAPIDO 1/4" | VALVE G1/4"                    |
| 3                    | 3-00141                | RACCORDO NIPPLO G1/4           | NIPPLE G1/4                    |
| 4                    | 3-00479                | RACCORDO DRITTO G1/4-T10       | STRAIGHT MALE ADAPTOR G1/4 T10 |
| 5                    | 5-491087               | KIT SCARICO RAPIDO             | QUICK DISCHARGE KIT            |
| 6                    | 2-02534                | DADO M18X1,5                   | NUT M18X1,5                    |
| 7                    | 2-02057                | VITE TCEI M 6X 20              | SOCKET HEAD CAP SCREW M6X20    |
| 8                    | 3-02042                | GUARNIZIONE PISTONE D.200 DEF  | GASKET D. 200                  |
| 9                    | 4213667                | GUARNIZIONE OR4775(3,53X196,4) | O-RING 4775 (3.53x196.4)       |
| 10                   | 3013644                | FLANGIA CILINDRO D.200         | CYLINDER FLANGE D.200          |
| 11                   | 2-80026                | VITE TCEI M12X35               | SOCKET HEAD CAP SCREW M12X35   |
| 12                   | 3-90241                | RONDELLA NORD-LOCK NL12        | NORD-LOCK NL12 WASHER          |
| 13                   | 4-403808               | BOCCOLA FULCRO CILINDRO STALL. | BEAD BREAKER BUSH              |
| 14                   | 2-91767                | VITE TE M6X12                  | HEXAGON HEAD CAP SCREW M6X12   |
| 15                   | 3-00517                | RACCORDO A L 1/4" 10-8 ORIENT. | ORIENTING ELBOW FITTING 1/4 10 |
| 16                   | 424257                 | GUIDA STELO WRI-20             | WEAR RING FOR ROD WRI-20       |
| 17                   | 434031                 | SEEGER INTERNO D.30            | RETAINING RING FOR BORE D.30   |
| 18                   | 2-02795                | DADO FLANGIATO M6              | NUT WITH FLANGE ISO4161 M6     |
| 19                   | 4206114                | GUARNIZIONE NSW 20-30-6        | LIPPED GASKET NSW 20-30-6      |
| 20                   | 3010912                | RASAMENTO D.24X29,5X0,5        | WASHER 24X29,5X0,5             |
| 21                   | 4-406056               | PERNO FULCRO BRACCIO STALLON.  | BEAD BREAKER FULCRUM PIN       |
| 22                   | 2-71527                | DADO AUTOBLOCC. M20X1,5        | SELF-LOCKING NUT M 20X1,5      |
| 23                   | 5-490556               | CILINDRO STALL CON BOCCOLE     | CYLINDER D. 200X150 WITH BUSH  |
| 24                   | 4-402011               | TUBO RILSAN NERO 10-8 L.1400   | RILSAN HOSE D.10-8 L.1400      |
| 25                   | 5-490511               | SERIE GUARNIZIONI CIL. D.200   | SET OF GASKET CYLINDER D. 200  |
| 26                   | 3015796                | TUBO RILSAN NERO 10-8 L.1100   | RILSAN HOSE D.10-8 L.1100      |
| 27                   | 5-105690               | BRACCIO STALLONATORE COMPLETO  | COMPLETE BEAD BREAKER ARM      |
| 28                   | 4-401323               | VITE SPECIALE M14              | SHOVEL PIVOT                   |
| 29                   | 4-400510               | RASAMENTO D.14,5X35X0,3        | WASHER 14,5X35X0,3             |
| 30                   | 4-116781               | PALETTA CON POMOLO NERO        | BLADE WITH KNOB                |
| 31                   | 3305242                | IMPUGNATURA A SFERA            | PLASTIC BALL KNOB              |
| 32                   | 2-01106                | DADO AUTOBLOCCANTE M14         | NUT WITH POLYAMIDE RING M14    |
| 33                   | 4-404708               | SNODO A CROCE                  | BLADE HUB                      |
| 34                   | 3017251                | RASAMENTO D.20,3X42X0,5        | WASHER 20X42X0,5               |
| 35                   | 4217252                | ANELLO ELASTICO D.40X20,3X2    | CONICAL SPRING WASHER 40X20X2  |
| 36                   | 3016999                | DISTANZIALE MOZZO              | HUB SPACER                     |
| 37                   | 2-01163                | DADO AUTOBLOCCANTE M16         | NUT WITH POLYAMIDE RING M16    |
| 38                   | 2-02134                | VITE TCEI M6X30                | SOCKET HEAD CAP SCREW M6X30    |
| 39                   | 2-00211                | RONDELLA D.6                   | WASHER FOR HEX CAP SCREW M6    |
| 40                   | 4-403926               | TAMPONE FINE CORSA STALL.      | BEAD BREAKER STROKE END        |
| 41                   | 4-401902               | TRASCINATORE                   | SPELLBINDER PIN                |
| 42                   | 4-402938               | TARGA PERICOLO STALLONATORE    | WARNINGS LABEL                 |
| 43                   | 3018147                | PERNO ORIENTABILE              | SWINING PIN                    |
| 44                   | 2-01139                | ANELLO ELASTICO D.35           | RETAINING RING FOR SHAFT D.35  |
| 45                   | 3020141                | MOLLA TRAZIONE                 | TENSION SPRING                 |
| 46                   | 3017251                | RASAMENTO D.20,3X42X0,5        | WASHER 20X42X0,5               |



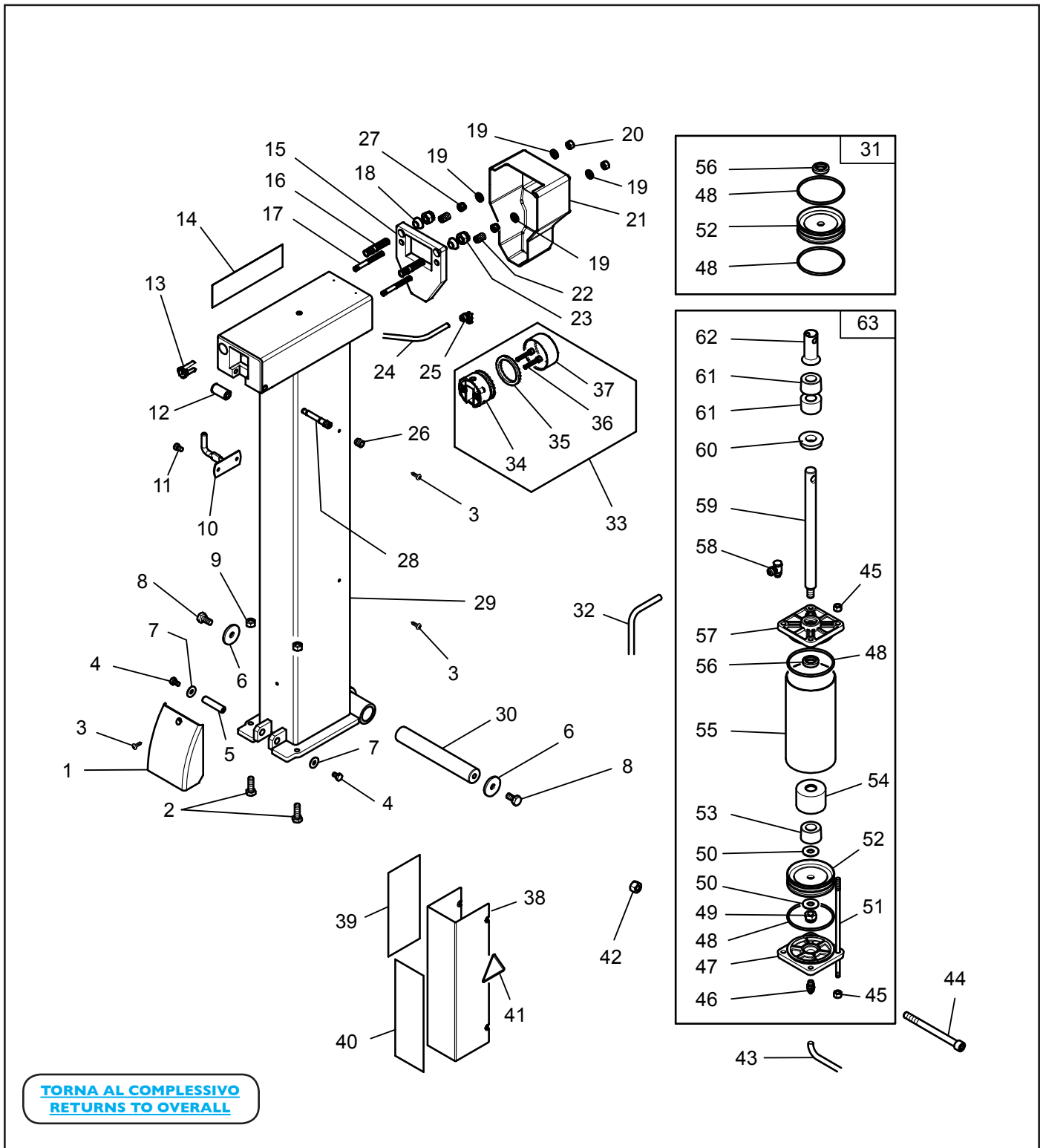
**TORNA AL COMPRESSIVO**  
**RETURNS TO OVERALL**

| <b>Rif.<br/>Ref.</b> | <b>Codice<br/>Code</b> | <b>Descrizione</b>             | <b>Description</b>             |
|----------------------|------------------------|--------------------------------|--------------------------------|
| 1                    | 3010107                | VITE TRAINO RACCORDO GIREVOLE  | SCREW FOR ROTATING UNION       |
| 2                    | 4-403902               | TUBO RILSAN NERO 8-6 L. 350    | RILSAN HOSE 8-6 L.350          |
| 3                    | 4-402546               | TUBO SPIRALE T10-6.5           | POLYURETHAN SPIRAL HOSE 10-6,5 |
| 4                    | 5-400664               | RACCORDO GIREVOLE GT           | COMPLETE ROTATING UNION (GP)   |
| 5                    | 3-00175                | RACCORDO A Y 1/8" D.8          | Y MALE ADAPTOR G1/8 T8         |
| 6                    | 4210093                | GUARNIZIONE OR90X2 DIN 3770    | O-RING 90X2 DIN3770            |
| 7                    | 4210092                | GUARNIZIONE OR3250(2,62X63,17) | O-RING 3250 (2.62x63.17)       |
| 8                    | 3-00477                | RACCORDO DRITTO 1/8" 8-6       | STRAIGHT MALE ADAPTOR G1/8 T.8 |
| 9                    | 4-401988               | TUBO POLIURETANO A SPIRALE     | POLYURETHAN SPIRAL HOSE T8-5   |
| 10                   | 3009007                | TUBO RILSAN NERO 8-6 L.1300    | RILSAN HOSE D.8-6 L.1300       |
| 11                   | 4-403819               | TUBO RILSAN NERO 14-11 L.1000  | RILSAN HOSE D. 14-11 L.1000    |
| 12                   | 5-400648               | RACCORDO GIREVOLE              | COMPLETE ROTATING UNION        |
| 13                   | 4207833                | GUARNIZIONE OR3237(2,62X60)    | O-RING 3237 (2.62x60)          |
| 14                   | 5-400931               | RIDUTTORE COMPLETO             | GEARBOX                        |
| 15                   | 2-03186                | VITE TSPEI M10X80              | SOCKET COUNTERSUNK SCREWM10X80 |



**TORNA AL COMPLESSIVO**  
**RETURNS TO OVERALL**

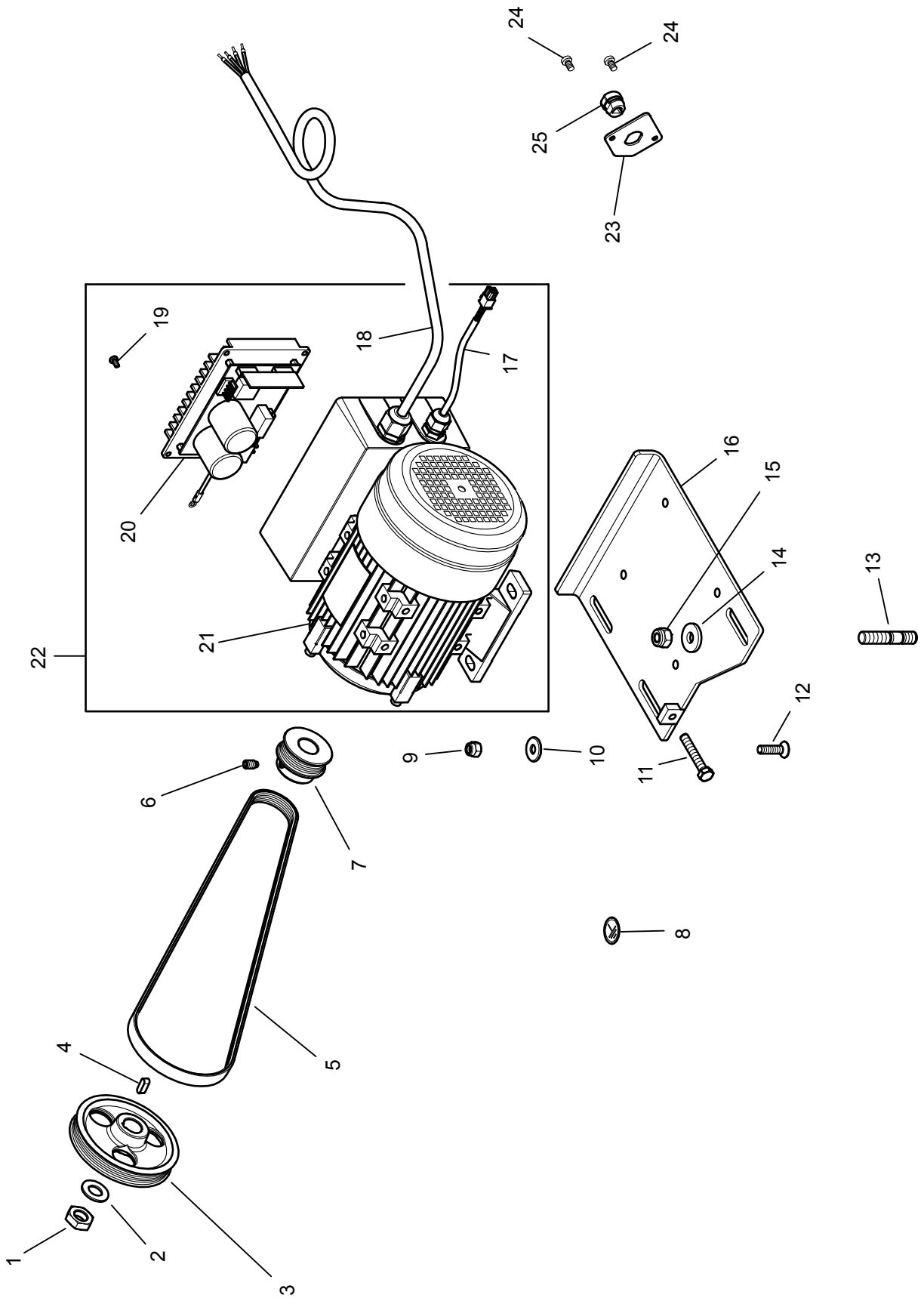
| <b>Rif.<br/>Ref.</b> | <b>Codice<br/>Code</b> | <b>Descrizione</b>             | <b>Description</b>             |
|----------------------|------------------------|--------------------------------|--------------------------------|
| 1                    | 2-01923                | VITE TCEI M5X12                | SOCKET HEAD CAP SCREW M5X12    |
| 2                    | 5-490488               | KIT SOSTIT. PULSANTE SINGOLO   | PUSH-BUTTON REPLACING KIT      |
| 3                    | 2312380                | MANIGLIA COMANDO               | CONTROL HANDLE                 |
| 4                    | 3007125                | TUBO RILSAN NERO 6-4 L. 200    | RILSAN HOSE D.6-4 L. 200       |
| 5                    | 3011973                | TUBO RILSAN NERO 6-4 L.2200    | RILSAN HOSE D.6-4 L. 2200      |
| 6                    | 3313766                | DISTANZIALE CARTER H.18        | SPACER COVER H.18              |
| 7                    | 2-03043                | VITE TCIC M6X25                | CROSS PAN HEAD SCREW M6X25     |
| 8                    | 2-03364                | PRIGIONIERO M8X35              | MEDIUM END STUD M8X35          |
| 9                    | 4218948                | ROSETTA BASE CONICA FORMA G    | CONICAL SEAT TYPE G D.8        |
| 10                   | 4218947                | ROSETTA SFERICA FORMA C        | SPHERICAL WASHER TYPE C D.8    |
| 11                   | 2-01137                | DADO AUTOBLOCCANTE M8          | NUT WITH POLYAMIDE RING M8     |
| 12                   | 4-406978               | MOLLA COMPRESSIONE             | HELICAL COMPRESSION SPRING     |
| 13                   | 4-403723               | DISTANZIALE D.47.5X53.5X5      | SPACER D.47.5X53.5X5           |
| 14                   | 3305161                | POMOLO                         | KNOB                           |
| 15                   | 2-02049                | VITE TCEI M8X30                | SOCKET HEAD CAP SCREW M8X30    |
| 16                   | 4-403769               | CARTER BLOCCAGGIO VERTICALE    | VERTICAL LOCKING COVER         |
| 17                   | 2200641                | CILINDRO D.60 COMPLETO         | COMPLETE CYLINDER D.60         |
| 18                   | 3-00228                | RACCORDO A L 1/8" M-F          | ELBOW MALE ADAPTOR G1/8 M-F    |
| 19                   | 3318138                | GUIDA TUBI                     | HOSES GUIDE                    |
| 20                   | 3007871                | CILINDRO D.60                  | CYLINDER D. 60                 |
| 21                   | 2-03541                | VITE TCEI M6X35                | SOCKET HEAD CAP SCREW M6X35    |
| 22                   | 443078                 | GUARNIZIONE DE 237             | GASKET DE 237                  |
| 23                   | 443077                 | PISTONE D.60                   | PISTON D. 60                   |
| 24                   | 3-00119                | RACCORDO A T 1/8" 6-4          | TEE MALE ADAPTOR G1/8 T.6-4    |
| 25                   | 4-400568               | PIASTRA BLOCCAGGIO VERTICALE   | VERTICAL LOCKING PLATE         |
| 26                   | 3306762                | AMMORTIZZ. BRACCIO ORIZZONTALE | HORIZONTAL ARM SHOCK ABSORBER  |
| 27                   | 3005194                | RONDELLA D.8,1X26,5X4          | WASHER D. 8,1X26,5X4           |
| 28                   | 2-02341                | VITE TE M8X16                  | HEXAGON HEAD CAP SCREW M8X16   |
| 29                   | 4-403747               | BRACCIO ORIZZONTALE            | HORIZONTAL ARM                 |
| 30                   | 2-71449                | VITE TCIC M 6X16               | CROSS PAN HEAD SCREW M6X16     |
| 31                   | 4-402374               | DISTANZIALE CARTER H.5         | SPACER COVER H.5               |
| 32                   | 4-403878               | TARGA FUNZIONI MANIGLIA        | CONTROL HANDLE FUNCTIONS LABEL |
| 33                   | 4-403555               | ASTA ESAGONALE CH41            | HEXAGONAL SHAFT CH41           |
| 34                   | 3309545                | AMMORTIZZATORE TORRETTA        | MOUNTING HEAD SHOCK ABSORBER   |
| 35                   | 2-02976                | ANELLO ELASTICO D.36           | RETAINING RING FOR SHAFT D.36  |
| 36                   | 5-107785               | TORRETTA COMPLETA              | COMPLETE MOUNTING HEAD         |
| 37                   | 2-01146                | VITE STEI M10X10               | SOCKET SET SCREW M10X10        |
| 38                   | 2-03553                | VITE TCEI M10X20               | SOCKET HEAD CAP SCREW M10X20   |
| 39                   | 350194                 | RONDELLA TORRETTA              | MOUNTING HEAD FIXING WASHER    |
| 40                   | 350197                 | VITE FISSAGGIO TORRETTA        | MOUNTING HEAD FIXING SCREW     |



| Rif. Ref. | Codice Code | Descrizione                  | Description                   |
|-----------|-------------|------------------------------|-------------------------------|
| 1         | 4-403756    | PROTEZIONE RIBALTAMENTO PALO | TILTING COLUMN PROTECTION     |
| 2         | 2-02110     | VITE TE M10X30               | HEXAGON HEAD CAP SCREW M10X30 |
| 3         | 2-02411     | VITE AUTOFILETTANTE D.4,8X16 | SELF-TAPPING SCREW D.4,8X16   |
| 4         | 2-91714     | VITE TE M6X10                | HEXAGON HEAD CAP SCREW M6X10  |
| 5         | 4-403950    | PERNO ATTACCO CILINDRO PALO  | PIN                           |
| 6         | 3006359     | RONDELLA D.10,5X40X5         | WASHER 10.5X40X5              |
| 7         | 2-00679     | ROSETTA D 6X18X1,5           | WASHER D.6X18X1,5             |
| 8         | 2-02056     | VITE TE M10X 20              | HEXAGON HEAD CAP SCREW M10X20 |
| 9         | 2-91726     | DADO M10                     | NUT M10                       |
| 10        | 2111228     | GANCIO PISTOLA               | HOOK FOR AIRLINE GAUGE        |

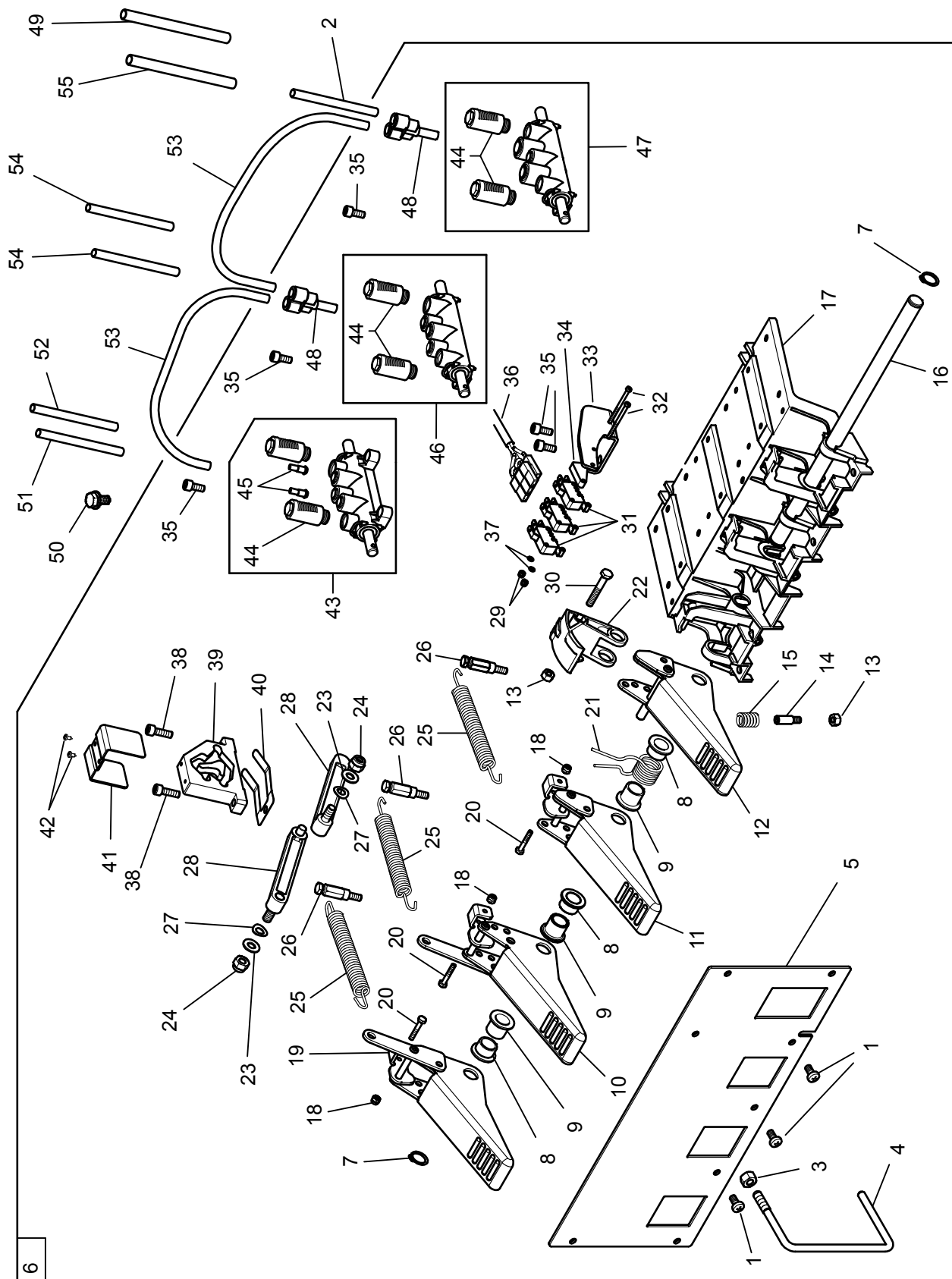


|    |          |                                |                                |
|----|----------|--------------------------------|--------------------------------|
| 11 | 2-01288  | VITE TCIC M6X10                | CROSS PAN HEAD SCREW M6X10     |
| 12 | 3019267  | RULLINO BRACCIO ORIZZONTALE    | HORIZONTAL ARM ROLLER          |
| 13 | 3319268  | BOCCOLA GUIDA TUBI             | HOSES GUIDE BUSH               |
| 14 | 3014095  | TARGA PERICOLO 5 LINGUE        | "DANGER" LABEL                 |
| 15 | 4-404707 | PIASTRA BLOCCAGGIO ORIZZONTALE | HORIZONTAL LOCKING PLATE       |
| 16 | 2-02797  | PRIGIONIERO M12X40             | MEDIUM END STUD M12X40         |
| 17 | 3010469  | REGISTRO BLOCCAGGIO VERTICALE  | VERTICAL LOCKING REGULATOR     |
| 18 | 3093822  | CONO BLOCCAGGIO ORIZZONTALE    | HORIZONTAL LOCKING CONE        |
| 19 | 2-00212  | RONDELLA D.8                   | WASHER FOR HEX CAP SCREW M8    |
| 20 | 2-91680  | DADO ESAGONALE BASSO M8        | LOW NUT M8                     |
| 21 | 4-404721 | CARTER BLOCC.ORIZZONTALE       | HORIZONTAL LOCKING COVER       |
| 22 | 3005803  | MOLLA COMPRESSIONE             | HELICAL COMPRESSION SPRING     |
| 23 | 2-01021  | DADO AUTOBLOCCANTE M12         | NUT WITH POLYAMIDE RING M12    |
| 24 | 3008878  | TUBO RILSAN NERO 6-4 L.1400    | RILSAN HOSE D.6-4 L.1400       |
| 25 | 3-00106  | RACCORDO A L 1/8 6-4           | ELBOW MALE ADAPTOR G1/8 T. 6-4 |
| 26 | 2-01040  | VITE STEI M12X12               | SOCKET SET SCREW M12X12        |
| 27 | 2-01137  | DADO AUTOBLOCCANTE M8          | NUT WITH POLYAMIDE RING M8     |
| 28 | 3019266  | ECCENTRICO RULLINO             | ECCENTRIC ROLLER               |
| 29 | 4-403671 | PALO RIBALTABILE               | TILTING COLUMN                 |
| 30 | 3094911  | PERNO PALO RIBALTABILE         | TILTING COLUMN PIN             |
| 31 | 5-490272 | SET GUARNIZIONI CIL. D.90X150  | SET OF GASKET CYLINDER D.90    |
| 32 | 3015551  | TUBO RILSAN NERO 8-6 L.1600    | RILSAN HOSE D.8-6 L.1600       |
| 33 | 5-491113 | CILINDRO D.70 COMPLETO         | COMPLETE CYLINDER D.70         |
| 34 | 4-404781 | PISTONE D.70 CON CARTUCCIA D.6 | PISTON D.70                    |
| 35 | 3-02060  | GUARN. A LABBRO 70X60X5,5 NBR  | GASKET 70X60X5.5               |
| 36 | 2-94021  | VITE TCEI M6X25                | SOCKET HEAD CAP SCREW M6X25    |
| 37 | 4-404498 | CILINDRO D.70                  | CYLINDER D.70                  |
| 38 | 4-123725 | CARTER PORTA TARGHE PER PALO   | PANEL                          |
| 39 | 4-402838 | TARGA PERIC.ESPLOS. E SCOLLEG. | WARNING LABEL                  |
| 40 | 4-402837 | TARGA LEGGI MANUALE PERIC.MANI | WARNING LABEL                  |
| 41 | 3014057  | TARGA PERICOLO RIBALT. PALO    | LABEL                          |
| 42 | 2-91639  | DADO ALTO M12                  | NUT M12                        |
| 43 | 4-404379 | TUBO RILSAN NERO 8-6 L.1400    | RILSAN HOSE D.8-6 L.1400       |
| 44 | 2-03540  | VITE TCEI M12X140              | SOCKET HEAD CAP SCREW M12X140  |
| 45 | 2-00723  | DADO M8                        | NUT M8                         |
| 46 | 3-00039  | RACCORDO DRITTO 1/8" 8-6       | STRAIGHT MALE ADAPTOR 1/8 T8-6 |
| 47 | 3009470  | FLANGIA POSTERIORE CIL. D.90   | CYLINDER REAR FLANGE D.90      |
| 48 | 4209464  | GUARNIZIONE OR4325(3,53X82,14) | O-RING 4325 (3.53x82.14)       |
| 49 | 2-01276  | DADO AUTOBLOCCANTE M12         | NUT WITH POLYAMIDE RING M12    |
| 50 | 361405   | RONDELLA D.12,5X30X3           | WASHER D. 12,5X30X3            |
| 51 | 4-403684 | TIRANTE M8                     | CYLINDER TIE ROD M8            |
| 52 | 4209463  | GUARNIZIONE PISTONE D.90       | GASKET WHIT FLANGE D.90        |
| 53 | 3319483  | AMMORTIZZATORE                 | SHOCK ABSORBER                 |
| 54 | 3011009  | FINECORSO CIL. PALO            | STROKE END FOR CYLINDER        |
| 55 | 4-403683 | CAMICIA D.90                   | CASING D.90                    |
| 56 | 4206114  | GUARNIZIONE NSW 20-30-6        | LIPPED GASKET NSW 20-30-6      |
| 57 | 3009469  | FLANGIA ANTERIORE CIL. D.90    | CYLINDER FRONT FLANGE D.90     |
| 58 | 2201587  | RACCORDO SEMPLICE G1/8 8-6     | ELBOW MALE ADAPTOR G1/8 T.8    |
| 59 | 4-403674 | STELO CILINDRO                 | SHAFT FOR CYLINDER D.90        |
| 60 | 3311571  | ANELLO APPOGGIO AMMORTIZZATORE | SHOCK ABSORBER RING SUPPORT    |
| 61 | 3311010  | AMMORTIZZATORE                 | SHOCK ABSORBER                 |
| 62 | 3011013  | APPOGGIO AMMORTIZZATORE        | SHOCK ABSORBER SUPPORT         |
| 63 | 5-490883 | CILINDRO RIBALTABILE COMPLETO  | CYLINDER FOR TILTING COLUMN    |



[TORNA AL COMPLESSIVO](#)  
[RETURNS TO OVERALL](#)

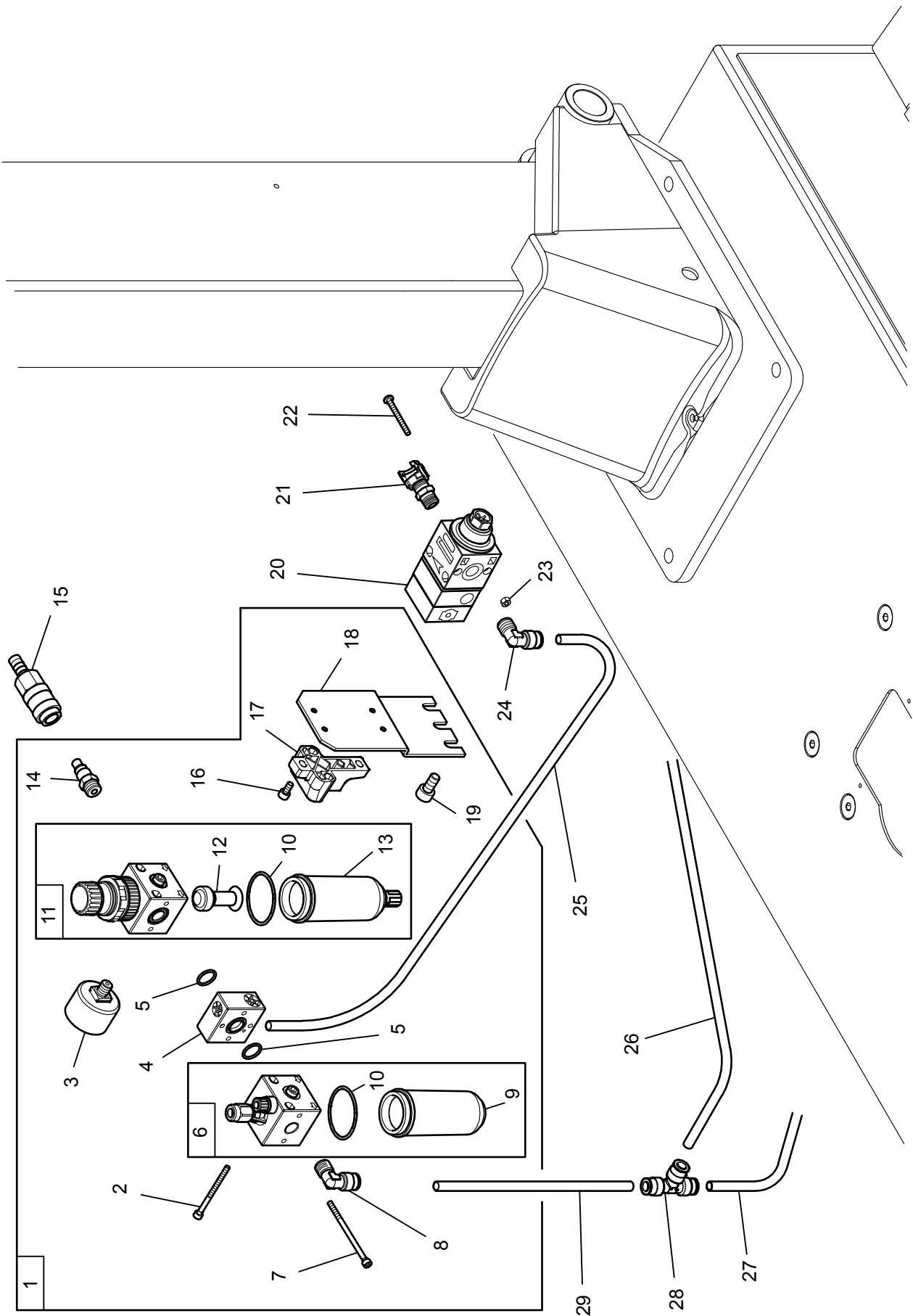
| <b>Rif.<br/>Ref.</b> | <b>Codice<br/>Code</b> | <b>Descrizione</b>             | <b>Description</b>             |
|----------------------|------------------------|--------------------------------|--------------------------------|
| 1                    | 2-71765                | DADO BASSO M14                 | LOW NUT M 14                   |
| 2                    | 2-00215                | RONDELLA D.14                  | WASHER FOR HEX CAP SCREW M14   |
| 3                    | 4-403630               | PULEGGIA RIDUTTORE             | GEAR BOX PULLEY POLY-V         |
| 4                    | 2-01950                | LINGUETTA 6X6X18               | PARALLEL KEY 6X6X18            |
| 5                    | 3-02061                | CINGHIA POLY-V                 | POLY-V BELT                    |
| 6                    | 2-02561                | VITE STEI M8X14                | SOCKET SET SCREW M8X14         |
| 7                    | 4-401658               | PULEGGIA MOTOINVERTER          | MOTOR-INVERTER PULLEY J6       |
| 8                    | 4207270                | TARGA BOLLINO TERRA            | EARTH LABEL                    |
| 9                    | 2-01020                | DADO AUTOBLOCCANTE M8          | NUT WITH POLYAMIDE RING M8     |
| 10                   | 2-01299                | ROSETTA D 9X24X2               | WASHER D.9X24X2                |
| 11                   | 2-80038                | VITE TE M8X50                  | HEXAGON HEAD CAP SCREW M8X50   |
| 12                   | 2-94004                | VITE TSPEI M8X35               | SOCKET COUNTERSUNK SCREW M8X35 |
| 13                   | 2-03478                | PRIGIONIERO M10X25             | SHORT END STUD M10X25          |
| 14                   | 4300590                | ROSETTA D.10X28X4              | WASHER D.10X28X4               |
| 15                   | 2-01019                | DADO AUTOBLOCCANTE M10         | NUT WITH POLYAMIDE RING M10    |
| 16                   | 4-407494               | PIASTRA FISSAGGIO MOTORI       | MOTOR SUPPORT PLATE            |
| 17                   | 4-109895               | CAVO COMANDI LATO MOTORE       | CABLE                          |
| 18                   | 4-111586               | CAVO ALIMENTAZIONE             | FEEDING CABLE                  |
| 19                   | 2-91647                | VITE TCIC M5X12                | CROSS PAN HEAD SCREW M5X12     |
| 20                   | 4-115396               | SCHEDA INVERTER 230V + DISSIP. | INVERTER PCB 230V + DISSIPATOR |
| 21                   | 4-116184               | MOTORE SENZA INVERTER          | ELECTRIC MOTOR W/O INVERTER    |
| 22                   | 5-105158               | MOTORE 230V.1PH.50/60 COMPLETO | COMPLETE ELECTRIC MOTOR        |
| 23                   | 4-403072               | PIASTRINA FERMACAVO            | CABLE HOLDER PLATE             |
| 24                   | 2-01288                | VITE TCIC M6X10                | CROSS PAN HEAD SCREW M6X10     |
| 25                   | 3-01908                | PRESSACAVO                     | CABLE HOLDER                   |



6

**TORNA AL COMPLESSIVO  
RETURNS TO OVERALL**

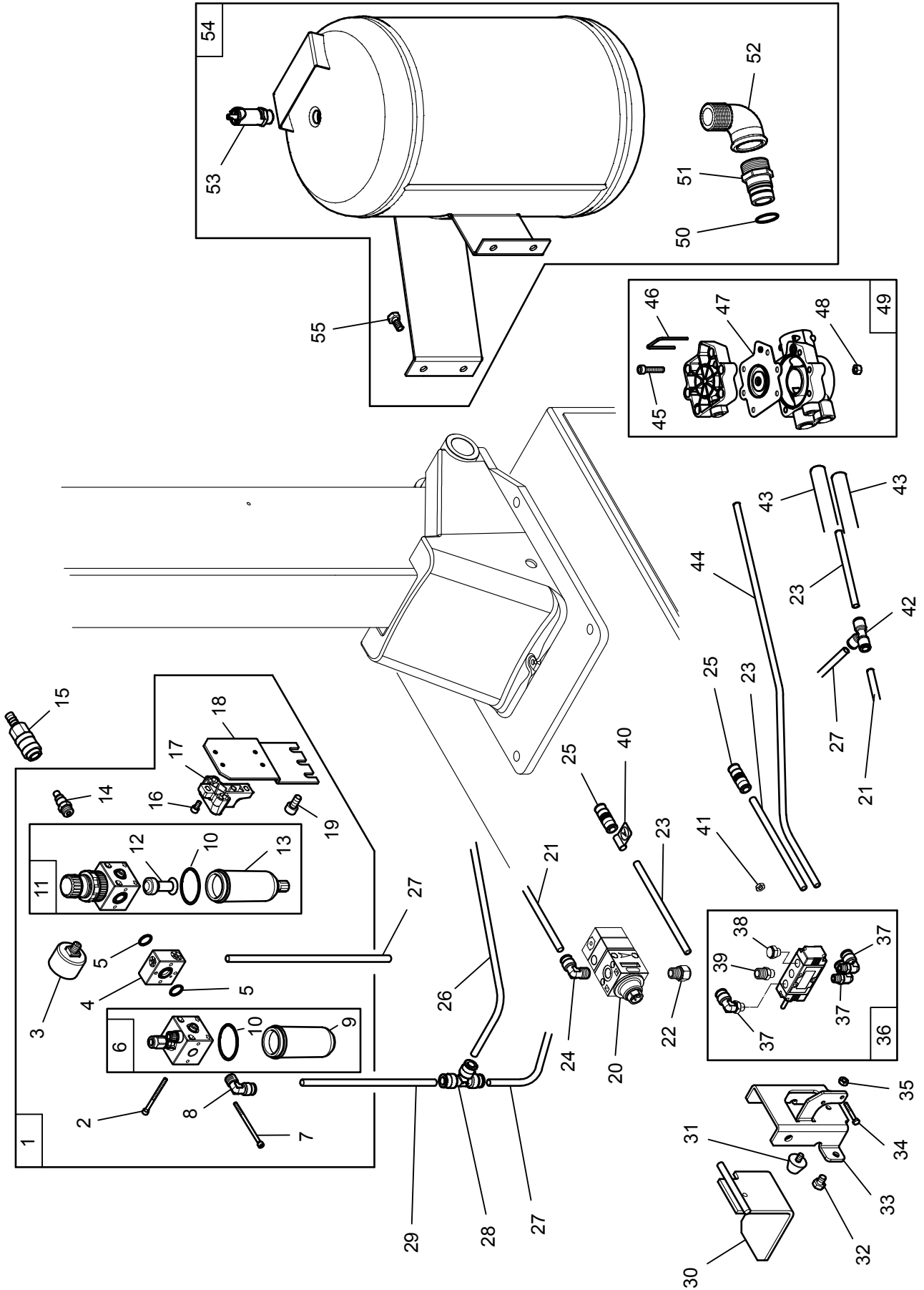
| Ref. | Code     | Descrizione                    | Description                    |
|------|----------|--------------------------------|--------------------------------|
| 1    | 2-71449  | VITE TCIC M6X16                | CROSS PAN HEAD SCREW M6X16     |
| 2    | 3009007  | TUBO RILSAN NERO 8-6 L.1300    | RILSAN HOSE D.8-6 L.1300       |
| 3    | 2-00128  | DADO ALTO M 8                  | HIGH NUT M 8                   |
| 4    | 4-404435 | SEPARATORE PEDALI              | PEDALS SEPARATOR               |
| 5    | 4-405732 | FRONTALE PEDALIERA             | PEDAL FRONT PLATE              |
| 6    | 5-491163 | PEDALIERA COMPLETA             | COMPLETE PEDALS SYSTEM         |
| 7    | 2-01122  | ANELLO ELASTICO D.15           | RETAINING RING FOR SHAFT D.15  |
| 8    | 4-403703 | BOCCOLA MOLLA H.13             | SPRING BUSH H.13               |
| 9    | 4-403702 | BOCCOLA MOLLA H.18             | SPRING BUSH H.18               |
| 10   | 4-403774 | PEDALE CAMME SX                | LEFT PEDAL                     |
| 11   | 4-403740 | PEDALE STALLONATORE            | BEAD-BREAKER PEDAL             |
| 12   | 4-403778 | PEDALE MICRO DX                | RIGHT MICROSWITCH PEDAL        |
| 13   | 2-00127  | DADO ESAGONALE ALTO M 6        | HIGH NUT M6                    |
| 14   | 4-403732 | PERNO MOLLA                    | SPRING PIN                     |
| 15   | 3005803  | MOLLA COMPRESSIONE             | HELICAL COMPRESSION SPRING     |
| 16   | 4-403715 | PERNO PEDALIERA                | PEDAL PIN                      |
| 17   | 4-404495 | TELAIO PEDALIERA               | PEDALS BASE                    |
| 18   | 2-01018  | DADO AUTOBLOCCANTE M4          | NUT WITH POLYAMIDE RING M4     |
| 19   | 4-403777 | PEDALE CAMME DX                | RIGTH PEDAL                    |
| 20   | 2-03538  | VITE TE M4X25                  | HEXAGON HEAD CAP SCREW M4X25   |
| 21   | 4-403791 | MOLLA DI TORSIONE              | HELICAL TORSION SPRING         |
| 22   | 4-403658 | CAMMA COMANDO MICRO            | MICROSWICTHES DRIVE CAM        |
| 23   | 2-00212  | RONDELLA D.8                   | WASHER FOR HEX CAP SCREW M8    |
| 24   | 2-01020  | DADO AUTOBLOCCANTE M8          | NUT WITH POLYAMIDE RING M8     |
| 25   | 4-403790 | MOLLA TRAZIONE                 | TENSION SPRING                 |
| 26   | 4-403734 | VITE PORTA MOLLA               | SPECIAL SCREW                  |
| 27   | 2-02248  | ROSETTA EL. D8                 | UNDULATED SPRING WASHER D.8    |
| 28   | 4-403659 | BIELLA CAMMA                   | CAM CONNECTING ROD             |
| 29   | 2-01017  | DADO AUTOBLOCCANTE M3          | NUT WITH POLYAMIDE RING M3     |
| 30   | 2-02811  | VITE TE M6X40                  | HEXAGON HEAD CAP SCREW M6X40   |
| 31   | 3-01451  | MICROINTERRUPTORE PEDALIERA    | MICROSWITCH                    |
| 32   | 2-03355  | VITE TCI M3X45                 | SOCKET HEAD CAP SCREW M3X45    |
| 33   | 4-131019 | SUPPORTO MICRO                 | MICROSWITCHES SUPPORT          |
| 34   | 4-401717 | DISTANZIALE SUPPORTO MICRO     | SPACER FOR MICROSWITCH SUPPORT |
| 35   | 2-02092  | VITE TCEI M6X14                | SOCKET HEAD CAP SCREW M6X14    |
| 36   | 4-402009 | CAVO MICRO                     | MICROSWITCH CABLE              |
| 37   | 2-00208  | RONDELLA D.3                   | WASHER FOR HEX CAP SCREW M3    |
| 38   | 2-02057  | VITE TCEI M 6X 20              | SOCKET HEAD CAP SCREW M6X20    |
| 39   | 3306148  | CAMMA DOPPIA                   | TRIP CAM                       |
| 40   | 3006149  | BALESTRA A FORCELLA            | FORK LEAF SPRING               |
| 41   | 3009605  | CAVALLOTTO GUIDA BIELLA        | CONNECTING ROD GUIDE BRACKET   |
| 42   | 2-01272  | VITE AUTOFIETTANTE D2,9X 9,5   | SELF-TAPPING SCREW D.2,9X9,5   |
| 43   | 5-490749 | VALVOLA BRACCIO AUTOM.+ STROZZ | VALVE WITH NARROWING PIECES    |
| 44   | 3-00182  | SILENZIATORE-G1/4-PLASTICA     | SILENCER G.1/4                 |
| 45   | 4-406414 | STROZZATORE D.1.40             | NARROWING PIECE D.1,40         |
| 46   | 5-400951 | VALVOLA T.8 DX                 | COMPLETE RIGHT VALVE T.8       |
| 47   | 5-400953 | VALVOLA T.10 DX                | COMPLETE RIGHT VALVE T.10      |
| 48   | 3-02192  | RACCORDO A Y C8 T8             | Y MALE ADAPTOR C8-T8           |
| 49   | 4-402011 | TUBO RILSAN NERO 10-8 L.1400   | RILSAN HOSE D.10-8 L.1400      |
| 50   | 2-03532  | VITE FLANGIATA M8X20           | HEXAGON FLANGE BOLTS M8X20     |
| 51   | 3015551  | TUBO RILSAN NERO 8-6 L.1600    | RILSAN HOSE D.8-6 L.1600       |
| 52   | 4-404379 | TUBO RILSAN NERO 8-6 L.1400    | RILSAN HOSE D.8-6 L.1400       |
| 53   | 3009182  | TUBO RILSAN NERO 8-6 L. 240    | RILSAN HOSE D.8-6 L.240        |
| 54   | 3009007  | TUBO RILSAN NERO 8-6 L.1300    | RILSAN HOSE D.8-6 L.1300       |
| 55   | 3015796  | TUBO RILSAN NERO 10-8 L.1100   | RILSAN HOSE D.10-8 L.1100      |



**TORNA AL COMPLESSIVO  
RETURNS TO OVERALL**

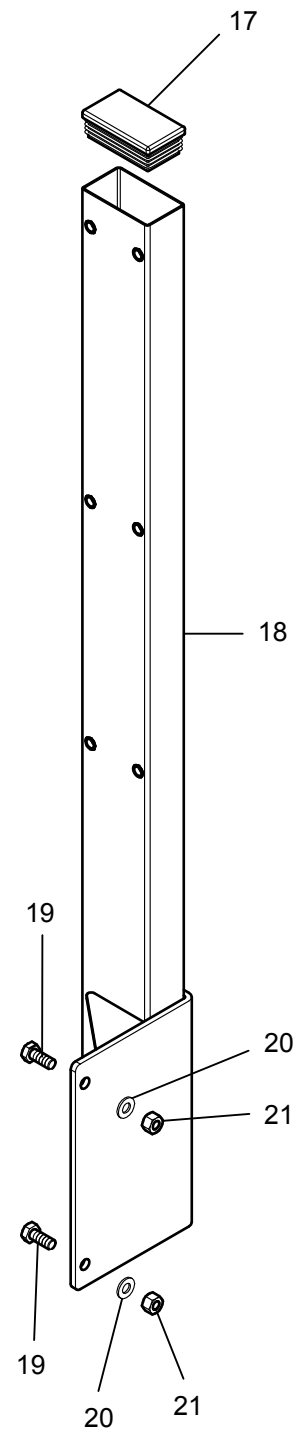
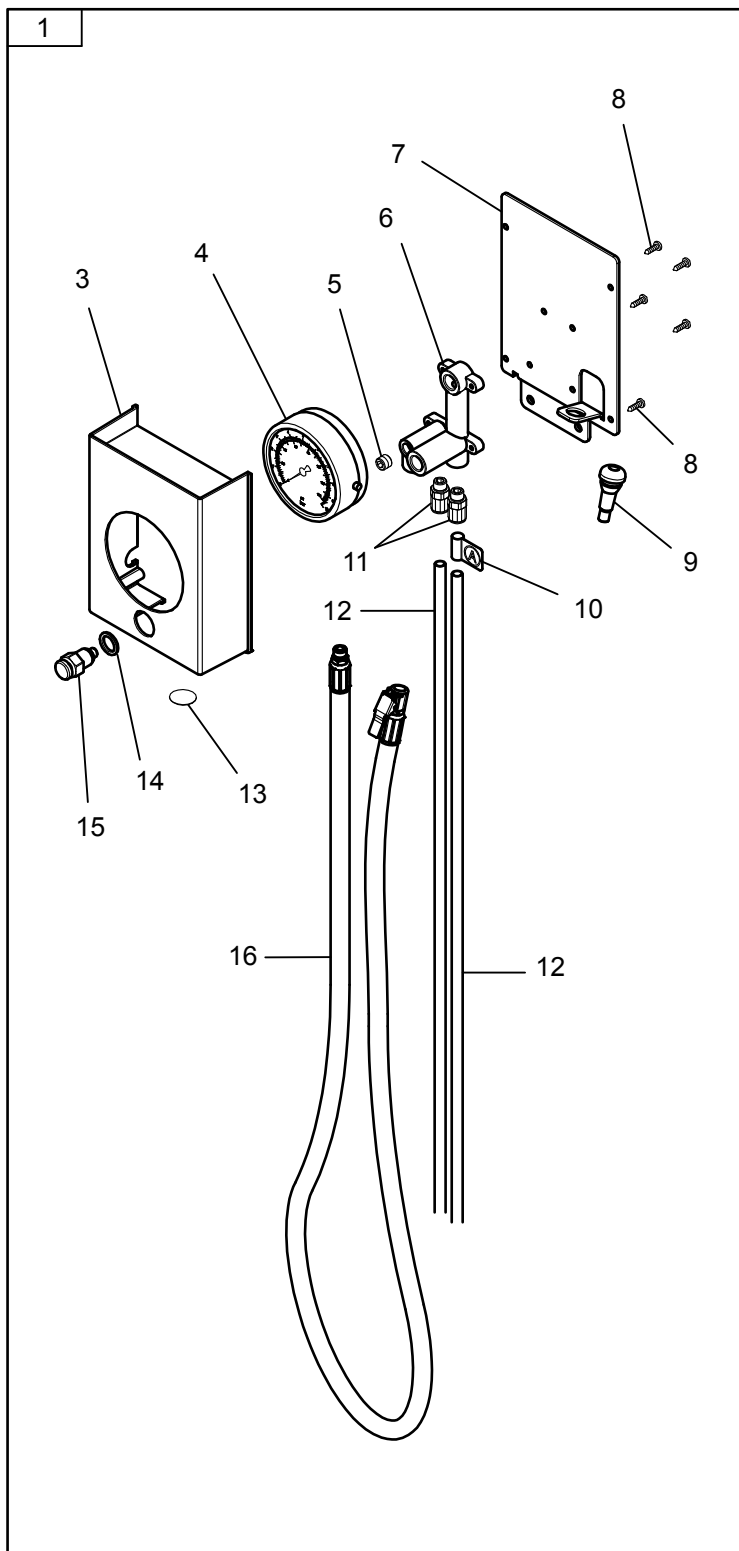
| <b>Rif.<br/>Ref.</b> | <b>Codice<br/>Code</b> | <b>Descrizione</b>             | <b>Description</b>             |
|----------------------|------------------------|--------------------------------|--------------------------------|
| 1                    | 5-400977               | FILTRO/REGOLAT.+LUBRIFICATORE  | FILTER/REGULATOR+LUBRICATOR    |
| 2                    | 2-03034                | VITE TCEI M4X55                | SOCKET HEAD CAP SCREW M4X55    |
| 3                    | 3-00488                | MANOMETRO 1/8" 0-12 BAR        | MANOMETER G1/8 0-12BAR         |
| 4                    | 4220002                | BLOCCHETTO DI COLLEGAMENTO     | CONNECTING BLOCK               |
| 5                    | 4216117                | GUARNIZIONE OR2056(1,78X14)    | O-RING 2056 (1,78X14)          |
| 6                    | 4220004                | LUBRIFICATORE COMPLETO         | COMPLETE LUBRICATOR UNIT       |
| 7                    | 2-03033                | VITE TCEI M4X70                | SOCKET HEAD CAP SCREW M4X70    |
| 8                    | 3-00060                | RACCORDO A L GIREVOLE 1/4 T8   | ORIENTING ELBOW FITTING 1/4 T8 |
| 9                    | 4220007                | TAZZA LUBRIFICATORE            | LUBRICATOR TANK                |
| 10                   | 4212295                | GUARNIZIONE OR2125(1,78X31,47) | O-RING 2125 (1,78X31,47)       |
| 11                   | 4220003                | FILTRO COMPLETO                | COMPLETE FILTER UNIT           |
| 12                   | 4220008                | FILTRO                         | FILTER                         |
| 13                   | 4220006                | TAZZA FILTRO                   | FILTER TANK                    |
| 14                   | 3-00410                | INNESTO RAPIDO MASCHIO         | QUICK MALE UNION               |
| 15                   | 3-00411                | RUBINETTO RAPIDO D.10,5        | BALL VALVE (D.10,5)            |
| 16                   | 2-03546                | VITE TCEI M5X10                | SOCKET HEAD CAP SCREW M5X10    |
| 17                   | 4220005                | ATTACCO FILTRO/LUBRIFICATORE   | FILTER AND LUBRICATOR HOLDER   |
| 18                   | 4-403687               | SUPPORTO GRUPPO PNEUMATICO     | PNEUMATIC DEVICE SUPPORT       |
| 19                   | 2-02646                | VITE TCEI M8X12                | SOCKET HEAD CAP SCREW M8X12    |
| 20                   | 3-00389                | VALVOLA GONFIAGGIO RAPIDO 1/4  | QUICK INFLATING VALVE G1/4     |
| 21                   | 3-00202                | RACCORDO CON DADO FRESATO      | BAYONET CONNECTION             |
| 22                   | 2-71762                | VITE TCIC M4X45                | CROSS PAN HEAD SCREW M4X45     |
| 23                   | 2-00125                | DADO ALTO M4                   | HIGH NUT M4                    |
| 24                   | 3-00108                | RACCORDO A L 1/4 T8/6          | ELBOW MALE ADAPTOR G1/4 T.8-6  |
| 25                   | 3010470                | TUBO RILSAN NERO 8-6 L. 500    | RILSAN HOSE D.8-6 L.500        |
| 26                   | 3011973                | TUBO RILSAN NERO 6-4 L.2200    | RILSAN HOSE D.6-4 L. 2200      |
| 27                   | 3009007                | TUBO RILSAN NERO 8-6 L.1300    | RILSAN HOSE D.8-6 L.1300       |
| 28                   | 3-02563                | RACCORDO A T T8/6-T6/4         | TEE CONNECTOR T.8/6-T6/4       |
| 29                   | 3093866                | TUBO RILSAN NERO 8-6 L. 400    | RILSAN HOSE D.8-6 L.400        |

**TORNA AL COMPLESSIVO  
RETURNS TO OVERALL**



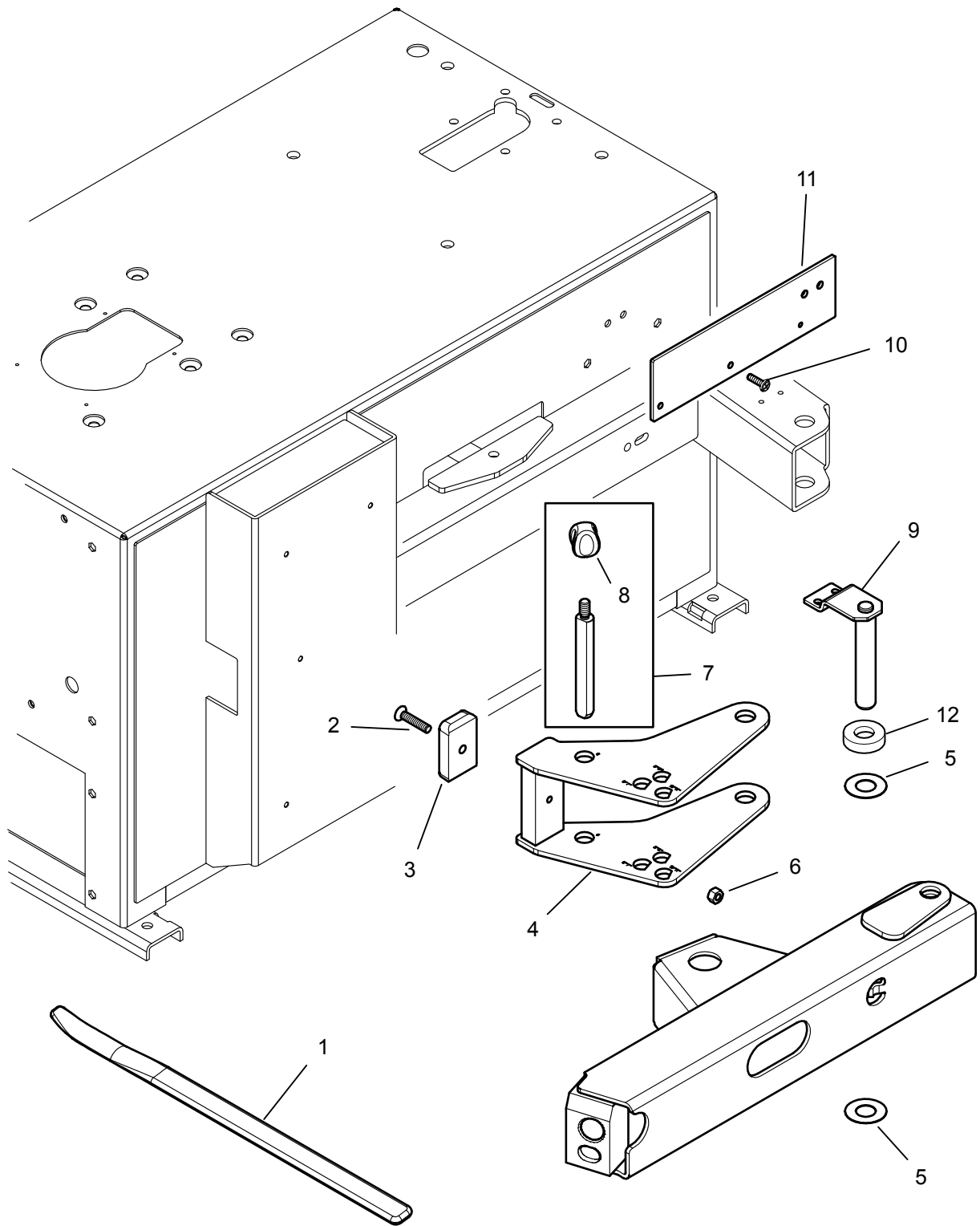


| Ref. | Code     | Descrizione                                  | Description                                |
|------|----------|--|--|
| 1    | 5-400977 | FILTRO/REGOLAT.+LUBRIFICATORE                | FILTER/REGULATOR+LUBRICATOR                |
| 2    | 2-03034  | VITE TCEI M4X55                              | SOCKET HEAD CAP SCREW M4X55                |
| 3    | 3-00488  | MANOMETRO 1/8" 0-12 BAR                      | MANOMETER G1/8 0-12BAR                     |
| 4    | 4220002  | BLOCCHETTO DI COLLEGAMENTO                   | CONNECTING BLOCK                           |
| 5    | 4216117  | GUARNIZIONE OR2056(1,78X14)                  | O-RING 2056 (1,78X14)                      |
| 6    | 4220004  | LUBRIFICATORE COMPLETO                       | COMPLETE LUBRICATOR UNIT                   |
| 7    | 2-03033  | VITE TCEI M4X70                              | SOCKET HEAD CAP SCREW M4X70                |
| 8    | 3-00060  | RACCORDO A L GIREVOLE 1/4 T8                 | ORIENTING ELBOW FITTING 1/4 T8             |
| 9    | 4220007  | TAZZA LUBRIFICATORE                          | LUBRICATOR TANK                            |
| 10   | 4212295  | GUARNIZIONE OR2125(1,78X31,47)               | O-RING 2125 (1,78X31,47)                   |
| 11   | 4220003  | FILTRO COMPLETO                              | COMPLETE FILTER UNIT                       |
| 12   | 4220008  | FILTRO                                       | FILTER                                     |
| 13   | 4220006  | TAZZA FILTRO                                 | FILTER TANK                                |
| 14   | 3-00410  | INNESTO RAPIDO MASCHIO                       | QUICK MALE UNION                           |
| 15   | 3-00411  | RUBINETTO RAPIDO D.10,5                      | BALL VALVE (D.10,5)                        |
| 16   | 2-03546  | VITE TCEI M5X10                              | SOCKET HEAD CAP SCREW M5X10                |
| 17   | 4220005  | ATTACCO FILTRO/LUBRIFICATORE                 | FILTER AND LUBRICATOR HOLDER               |
| 18   | 4-403687 | SUPPORTO GRUPPO PNEUMATICO                   | PNEUMATIC DEVICE SUPPORT                   |
| 19   | 2-02646  | VITE TCEI M8X12                              | SOCKET HEAD CAP SCREW M8X12                |
| 20   | 3-00389  | VALVOLA GONFIAGGIO RAPIDO 1/4                | QUICK INFLATING VALVE G1/4                 |
| 21   | 3005164  | TUBO RILSAN NERO 8-6 L. 260                  | RILSAN HOSE D.8-6 L.260                    |
| 22   | 3-00082  | RACCORDO G1/4 M-F                            | REDUCER G1/4 M-F                           |
| 23   | 3015501  | TUBO RILSAN NERO 8-6 L. 600                  | RILSAN HOSE D.8-6 L.600                    |
| 24   | 3-00060  | RACCORDO A L GIREVOLE 1/4 T8                 | ORIENTING ELBOW FITTING 1/4 T8             |
| 25   | 3-00016  | RACCORDO 8-6                                 | STRAIGHT CONNECTOR T.8                     |
| 26   | 3011973  | TUBO RILSAN NERO 6-4 L.2200                  | RILSAN HOSE D.6-4 L. 2200                  |
| 27   | 3009007  | TUBO RILSAN NERO 8-6 L.1300                  | RILSAN HOSE D.8-6 L.1300                   |
| 28   | 3-02563  | RACCORDO A T T8/6-T6/4                       | TEE CONNECTOR T.8/6-T6/4                   |
| 29   | 3093866  | TUBO RILSAN NERO 8-6 L. 400                  | RILSAN HOSE D.8-6 L.400                    |
| 30   | 4-401720 | LEVA PEDALE                                  | PEDAL                                      |
| 31   | 3-02148  | PARACOLPO CONICO D23X16 M6X12                | SHOCK ABSORBER D. 23X16 M 6X12             |
| 32   | 2-91715  | VITE TE M8X12                                | HEXAGON HEAD CAP SCREW M8X12               |
| 33   | 4-401726 | STAFFA PEDALE CON FERMO                      | PEDAL SUPPORT WITH STOP                    |
| 34   | 2-80031  | VITE TE M4X30                                | HEXAGON HEAD CAP SCREW M4X30               |
| 35   | 2-00167  | DADO ESAGONALE BASSO M6                      | LOW NUT M6                                 |
| 36   | 5-490746 | VALVOLA GONFIAGGIO GT + RACC.                | COMPLETE INFLATING VALVE                   |
| 37   | 3-00059  | RACCORDO A L ORIENTAB. 1/8 T8                | ORIENTING ELBOW FITTING 1/8 T8             |
| 38   | 3-00181  | SILENZIATORE-G1/8 FILI ACCIAIO               | SILENCER G.1/8                             |
| 39   | 3-00135  | NIPPLES 1/8-1/4                              | REDUCING NIPPLE G1/8-G1/4                  |
| 40   | 3015825  | TARGA A-A COLLEGAM. TUBO ARIA                | DECAL, A-A HOSES CONNECTION                |
| 41   | 2-02804  | DADO BASSO M4                                | LOW NUT M4                                 |
| 42   | 3-00025  | RACCORDO A T 8-6 RAPIDO                      | TEE CONNECTOR T.8                          |
| 43   | 4-403819 | TUBO RILSAN NERO 14-11 L.1000                | RILSAN HOSE D. 14-11 L.1000                |
| 44   | 3010923  | TUBO RILSAN NERO 8-6 L. 800                  | RILSAN HOSE D.8-6 L.800                    |
| 45   | 2-02134  | VITE TCEI M6X30                              | SOCKET HEAD CAP SCREW M6X30                |
| 46   | 4-403678 | FORCELLA A U                                 | U FORK                                     |
| 47   | 4-403680 | MEMBRANA VALVOLA DI SOFFIAGGIO               | DIAPHRAGM                                  |
| 48   | 2-01979  | DADO AUTOBLOCCANTE M6                        | NUT WITH POLYAMIDE RING M6                 |
| 49   | 5-400942 | VALVOLA SPARO INNESTO RAPIDO                 | COMPLETE INFLATING VALVE                   |
| 50   | 3-90168  | GUARNIZIONE ORM 24,0X2,0(DA MATR. IEI010022) | O-RING (ORM 24.4X2.0) (FROM S/N IEI010022) |
| 51   | 4-403685 | RACCORDO INNESTO RAPIDO 1"                   | MALE ADAPTER G.1                           |
| 52   | 3-00961  | RACCORDO A GOMITO 1"                         | L-UNION 1"                                 |
| 53   | 3-01573  | VALVOLA DI SICUREZZA G1/4                    | SAFETY VALVE G1/4"                         |
| 54   | 4-403815 | SERBATOIO COMPLETO                           | COMPLETE AIR TANK 18L.                     |
| 55   | 2-02341  | VITE TE M8X16                                | HEXAGON HEAD CAP SCREW M8X16               |



**TORNA AL COMPRESSIVO**  
**RETURNS TO OVERALL**

| <b>Rif.<br/>Ref.</b> | <b>Codice<br/>Code</b> | <b>Descrizione</b>            | <b>Description</b>             |
|----------------------|------------------------|-------------------------------|--------------------------------|
| 1                    | 5-401610               | UNITA' DI GONFIAGGIO COMPLETA | COMPLETE INFLATING DEVICE      |
| 2                    | 2-71449                | VITE TCIC M6X16               | CROSS PAN HEAD SCREW M6X16     |
| 3                    | 3315382                | FRONTALE SCATOLA              | BOX PANEL                      |
| 4                    | 3-00490                | MANOMETRO 1/4" 0-10 BAR       | PRESSURE GAUGE G1/4 0-10BAR    |
| 5                    | 3-00198                | RACCORDO TAPPO 1/8"           | MALE PLUG G1/8                 |
| 6                    | 3315381                | RIPARTITORE                   | MANIFOLD                       |
| 7                    | 4-405826               | FONDO SUPPORTO ULGS           | BOX BASE                       |
| 8                    | 2-71491                | VITE AUTOFIETTANTE D3,5X12,7  | SELF-TAPPING SCREW D.3.5X12.7  |
| 9                    | 3-01568                | VALVOLA TUBELESS GOMMA TR413  | RUBBER CORE VALVE              |
| 10                   | 3015825                | TARGA A-A COLLEGAM. TUBO ARIA | DECAL, A-A HOSES CONNECTION    |
| 11                   | 3-00477                | RACCORDO DRITTO 1/8" 8-6      | STRAIGHT MALE ADAPTOR G1/8 T.8 |
| 12                   | 4-404379               | TUBO RILSAN NERO 8-6 L.1400   | RILSAN HOSE D.8-6 L.1400       |
| 13                   | 3014074                | TARGA A                       | DECAL, A                       |
| 14                   | 3-00445                | RONDELLA PLASTICA 1/4"        | NYLON NOTCHED-WASHER G1/4      |
| 15                   | 3012530                | PULSANTE                      | PUSH-BUTTON                    |
| 16                   | 4-400208A              | TUBO USCITA ARIA L.1500       | AIR OUTLET HOSE L.1500         |
| 17                   | 3-90123                | TAPPO A LAMELLE 70X40 NERO    | TERMINAL 70X40                 |
| 18                   | 5-105471               | PALO SUPPORTO PO/ULGS         | DEVICE SUPPORT                 |
| 19                   | 2-02047                | VITE TE M8X20                 | HEXAGON HEAD CAP SCREW M8X20   |
| 20                   | 2-00212                | RONDELLA D.8                  | WASHER FOR HEX CAP SCREW M8    |
| 21                   | 2-00128                | DADO ALTO M 8                 | HIGH NUT M 8                   |



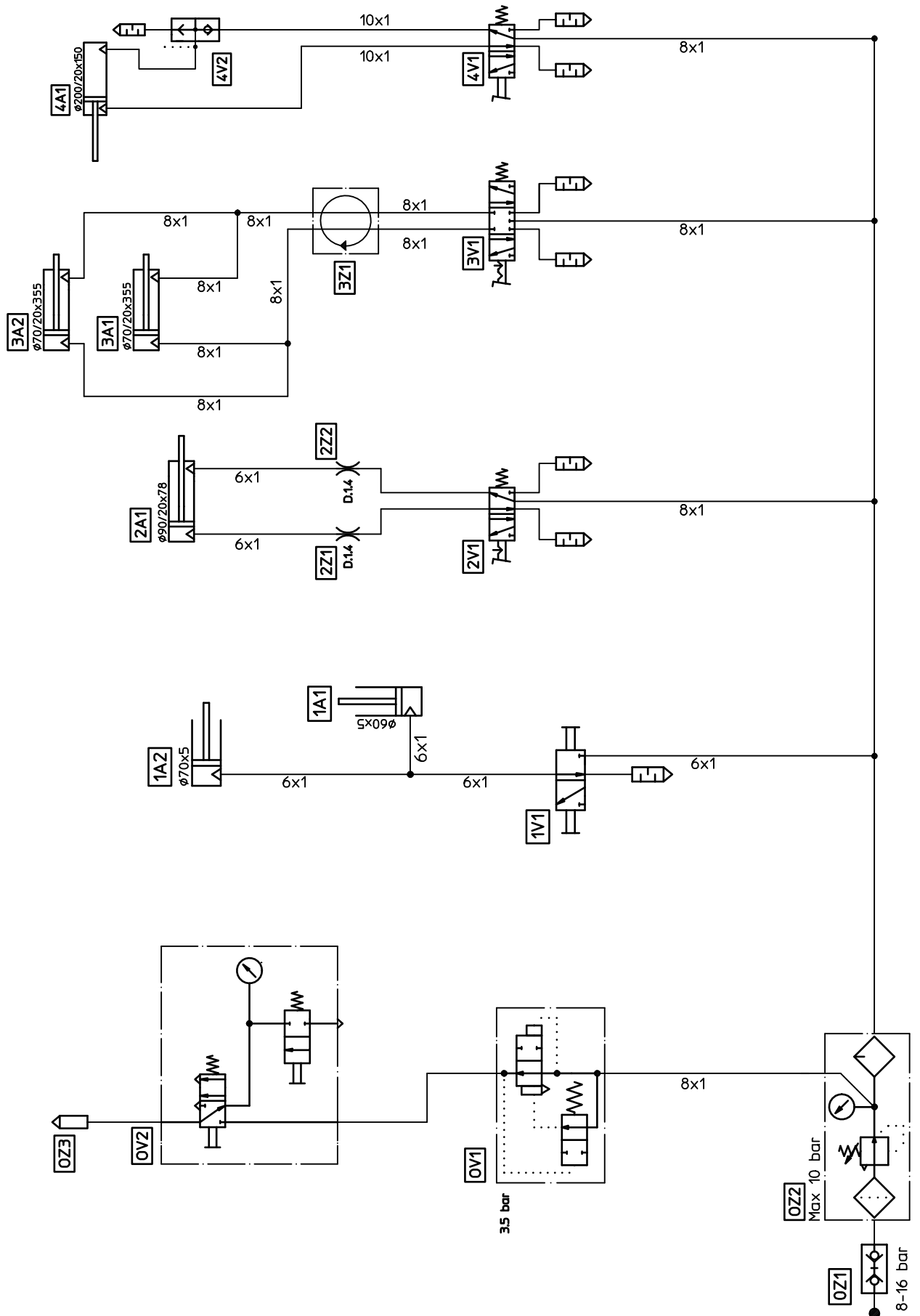
(OPTIONAL)

**[TORNA AL COMPLESSIVO](#)**  
**[RETURNS TO OVERALL](#)**

| <b>Rif.<br/>Ref.</b> | <b>Codice<br/>Code</b> | <b>Descrizione</b>            | <b>Description</b>             |
|----------------------|------------------------|-------------------------------|--------------------------------|
| 1                    | 4-108275               | LEVA ALZA TALLONI UHP         | UHP TYRE LEVER                 |
| 2                    | 2-03505                | VITE TSPEI M8X40              | SOCKET COUNTERSUNK SCREW M8X40 |
| 3                    | 4-406053               | AMMORTIZZATORE                | SHOCK ABSORBER                 |
| 4                    | 4-407458               | LIMITATORE STALLONATORE B.R.  | BEAD BREAKER STROKE-LIMITER    |
| 5                    | 3017251                | RASAMENTO D.20,3X42X0,5       | WASHER 20X42X0,5               |
| 6                    | 2-00128                | DADO ALTO M 8                 | HIGH NUT M 8                   |
| 7                    | 5-402113               | PERNO ARRESTO                 | STOP PIN                       |
| 8                    | 4-406067               | IMPUGNATURA SFERICA A 4 LOBI  | HANDLE                         |
| 9                    | 4-406100               | PERNO FULCRO BRACCIO STALLON. | BEAD BREAKER FULCRUM PIN       |
| 10                   | 2-02754                | VITE TCIC M6X20               | CROSS PAN HEAD SCREW M6X20     |
| 11                   | 4-406052               | DISTANZIALE SUPPORTO VASO     | SPACER FOR TYRE PASTE HOLDER   |
| 12                   | 4-407537               | DISTANZIALE                   | SPACER                         |

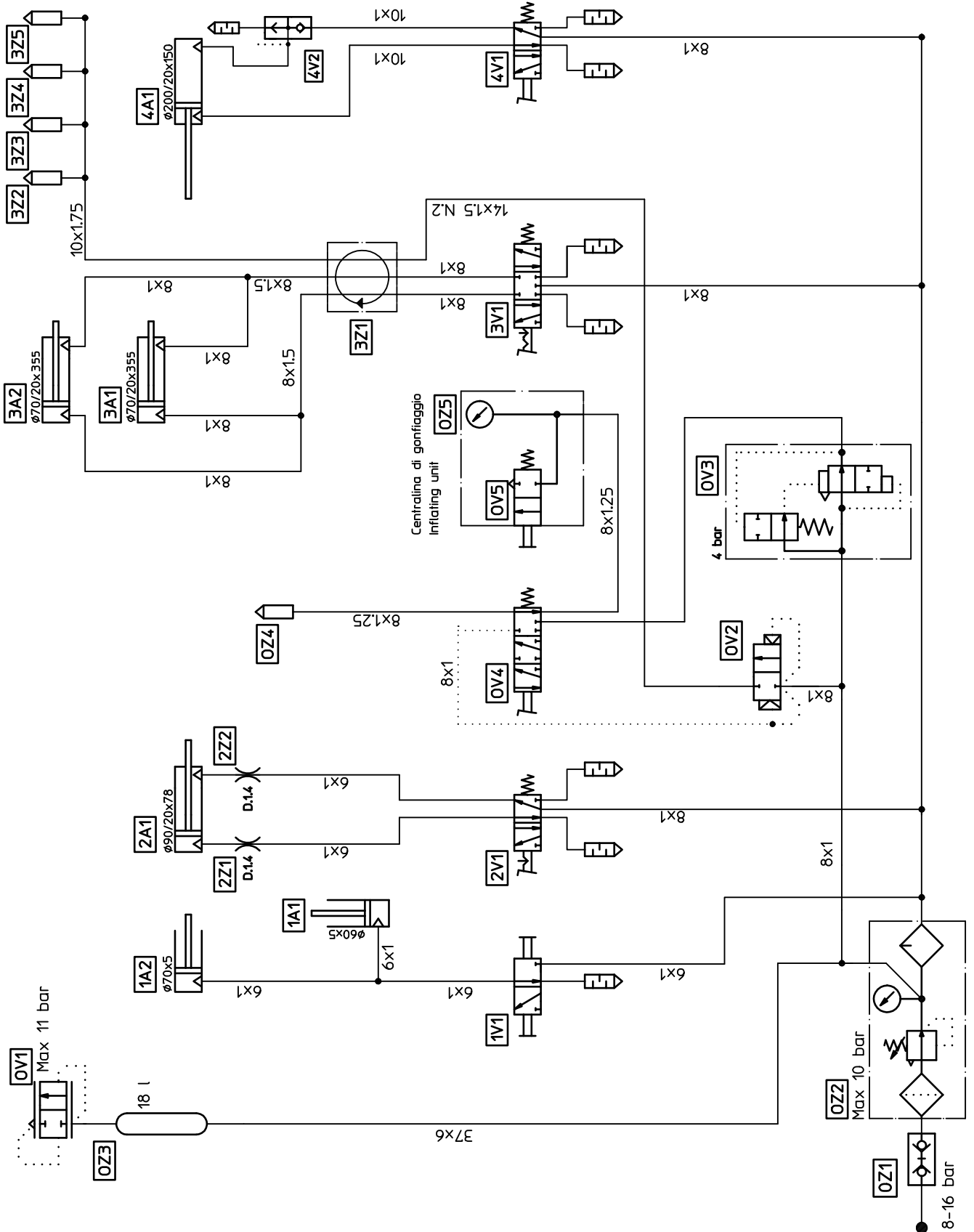
# SCHEMA PNEUMATICO

# PNEUMATIC DIAGRAM



|  |                |   |
|--|----------------|---|
| Valvola gonfiaggio rapido                | <b>0V1</b>     | Quick inflating valve                             |
| Pistoletta gonfiaggio                    | <b>0V2</b>     | Tyre inflating gun-&-gauge                        |
| Innesto rapido maschio                   | <b>0Z1</b>     | Quick union                                       |
| Gruppo filtro regolatore + lubrificatore | <b>0Z2</b>     | Water separator and press. regulator + lubricator |
| Testina di gonfiaggio                    | <b>0Z3</b>     | Inflating head                                    |
| Cilindro bloccaggio asta verticale       | <b>1A1</b>     | Vertical arm locking cylinder                     |
| Cilindro bloccaggio asta orizzontale     | <b>1A2</b>     | Horizontal arm locking cylinder                   |
| Maniglia comando                         | <b>1V1</b>     | Handle control                                    |
| Cilindro rotazione palo                  | <b>2A1</b>     | Rotation arm cylinder                             |
| Valvola braccio automatico completa      | <b>2V1</b>     | Complete automatic arm valve                      |
| Strozzatore ø 1.4                        | <b>2Z1-2Z2</b> | Narrowing piece ø 1.4                             |
| Cilindro autocentrante                   | <b>3A1-3A2</b> | Self-centering cylinder                           |
| Valvola autocentrante                    | <b>3V1</b>     | Self-centering valve                              |
| Raccordo girevole                        | <b>3Z1</b>     | Rotary union assembly                             |
| Cilindro stallonatore                    | <b>4A1</b>     | Bead breaker cylinder                             |
| Valvola stallonatore                     | <b>4V1</b>     | Bead breaker valve                                |
| Valvola scarico rapido                   | <b>4V2</b>     | Rapid discharge valve                             |

**VERSIONE GP - GP VERSION**





|  |                |   |
|--|----------------|---|
| Valvola di sicurezza ¼"                  | <b>0V1</b>     | Safety valve ¼"                                   |
| Valvola di intallatura                   | <b>0V2</b>     | Bead seating valve                                |
| Valvola gonfiaggio rapido                | <b>0V3</b>     | Quick inflating valve                             |
| Valvola comando gp                       | <b>0V4</b>     | GP control valve                                  |
| Pulsante                                 | <b>0V5</b>     | Push-button                                       |
| Innesto rapido maschio                   | <b>0Z1</b>     | Quick union                                       |
| Gruppo filtro regolatore + lubrificatore | <b>0Z2</b>     | Water separator and press. regulator + lubricator |
| Serbatoio                                | <b>0Z3</b>     | Air tank  |
| Testina di gonfiaggio                    | <b>0Z4</b>     | Inflating head                                    |
| Manometro                                | <b>0Z5</b>     | Pressure gauge                                    |
| Cilindro bloccaggio asta verticale       | <b>1A1</b>     | Vertical arm locking cylinder                     |
| Cilindro bloccaggio asta orizzontale     | <b>1A2</b>     | Horizontal arm locking cylinder                   |
| Maniglia comando                         | <b>1V1</b>     | Handle control                                    |
| Cilindro rotazione palo                  | <b>2A1</b>     | Rotation arm cylinder                             |
| Valvola braccio automatico completa      | <b>2V1</b>     | Complete automatic arm valve                      |
| Strozzatore ø 1.4                        | <b>2Z1-2Z2</b> | Narrowing piece ø 1.4                             |
| Cilindro autocentrante                   | <b>3A1-3A2</b> | Self-centering cylinder                           |
| Valvola autocentrante                    | <b>3V1</b>     | Self-centering valve                              |
| Raccordo girevole                        | <b>3Z1</b>     | Rotary union assembly                             |
| Scorrevole                               | <b>3Z2-3Z5</b> | Slide   |
| Cilindro stallonatore                    | <b>4A1</b>     | Bead breaker cylinder                             |
| Valvola stallonatore                     | <b>4V1</b>     | Bead breaker valve                                |
| Valvola scarico rapido                   | <b>4V2</b>     | Rapid discharge valve                             |

# NOTE

# NOTE

Code 4-123727

Production date : 02 / 2018

Il disegno è realizzato con tutti i particolari ma solo quelli codificati sono forniti come ricambi. L'Azienda si riserva la facoltà di apportare modifiche senza preavviso.

The drawing shows all parts but only the coded parts are supplied as spares. The Company reserves the right to make modifications without prior notice.